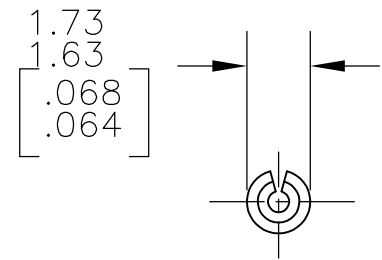
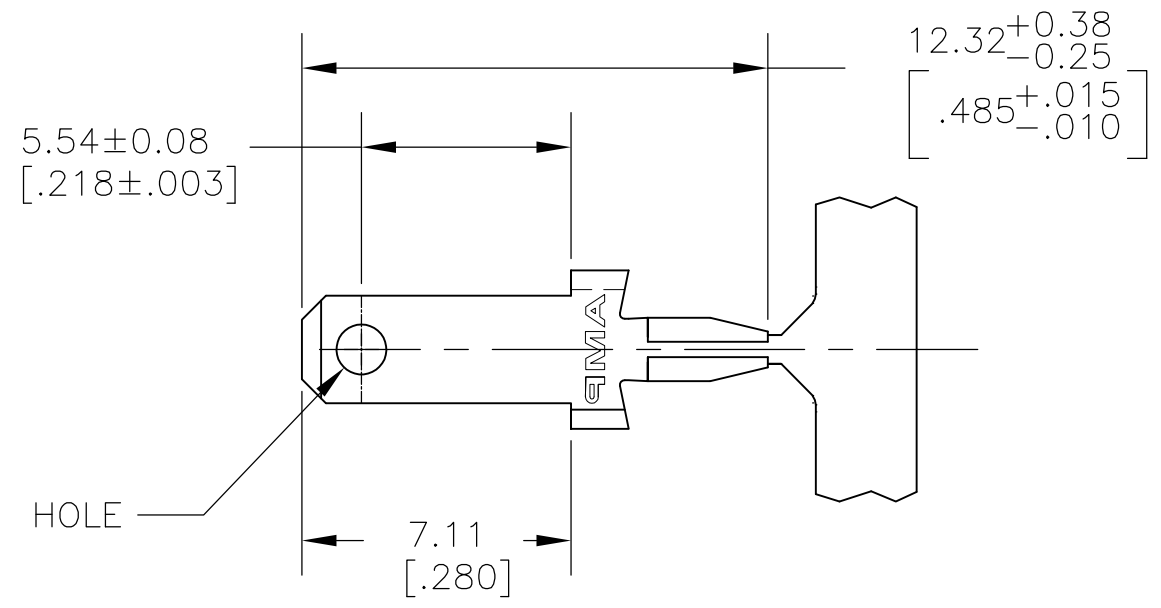
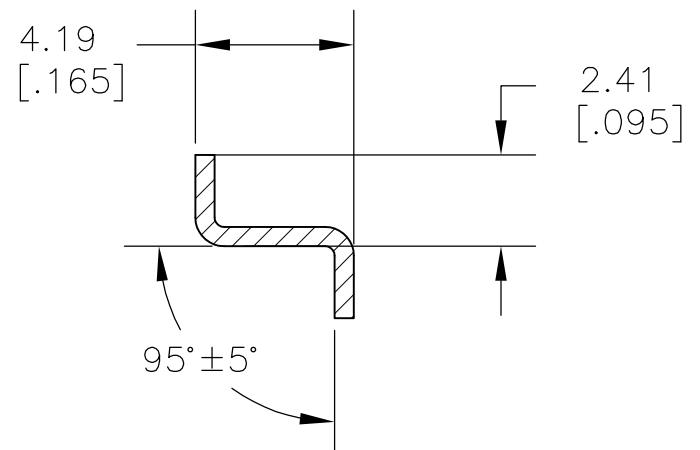
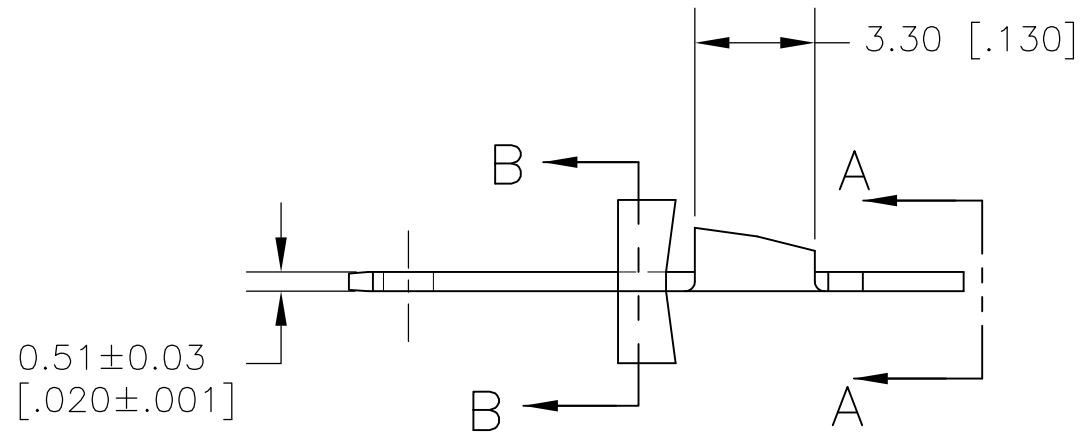


THIS DRAWING IS UNPUBLISHED. RELEASED FOR PUBLICATION
 © COPYRIGHT - By - ALL RIGHTS RESERVED.

LOC	DIST	REVISIONS					
AF	50	P	LTR	DESCRIPTION	DATE	DWN	APVD
		W1		REVISED PER ECR-14-004075	24MAR2014	NK	RL



VIEW A-A



SECTION B-B

- 1 CONTINUOUS STRIP ON REELS
- △2 0.00381 [.000150] MIN TIN PL OVER 0.00254 [.000100] MIN COPPER PL.
- 3 PARTS TO MEET AMP SOLDERABILITY SPEC 109-11-2, MIDLY ACTIVATED ROSIN.
- 4 PRINTED CIRCUIT BOARD THK IS 0.81/2.36 [.032/.093] THK WITH A HOLE DIA OF 1.70/1.60 [.067/.063].
- △5 FINISH LEAD-FREE, MATTE TIN PLATING OVER COPPER OR NICKEL UNDER-PLATING.

△5	61968-6
△2	61968-1
FINISH	PART NO.

THIS DRAWING IS A CONTROLLED DOCUMENT.		DWN	JR RUTH	22FEB01	STE TE Connectivity												
DIMENSIONS: MM [INCHES]		CHK	MS FEHER	22FEB01													
TOLERANCES UNLESS OTHERWISE SPECIFIED:		APVD	N DEIBERT	22FEB01													
<table border="0"> <tr><td>0 PLC</td><td>± -</td></tr> <tr><td>1 PLC</td><td>± -</td></tr> <tr><td>2 PLC</td><td>± 0.25 [.010]</td></tr> <tr><td>3 PLC</td><td>± -</td></tr> <tr><td>4 PLC</td><td>± -</td></tr> <tr><td>ANGLES</td><td>± -</td></tr> </table>		0 PLC	± -	1 PLC		± -	2 PLC	± 0.25 [.010]	3 PLC	± -	4 PLC	± -	ANGLES	± -	PRODUCT SPEC	NAME	
0 PLC	± -																
1 PLC	± -																
2 PLC	± 0.25 [.010]																
3 PLC	± -																
4 PLC	± -																
ANGLES	± -																
MATERIAL	BRASS	FINISH	△2	APPLICATION SPEC	2.79 [.110] SERIES												
		WEIGHT	-		SIZE	A3											
		CUSTOMER DRAWING		SCALE	5:1	CAGE CODE	00779										
				DRAWING NO	G-61968		RESTRICTED TO	-									
				SHEET	1 OF 1		REV	W1									