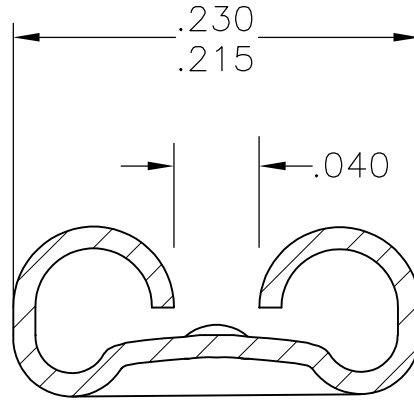
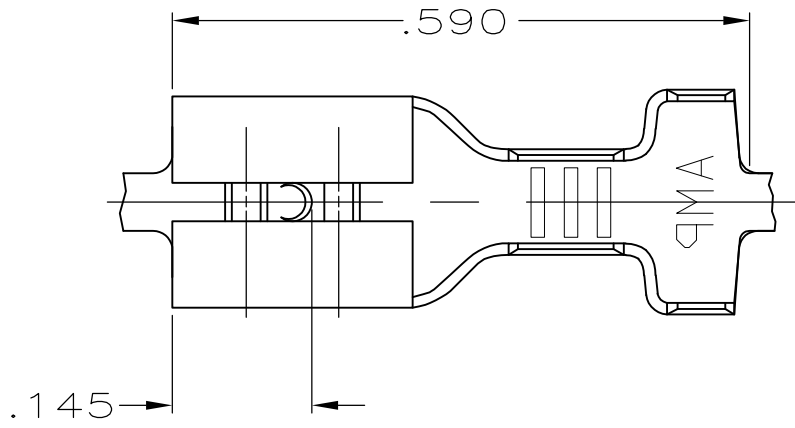


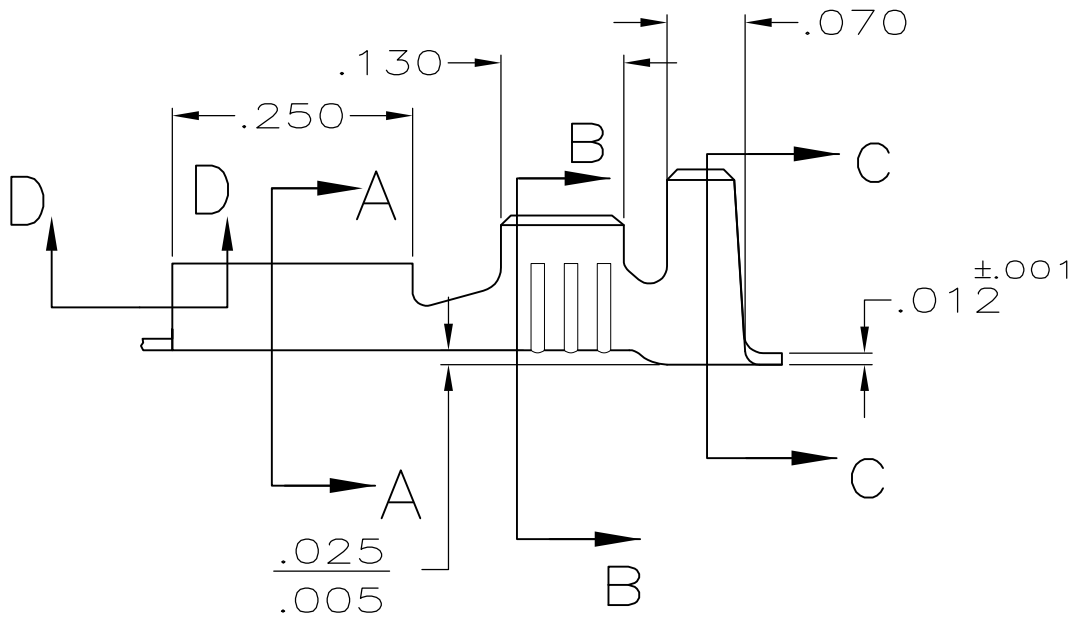
THIS DRAWING IS UNPUBLISHED. RELEASED FOR PUBLICATION  
 © COPYRIGHT - By - ALL RIGHTS RESERVED.

LOC	DIST	REVISIONS			
P	LTR	DESCRIPTION	DATE	DWN	APVD
	P	REVISED PER ECR-12-013459	28NOV2012	KH	PD

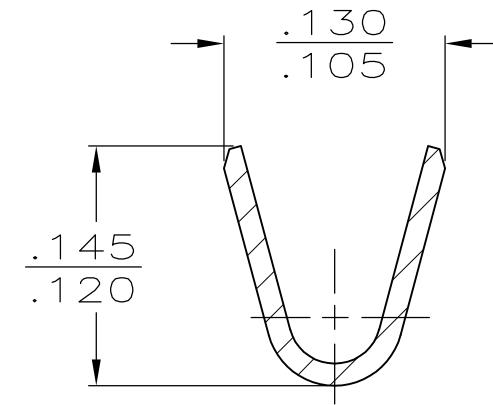
- CONTINUOUS STRIP ON REELS
- WIRE SIZE IS #18-#16 OR TWO #18'S.
- INSULATION RANGE IS .105-.210 OR TWO AT .105 MAX.
- MATING TAB THK IS .032±.001.



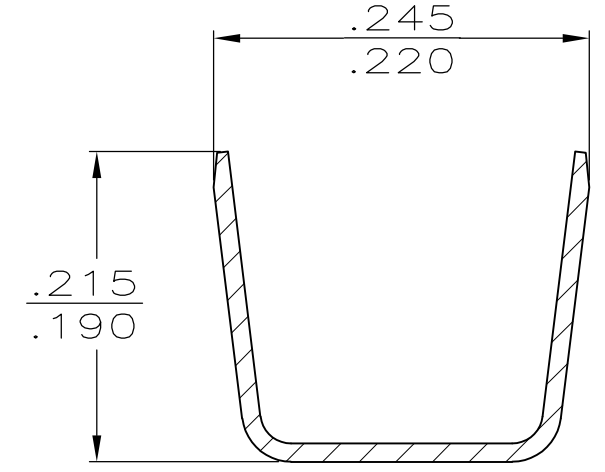
SECTION A-A  
SCALE 8:1



SECTION D-D



SECTION B-B  
SCALE 8:1



SECTION C-C  
SCALE 8:1

SWAGE ON  
61945-1 ONLY

.000150 MIN NICKEL	T2 STEEL	61945-2
TIN	BRASS	61945-1
FINISH	MATERIAL	PART NO.

F	.210	.188	F	.100	.055	16
TYPE	WIDTH	STRIP LENGTH ±.015	TYPE	WIDTH	#.002 HEIGHT	WIRE
INSUL BARREL CRIMP			WIRE BARREL CRIMP			

THIS DRAWING IS A CONTROLLED DOCUMENT.  
 DIMENSIONS: INCHES  
 TOLERANCES UNLESS OTHERWISE SPECIFIED:  
 0 PLC ± -  
 1 PLC ± -  
 2 PLC ± -  
 3 PLC ± .015  
 4 PLC ± -  
 ANGLES ± -  
 MATERIAL: SEE TABLE  
 FINISH: SEE TABLE

DWN: JR RUTH 8/21/91  
 CHK: MS FEHER 8/21/91  
 APVD: C MEYERS 8/21/91  
 PRODUCT SPEC: -  
 APPLICATION SPEC: -  
 WEIGHT: -  
 CUSTOMER DRAWING

**STE** TE Connectivity

RECEPTACLE, FASTON, .187 SERIES

SIZE	CAGE CODE	DRAWING NO	RESTRICTED TO
A3	00779	C-61945	-

SCALE: 5:1 SHEET: 1 OF 1 REV: P