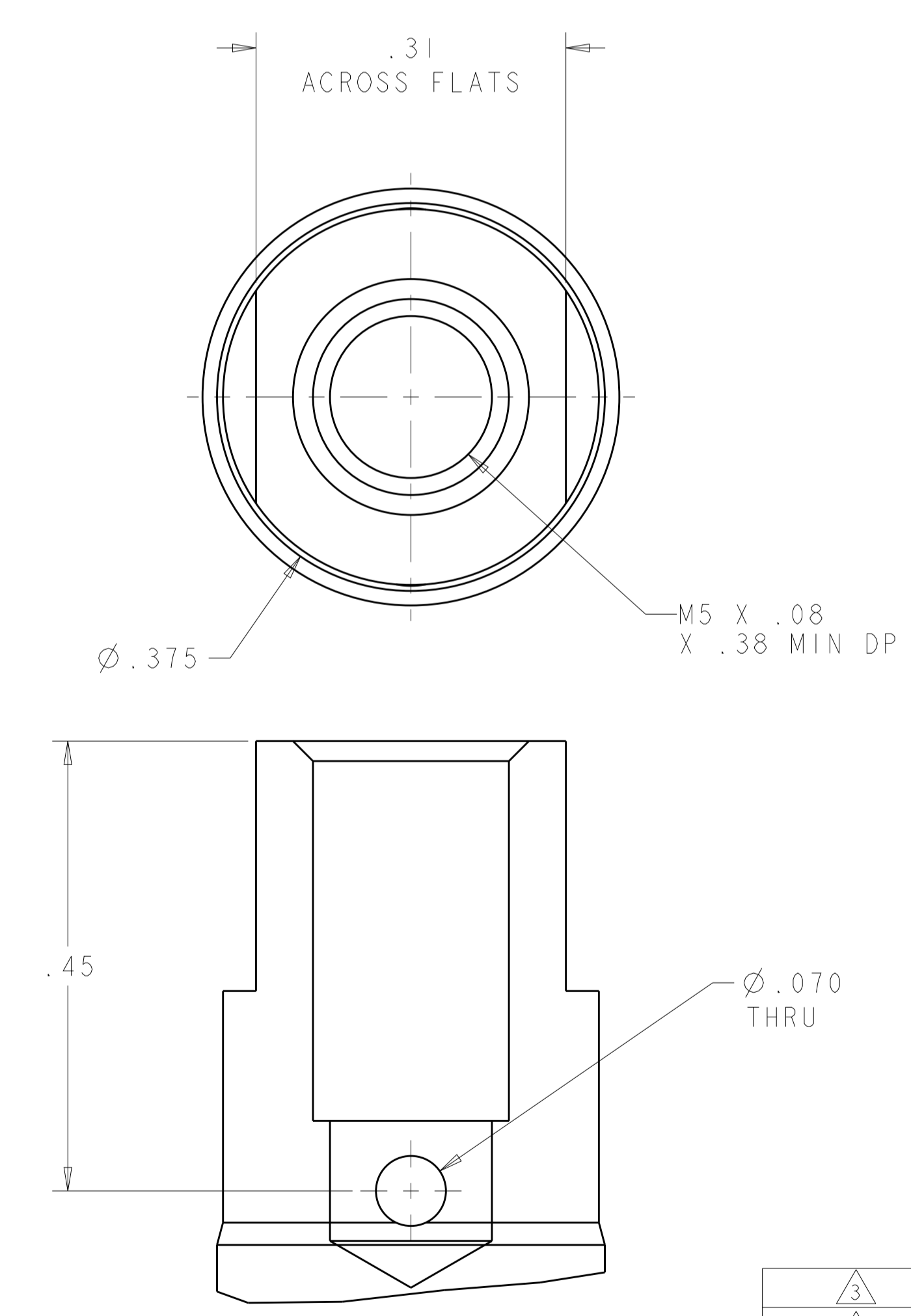
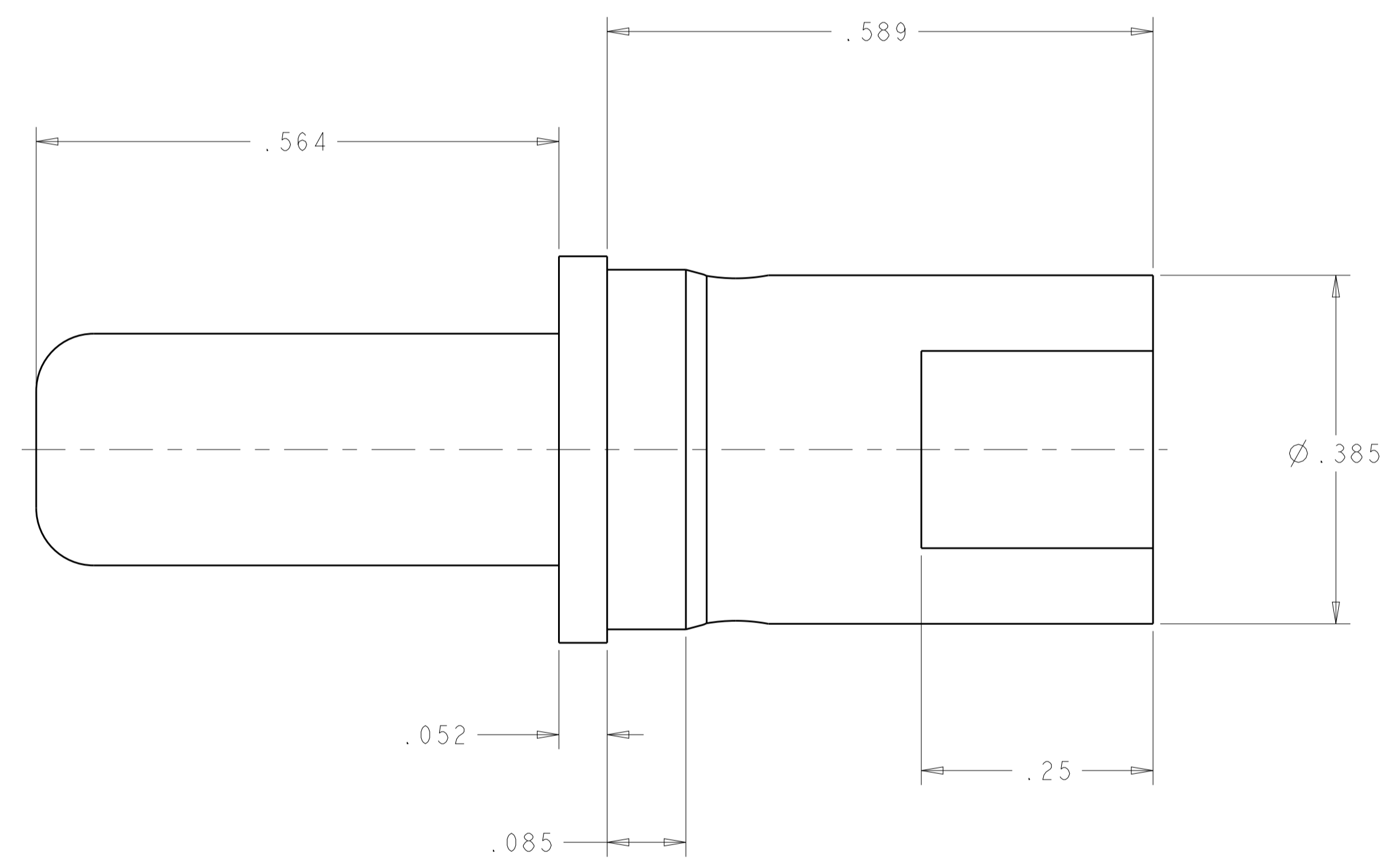
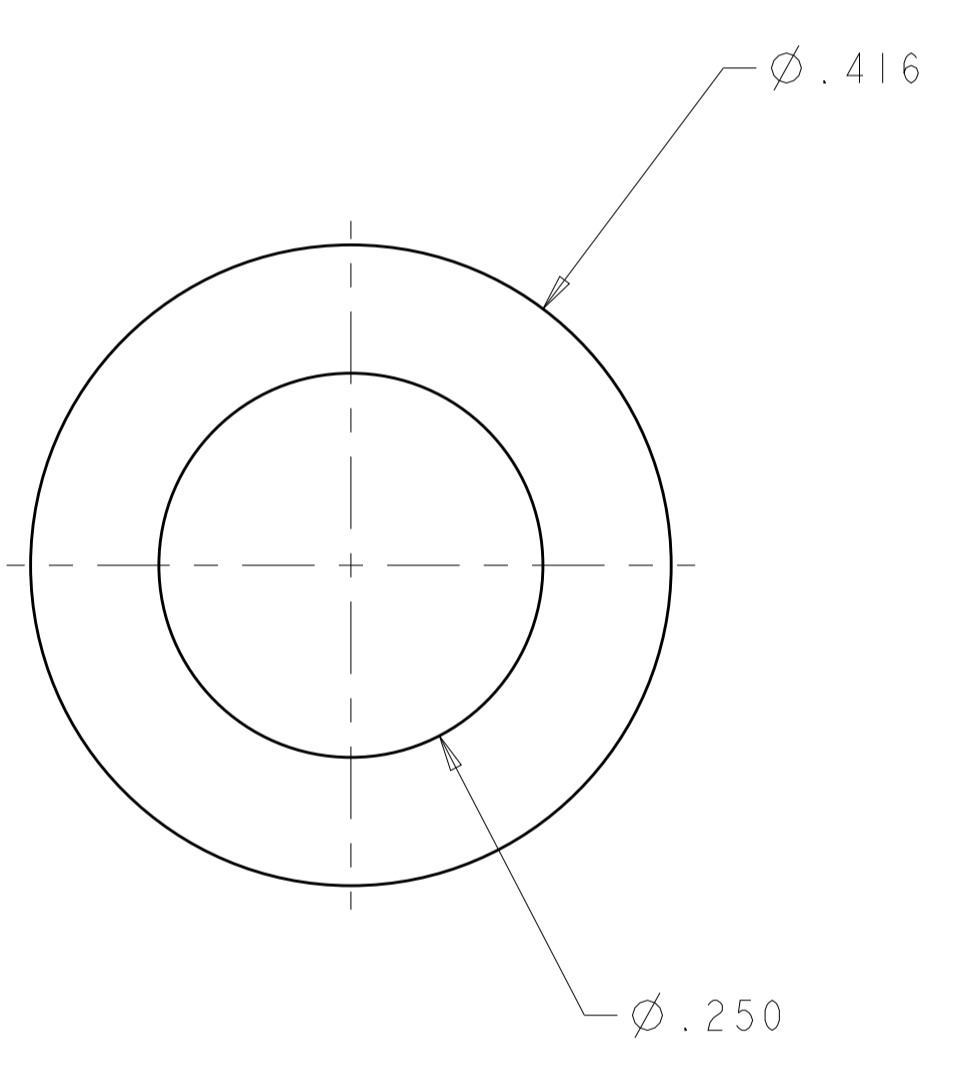


LOC		DIST		REVISONS			
P	LTN	DESCRIPTION	DATE	DMN	APVD		
D		REVISED PER ECO-12-017092	27SEP2012	KH	DO		

- MATERIAL: COPPER ALLOY
- SILVER PLATE .000200 MIN THK. OVER NICKEL PLATE .000050 MIN THK. TARNISH RESISTANT COATING OVER ALL
- GOLD PLATE .000030 MIN THK. OVER NICKEL PLATE .000050 MINIMUM THK.
- PART NUMBER CHANGES AND OR DESIGN CHANGES AFFECTING ITEM INTERCHANGEABILITY REQUIRE TYCO ELECTRONICS APPROVAL AND AUTHORIZATION BY REVISION TO THIS DRAWING.



3	1766283-2
2	1766283-1
FINISH	PART NO

THIS DRAWING IS A CONTROLLED DOCUMENT.		DMN: HM VAN SCOY 26MAR2008	TE Connectivity	
DIMENSIONS: INCHES		CHK: D. DEFLAUGH 26MAR2008	NAME: CONTACT, PIN, .250 DIA, M5 X .08 INT. THD. TAPPED DRAWER, DOMINO	
TOLERANCES UNLESS OTHERWISE SPECIFIED:		APVD: D. DEFLAUGH 26MAR2008	SIZE: A1	
0 PLC ± .01	1 PLC ± .01	PRODUCT SPEC	CAGE CODE: 1766283	
2 PLC ± .01	3 PLC ± .003	APPLICATION SPEC	DRAWING NO: 1766283	
4 PLC ± .01	ANGLES ± .5°	WEIGHT	RESTRICTED TO: -	
MATERIAL: -	FINISH: -	CUSTOMER DRAWING	SCALE: 4:1	SHEET 1 OF 1 REV D