



RB500V-40

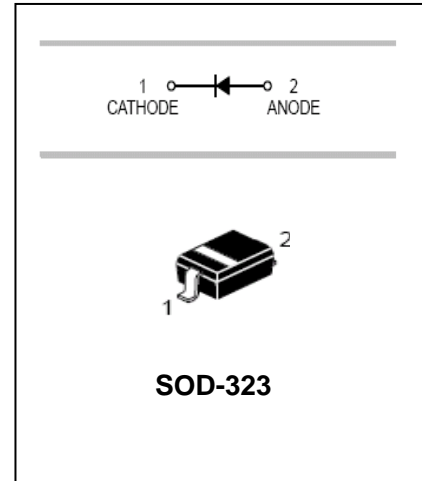
Schottky Barrier Diode

FEATURES

- Small surface mountong type
- Low I_R
- High reliability



Lead-free



SOD-323

APPLICATIONS

- Low current rectification

ORDERING INFORMATION

Type No.	Marking	Package Code
RB500V-40	2	SOD-323

MAXIMUM RATING @ $T_a=25^\circ\text{C}$ unless otherwise specified

Parameter	Symbol	Limits	Unit
Peak reverse voltage	V_{RM}	45	V
DC reverse voltage	V_R	40	V
Mean rectifying current	I_O	0.1	A
Peak forward surge current	I_{FSM}	1	A
Junction temperature	T_j	125	$^\circ\text{C}$
Storage temperature	T_{stg}	-40 to+125	$^\circ\text{C}$

ELECTRICAL CHARACTERISTICS @ $T_a=25^\circ\text{C}$ unless otherwise specified

Parameter	Symbol	Min.	Typ.	Max.	Unit	Conditions
Forward voltage	V_F			0.45	V	$I_F=10\text{mA}$
Reverse current	I_R			1	μA	$V_R=10\text{v}$
Capacitance between terminals	C_T		6		pF	$V_R=10\text{V}, f=1\text{MHz}$

Schottky Barrier Diode

TYPICAL CHARACTERISTICS @ Ta=25°C unless otherwise specified

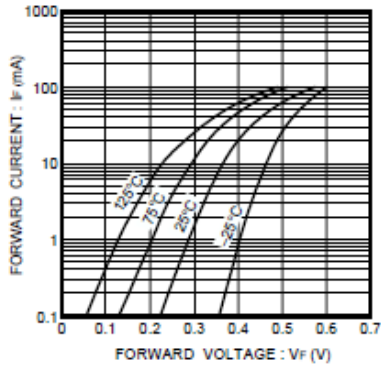


Fig. 1 Forward characteristics

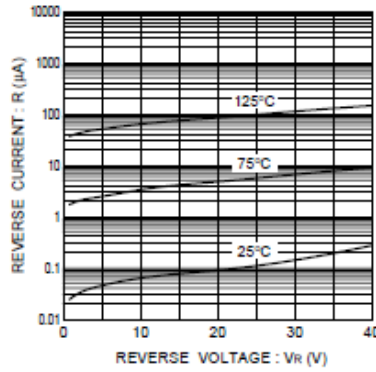


Fig. 2 Reverse characteristics

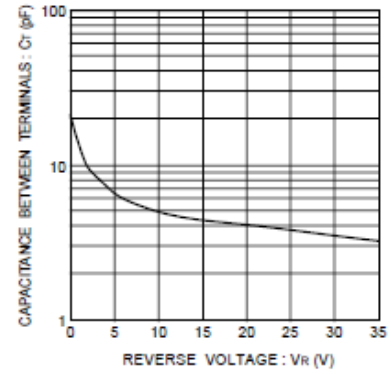


Fig. 3 Capacitance between terminals characteristics

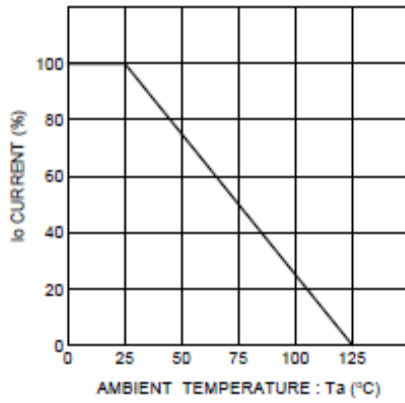


Fig. 4 Derating curve
(mounting on glass epoxy PCBs)



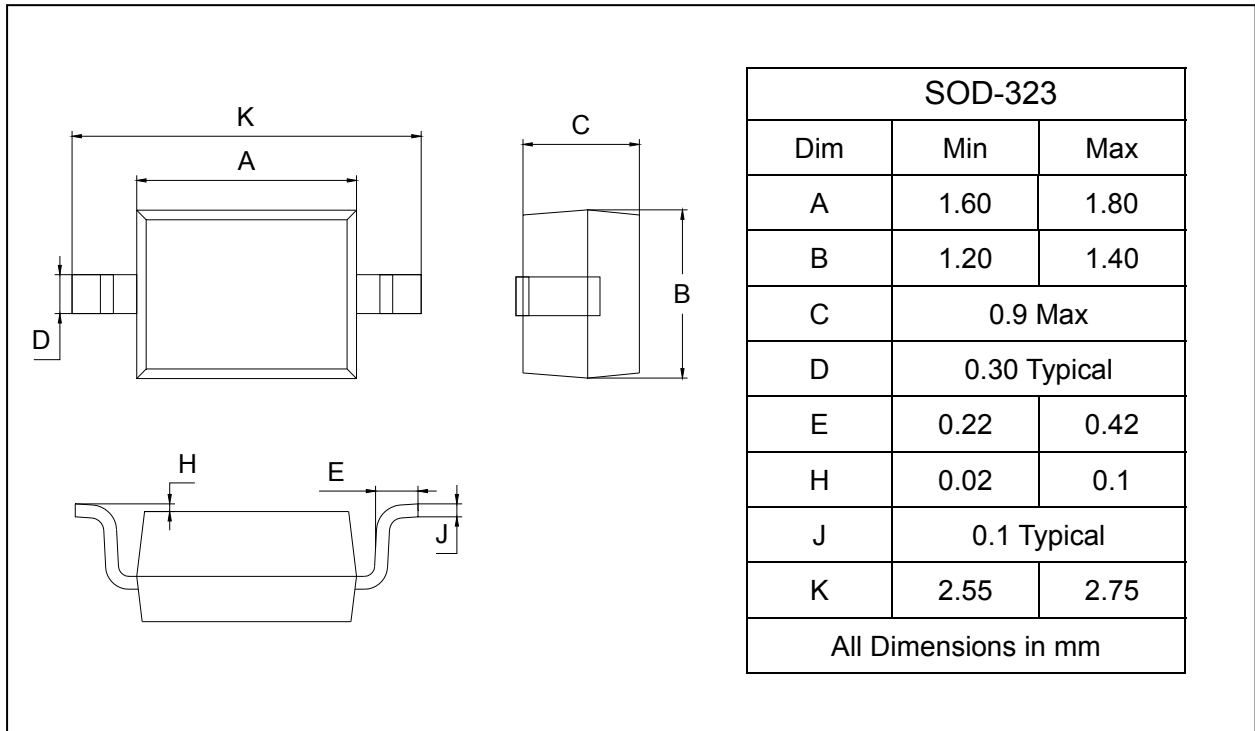
RB500V-40

Schottky Barrier Diode

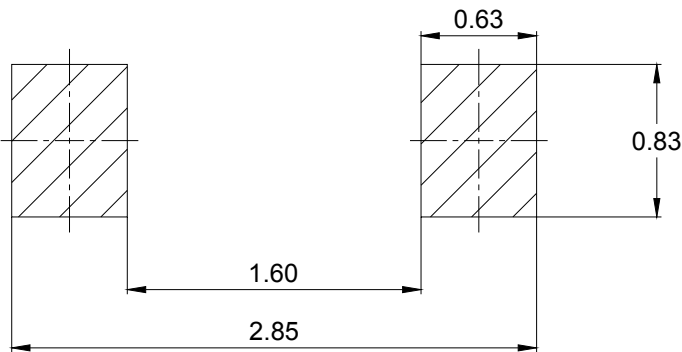
PACKAGE OUTLINE

Plastic surface mounted package

SOD-323



SOLDERING FOOTPRINT



Unit : mm

PACKAGE INFORMATION

Device	Package	Shipping
RB500V-40	SOD-323	3000/Tape&Reel