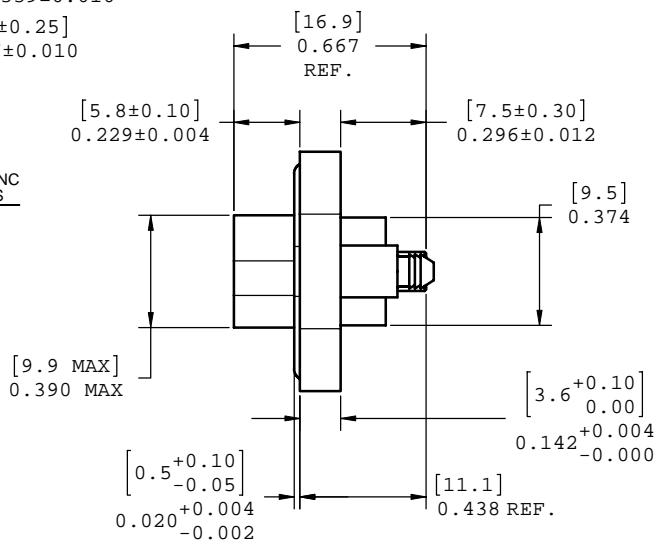
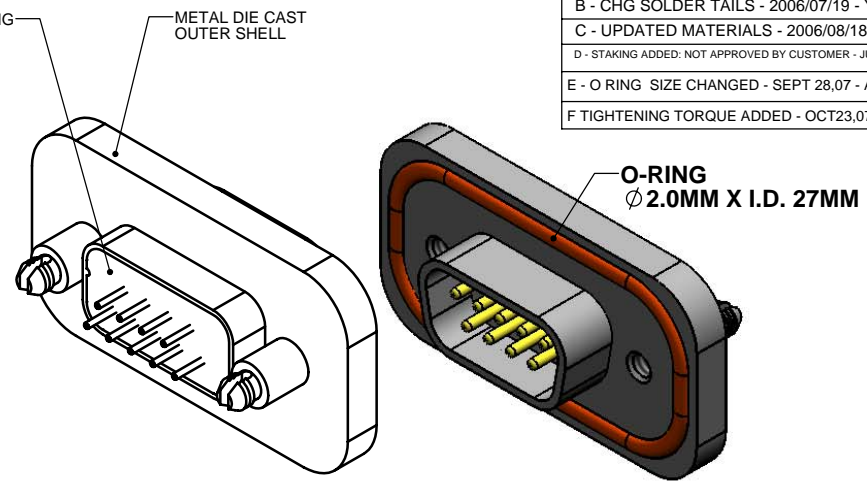
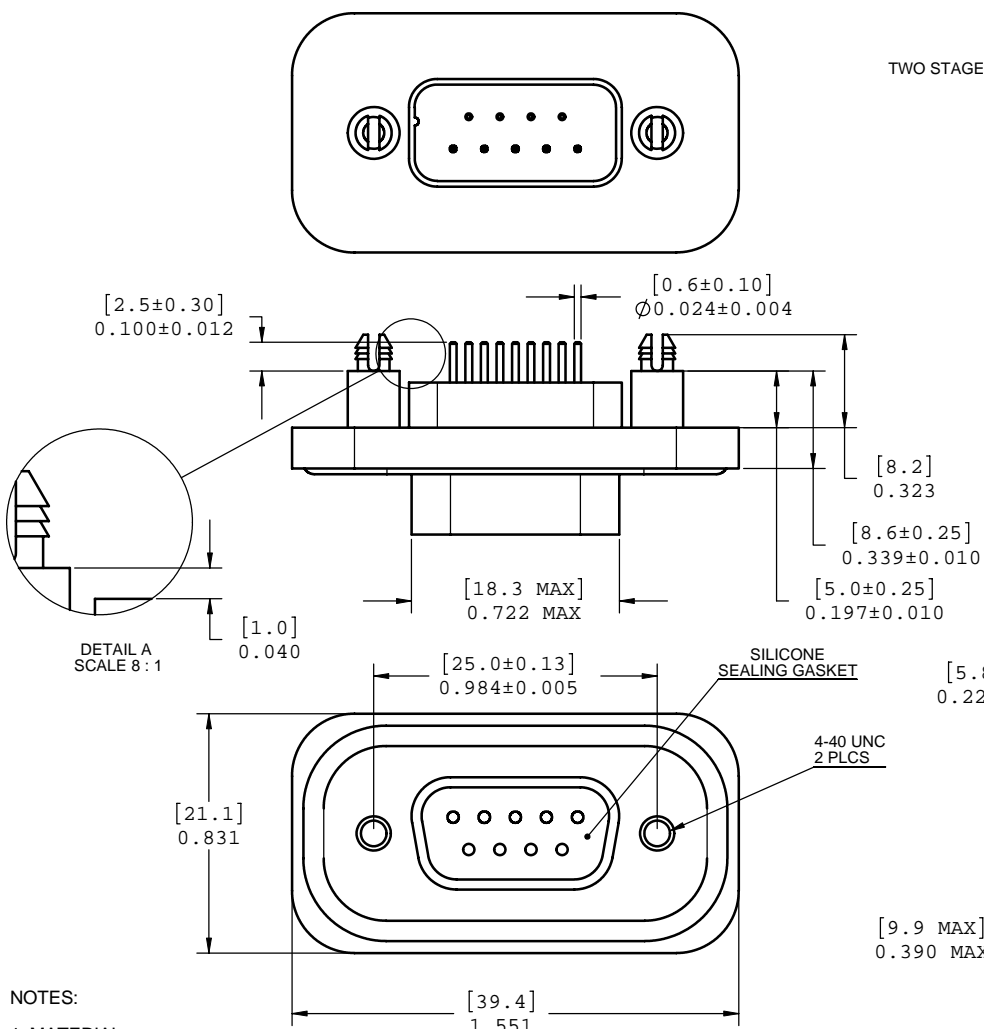


| |
|--|
| REV - DESCRIPT - DATE - APRVD |
| A - UPDATED NOTES - 2006/06/16 - YK. |
| B - CHG SOLDER TAILS - 2006/07/19 - YK. |
| C - UPDATED MATERIALS - 2006/08/18 - YK. |
| D - STAKING ADDED: NOT APPROVED BY CUSTOMER - JUNE 16,07 |
| E - O RING SIZE CHANGED - SEPT 28,07 - A.G. |
| F TIGHTENING TORQUE ADDED - OCT23,07-A.G. |



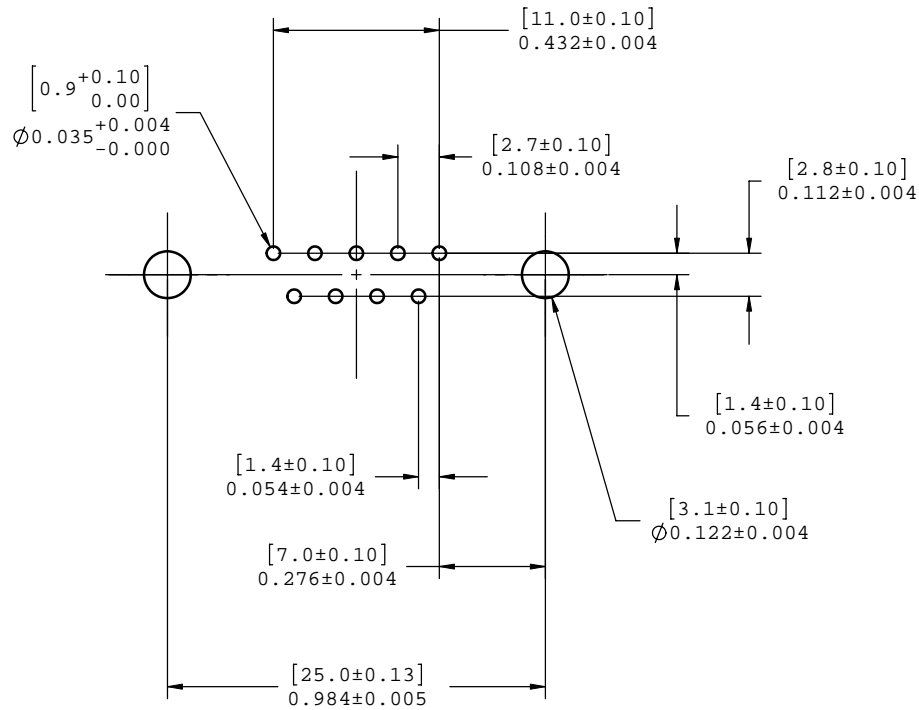
- NOTES:
- MATERIAL:
 - SHELL: ZINC ALLOY 50 MICRO INCH MINIMUM NICKEL PLATING.
 - CONTACTS: COPPER ALLOY 30 MICRO INCH GOLD OVER 50 MICRO INCH NICKEL PLATING.
 - INSULATOR: THERMOPLASTIC POLYESTER RESIN (DSM) 94V-0 FLAMMABILITY RATING.
 - GASKETS: SILICONE RUBBER S7001R, 70 DUROMETER.
 - SEALING COMPOUND: STYCAST 2651 WITH CATALYST 11
 - FEATURES: SEALED CONNECTOR IN THE MATED AND UNMATED CONDITIONS.
 - OPERATING TEMPERATURE: -40°C TO +105°C.
 - ENVIRONMENT PERFORMANCE: IP67.
 - PART IS RoHS COMPLIANT.
 - REAR SEAL TO WITHSTAND TEMPERATURE EXPOSURE OF SOLDER BATH 265°C FOR 8 SEC & SOLDER PREHEAT 150°C FOR 180.
 - SEALED TO WITH PRESSURE UP TO 5 PSI AFTER HIGH TEMPERATURE EXPOSURE.
 - RECOMMENDED TORQUE FOR SCREW TIGHTENING:
 - STEEL SCREW WITH MORE THAN.090" OF THREAD ENGAGEMENT: 4.0 TO 5.75 IN-LBS
 - BRASS SCREW : 3.1 TO 4.5 IN-LBS

AMPHENOL PART NUMBER: **MDB-E09PE-860**

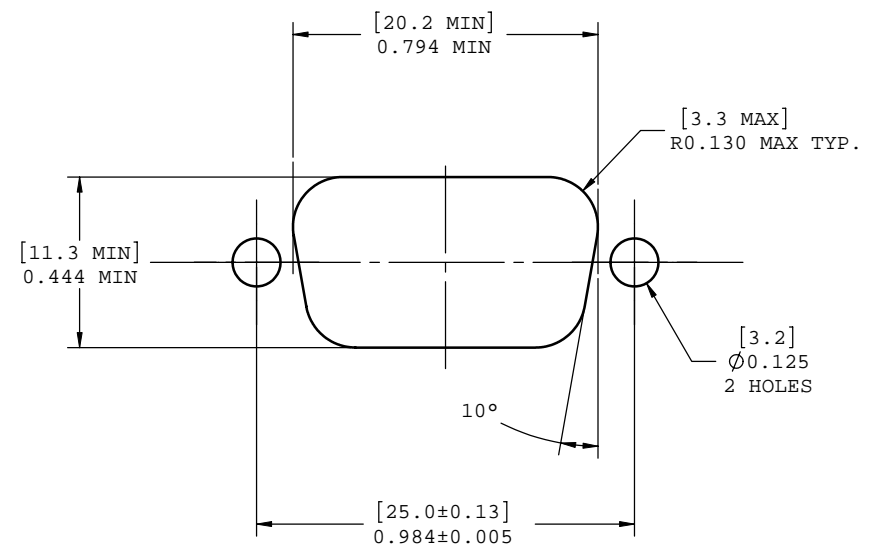


| | | | | | |
|---|--------------------|------------|---------------------------|--------------------------|--------------|
| UNLESS OTHERWISE SPECIFIED DIMENSIONS ARE IN MILLIMETER TOLERANCES ARE: DECIMALS .XX ±.10 .X ±.25 ANGLES ±1° | APPROVALS | DATE | Amphenol Canada Corp. | | |
| | DRAWN Y.KUZYK | 2006/07/24 | | | |
| MATERIAL AND FINISH | DESIGNED S.SEMENOV | 2006/07/24 | TITLE 09 PIN CONNECTOR | | |
| | CHECKED | | | | |
| REF. | QA APP'D | | SIZE C | DWG. NO. P-MDB-E09PE-860 | REV. F |
| | CODE IDENT. NO. | | SCALE 3:1 | PROJECT MDB | SHEET 1 OF 2 |
| | IE APP'D | | | | |
| | DWG APP'D | 2006/07/24 | | | |

| |
|--------------------------------|
| REV - DESCRIPT - DATE - APPRVD |
| |
| |
| |



PCB LAYOUT



EXISTING PANEL CUTOUT

DO NOT SCALE DRAWING
 THIS DOCUMENT CONTAINS PROPRIETARY INFORMATION AND SUCH INFORMATION MAY NOT BE DISCLOSED TO OTHERS FOR ANY PURPOSE OR USED FOR MANUFACTURING PURPOSES WITHOUT PERMISSION FROM AMPHENOL CANADA CORP.



| | | | | | | |
|---|--|-----------------------|------------|-------------------------------|-----------------|--------|
| UNLESS OTHERWISE SPECIFIED DIMENSIONS ARE IN MILLIMETER TOLERANCES ARE: DECIMALS ANGLES .XX ±.10 ± 1° .X ±.25 | | APPROVALS | DATE | Amphenol Canada Corp. | | |
| | | DRAWN Y.KUZYK | 2006/07/24 | | | |
| MATERIAL AND FINISH | | DESIGNED S.SEMENOV | 2006/07/24 | TITLE 09 PIN CONNECTOR | | |
| | | CHECKED | | | | |
| REF. | | QA APP'D | | SIZE | DWG. NO. | REV. |
| | | IE APP'D | | C | P-MDB-E09PE-860 | F |
| CODE IDENT. NO. | | DWG APP'D | 2006/07/24 | SCALE | PROJECT | SHEET |
| | | | | 4:1 | MDB | 2 OF 2 |

