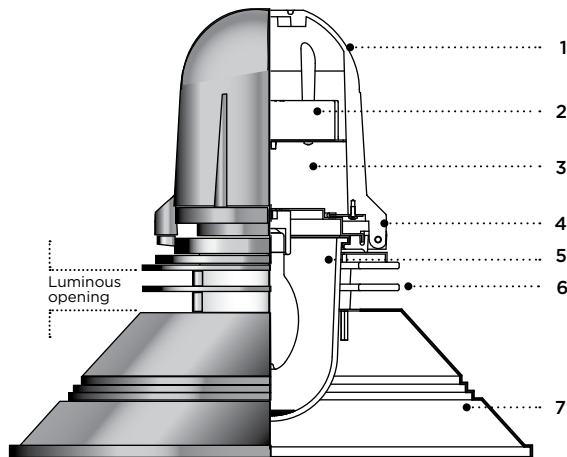


TYPE: QUANTITY: PROJECT:

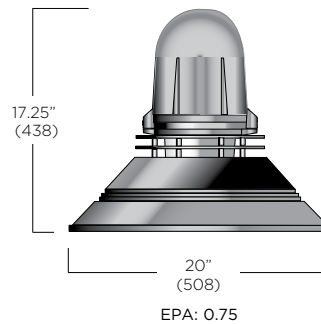
CATALOG NUMBER:

 FIXTURE WATTAGE VOLTAGE FINISH OPTION OPTION OPTION OPTION



- 1- Cast aluminum ballast housing.
- 2- Universal ballast tray with twist lock design.
- 3- Sealed and isolated lamp compartment.
- 4- Housing/shade assembly hinge mechanism.
- 5- Borosilicate prismatic heavy glass diffuser.
- 6- Set of cast aluminum louver rings.
- 7- Structurally reinforced perimeter aluminum shade. Inner surface is standard white enamel for increased light performance.

SR360T



MATERIALS

Scirocco is made of corrosion resistant 356 aluminum alloy with a copper (CU) content of less than 0.1%. The top cast aluminum housing is designed with a hinged mechanism.

The hard aluminum shade assembly is designed with a set of perimeter reinforcement ribs. The inner surface is standard white enamel for higher light efficiency.

The lower optical assembly includes sealed borosilicate prismatic glass diffuser, secured with a silicone memory retention gasket.

The diffuser is enclosed in a star ribbed one piece cast aluminum cage.

ELECTRICAL

HIGH INTENSITY DISCHARGE (H.I.D)

BALLAST Electronic 120/277V multi volt, or 347V (50-60HZ) with a minimum starting temperature of -30°C/-20°F, including end of life protection.

SOCKET Medium base pulse rated 4KV porcelain body with a nickel plated screw shell, and center contact rated 600V. Supplied with 200°C leads.

COMPACT FLUORESCENT (CFL)

BALLAST 120/277V-50/60HZ multi volt or 347V electronic ballast with end of life protection. Minimum starting temperature of 0°F/-18°C

SOCKET Thermoplastic body rated for 75W-600V. Supplied with 105°C leads.

FINISH

Five-stage preparation process including preheating of cast aluminum parts for air extraction, and an environmentally friendly alloy sealant. Polyester powder coating is applied through an electrostatic process and oven cured for long term finish.

MOUNTING

Maximum weight: 18lbs (8.2kg)

Scirocco is designed as a modular luminaire concept offering a selection of mounting arrangements for various architectural requirements.

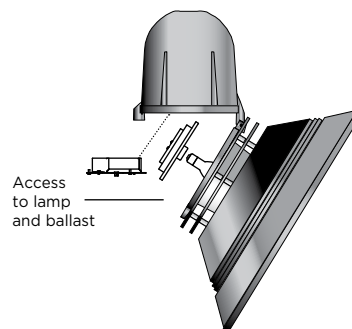
Pole, wall or suspended attachments are proposed with high quality components to meet multiple installation conditions.

CERTIFICATION

Tested to UL1598 and CSA 22.2 #250. ETL listed wet location.

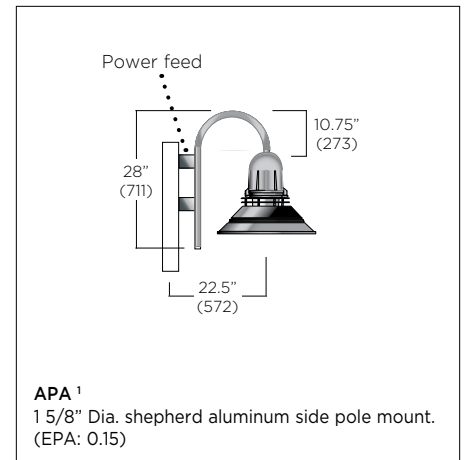
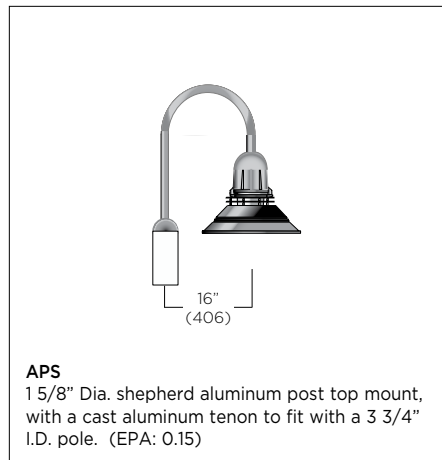
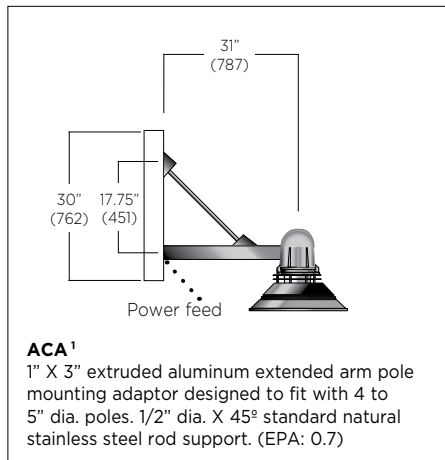
CE certification on request.

Rated IP65.

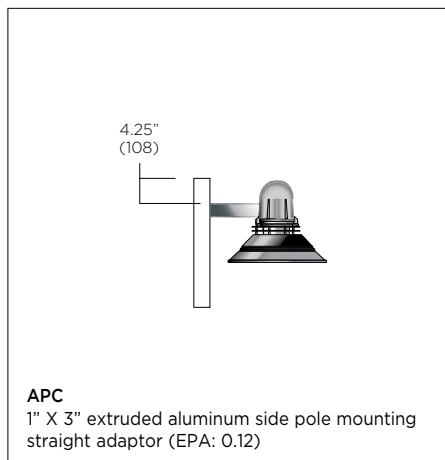


Scirocco is designed for ease of access to electrical and lighting compartment with a unique hinge mechanism concept.

POLE MOUNT



NOTE 1: PCA Pole with ACA and APA attachments require a 30" (762) tenon extension over pole nominal height. Factory installed.



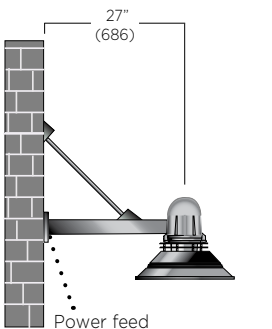
MATCHING POLE SELECTION

Ø 4"	Ø 5"	Ø 4"	Tapered Pole	Ø 4"	Height
PAA410	PAA510	PST10	-----	PSB10	10 Ft. (3 M)
PAA412	PAA512	PST12	-----	PSB12	12 Ft. (3,6 M)
PAA414	PAA514	PST14	-----	PSB14	14 Ft. (4,2 M)
PAA416	PAA516	PST16	PTA16	PSB16	16 Ft. (4,8 M)
PAA418	PAA518	-----	PTA18	PSB18	18 Ft. (5,5 M)
PAA420	PAA520	-----	PTA20	PSB20	20 Ft. (6,0 M)
-----	-----	-----	PTA25	-----	25 Ft. (7,6 M)

For additional pole details, please refer to separate pole specification sheet.
Ø 4"= 100mm Ø5"= 127mm

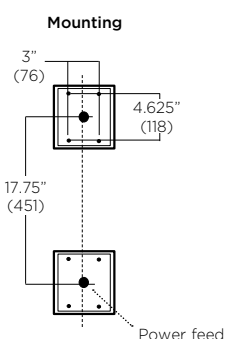
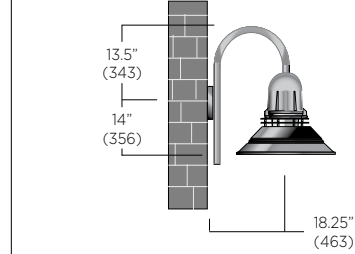


WALL MOUNT



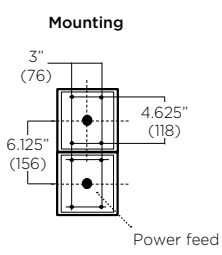
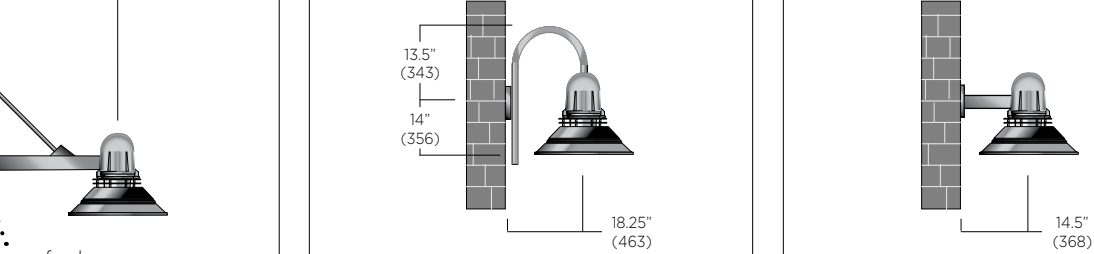
ACW
1" X 3" extruded aluminum extended arm wall mounting adaptor with cast aluminum covers and galvanized steel mounting plates. 1/2" dia. X 45° standard natural stainless steel rod support.

Mounting

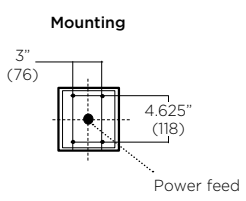
W
1 5/8" Dia. shepherd aluminum arm wall mount, with a cast aluminum wall cover and galvanized steel mounting plate.

Mounting

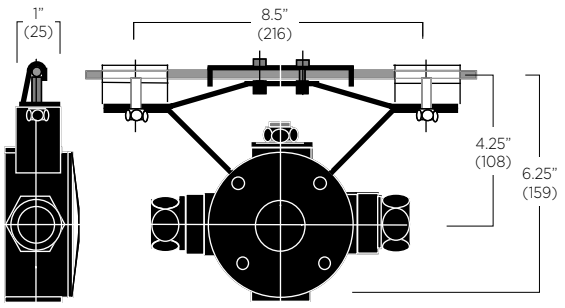



T
1" X 3" extruded aluminum wall mounting straight adaptor with cast aluminum cover and galvanized steel mounting plate.

Mounting




CATENARY SUSPENSION



CAT
Attachment includes a sealed cast aluminum connection box with (2) 1/2" sealed connectors for armored power cable (by others). Ready to accept 1/4" stainless steel suspension cable (by others).

CEILING PENDANT MOUNT



STM
36" lg. (914) stem with 45° swivel ceiling mount Ø 5/8" (16) aluminum suspension stem.
Luminaire top swivel adaptor allows to cut stem to length on site.
(Mounts over a standard 4" octagonal box with 3 1/2" C/C holes)

SPG
4/18 Silver braided power cable, with stainless steel adjustable cable.
Standard 36" lg. (914). Other lengths available on request.

SSC
Set of three stabilizer cables

