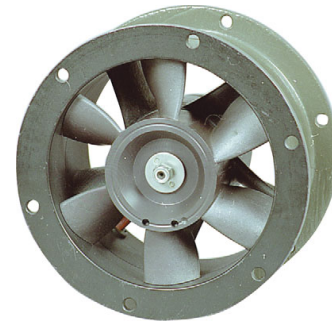


Ø 7,086" x 3,425" Ø 180 x 87 mm

Series 85M

ETRI®

400 Hz Fans

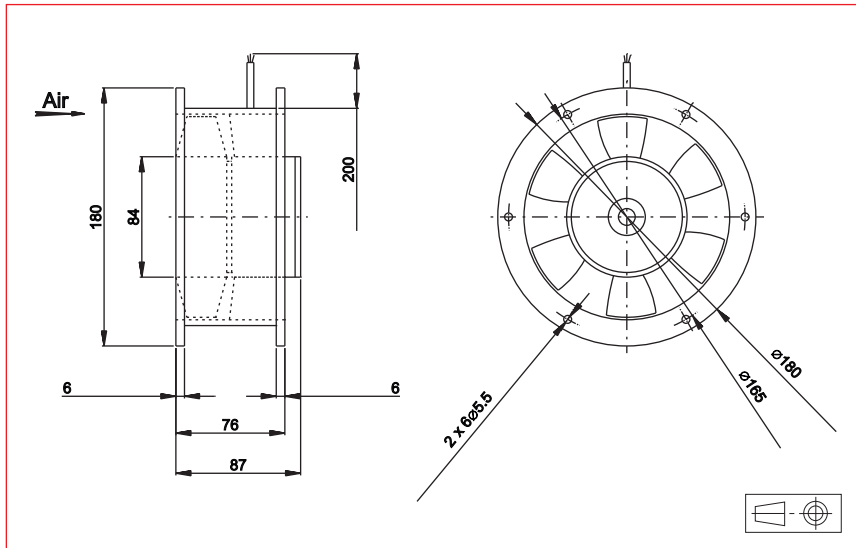
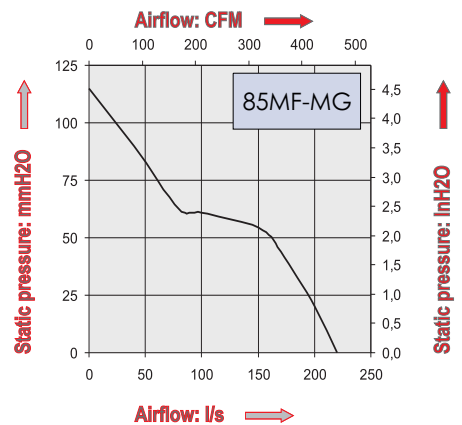


Approvals

NATO codification (not on all part numbers, please consult the factory for more detailed information)

Life expectancy

L-10 LIFE AT 40°C:
25 000 hours



400 Hz Motor

Housing material: aluminium
Impeller material: aluminium
Weight: 2,1 kg
Bearing system: ball bearings

Connection: flying leads

Part Number	Nominal voltage	Airflow		Noise level	Nominal speed	Phases	Capacitor	Input power	Nominal Current	Starting Current	Operating temperature	
	V	l/s	Cfm	dB(A)	RPM		(not included)		µF	W	mA	mA
85MF0160C13	200	220	466,2	83	7600	3		205	1100	3600	-10	70
85MF0162C13	115	220	466,2	83	7600	3		205	1900	6200	-10	70
85MG0160C13	200	220	466,2	82	7600	1	1	230	1150	2400	-10	70
85MG0162C13	115	220	466,2	82	7600	1	3,2	230	2000	4000	-10	70

Additional versions:
Salt spray protected - Shock and vibration protected - Thermally protected