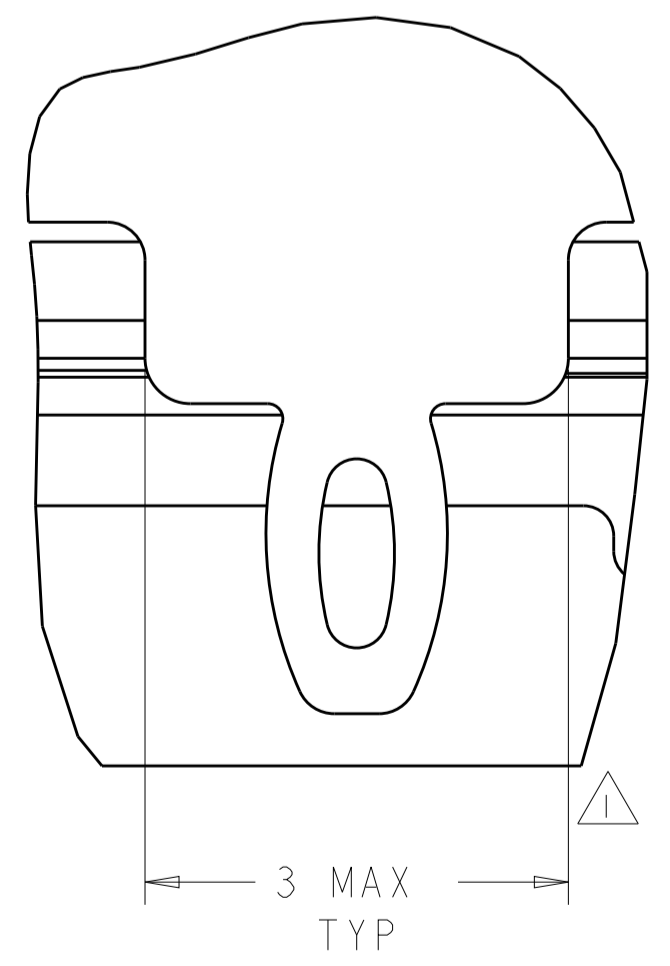
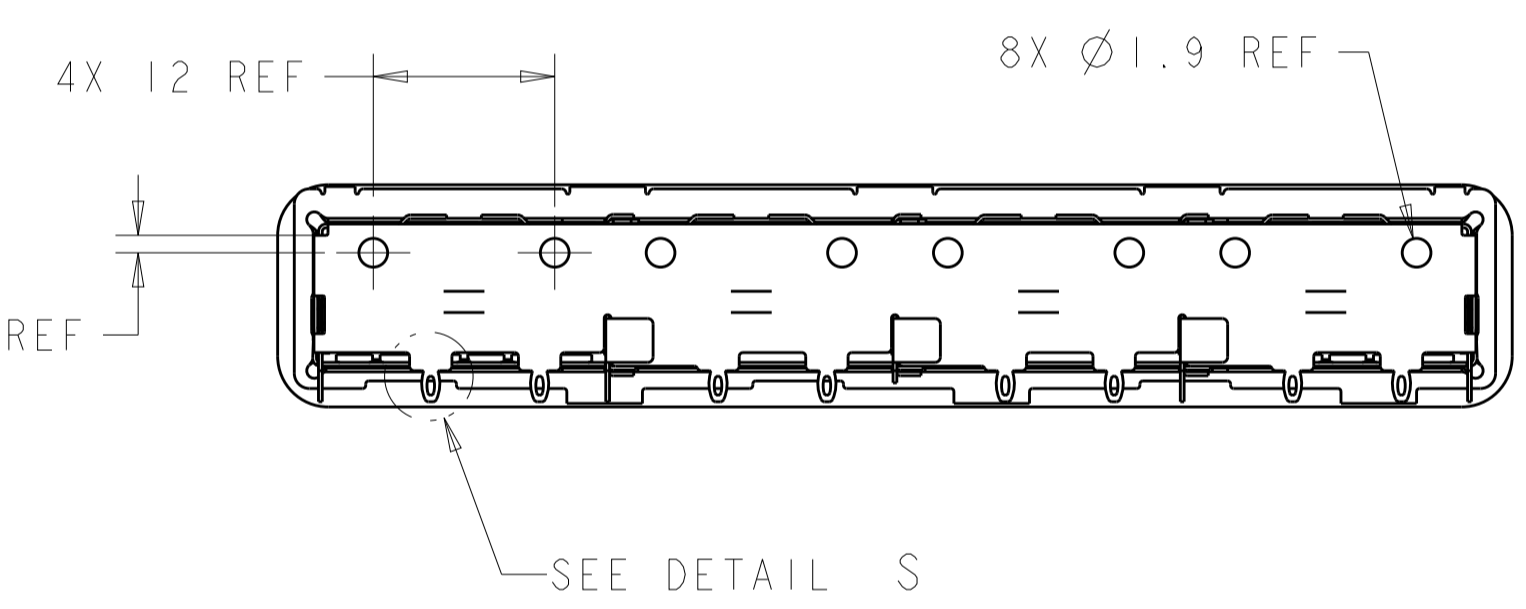
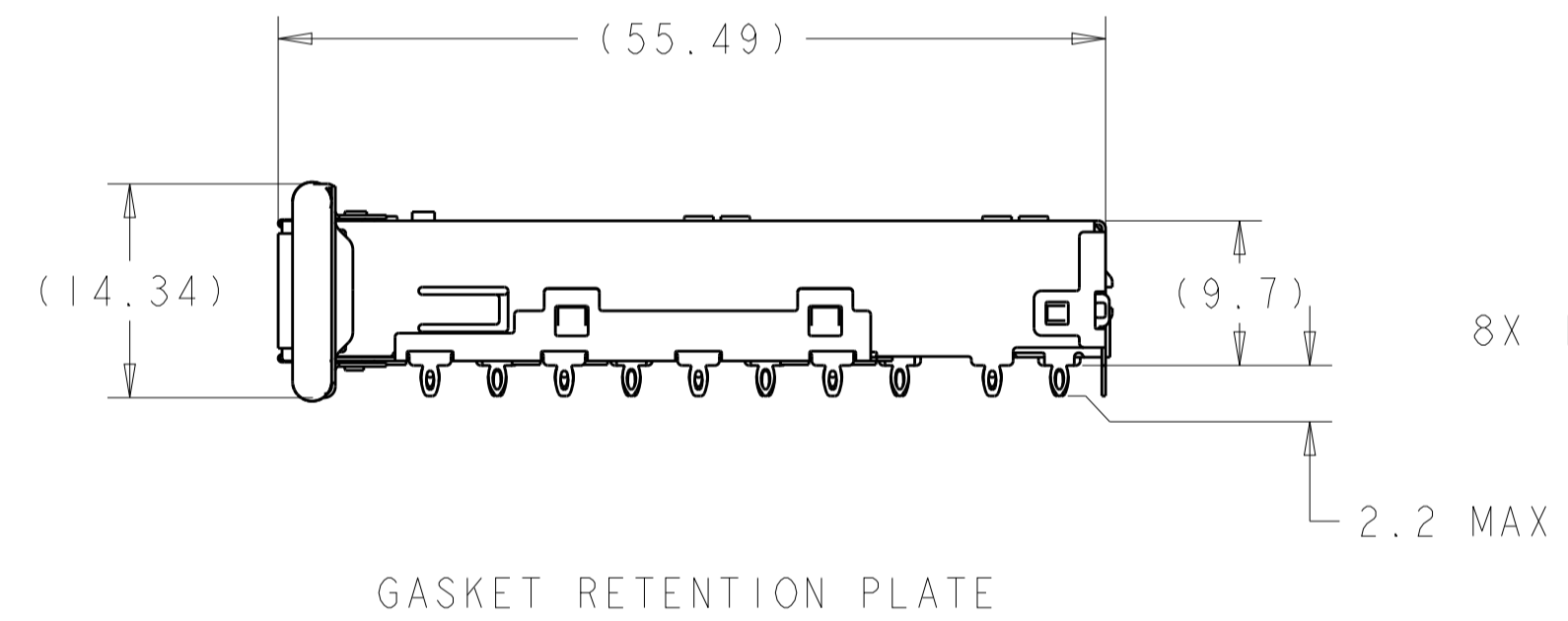
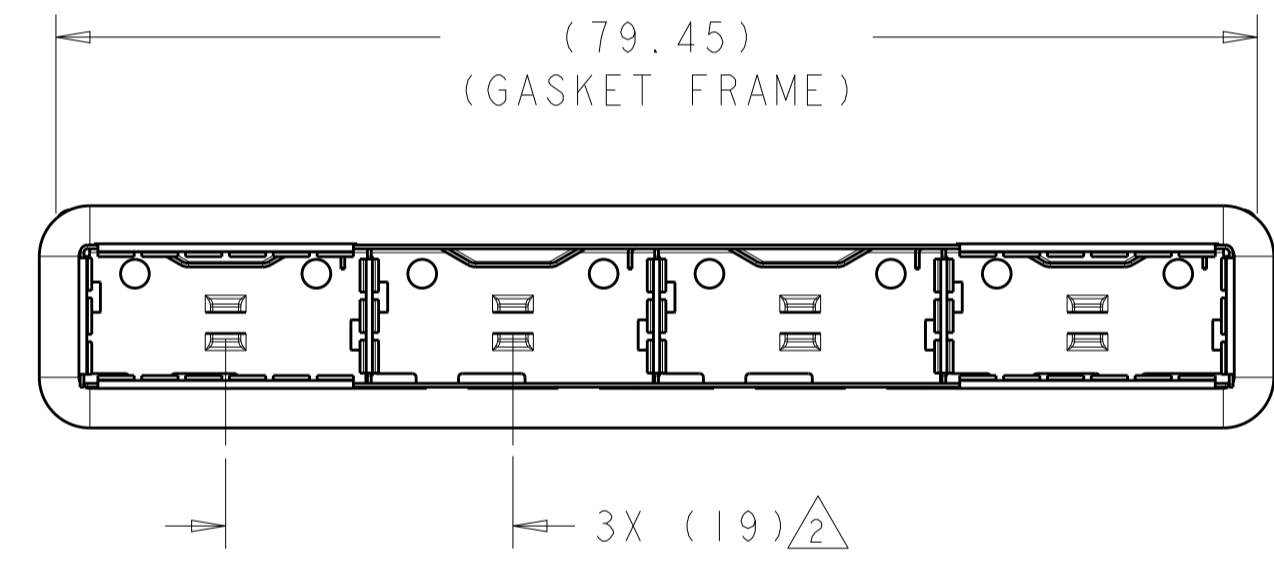
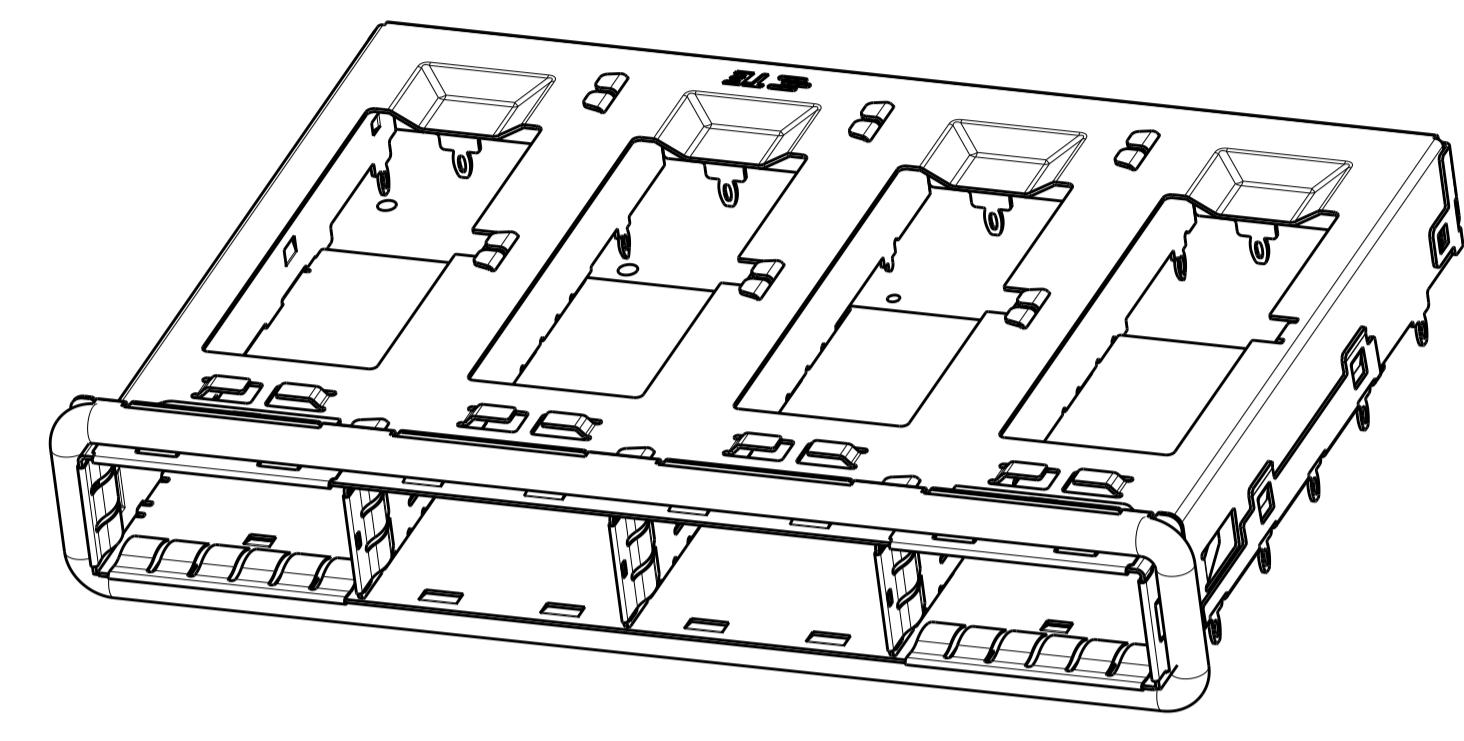
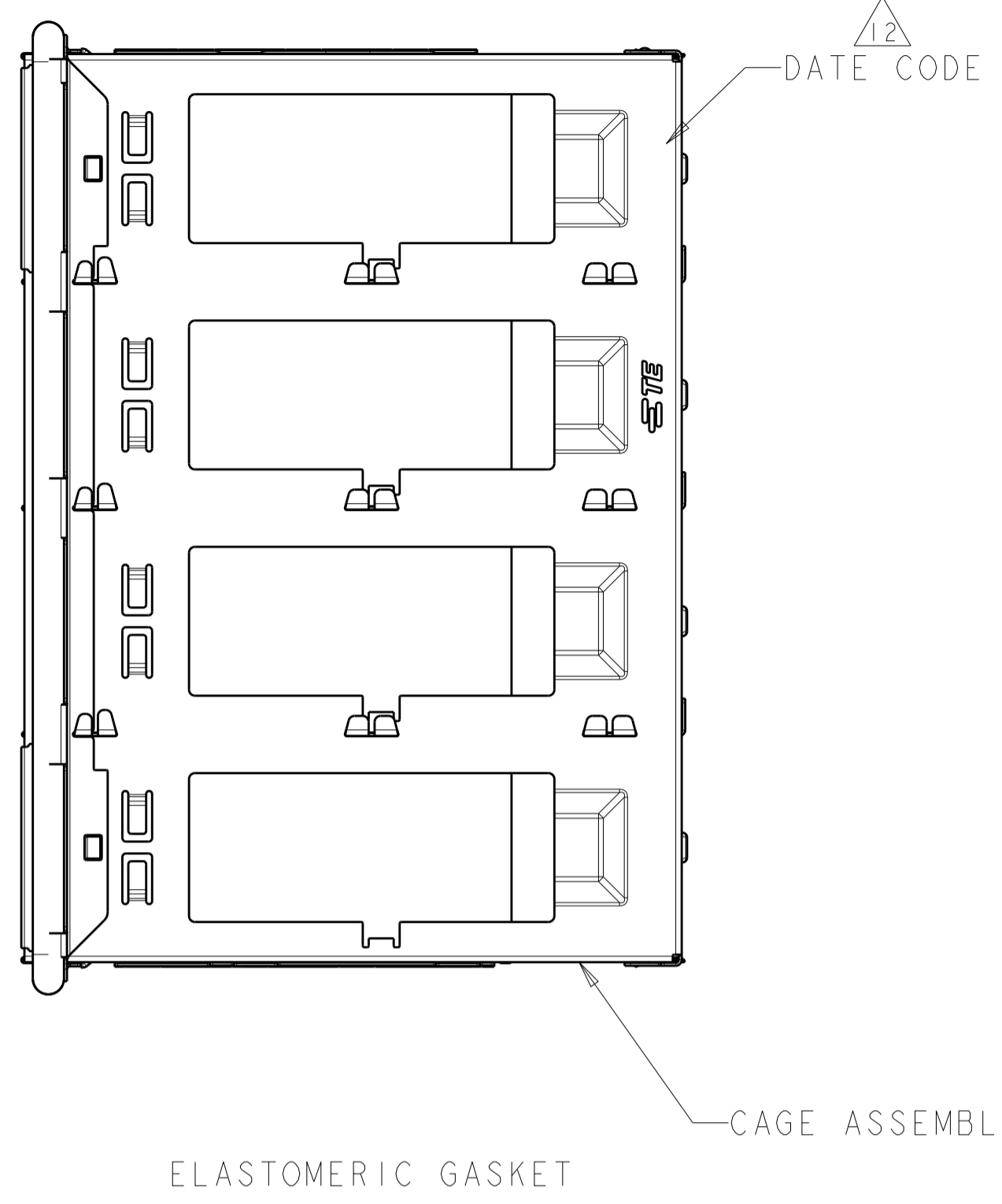
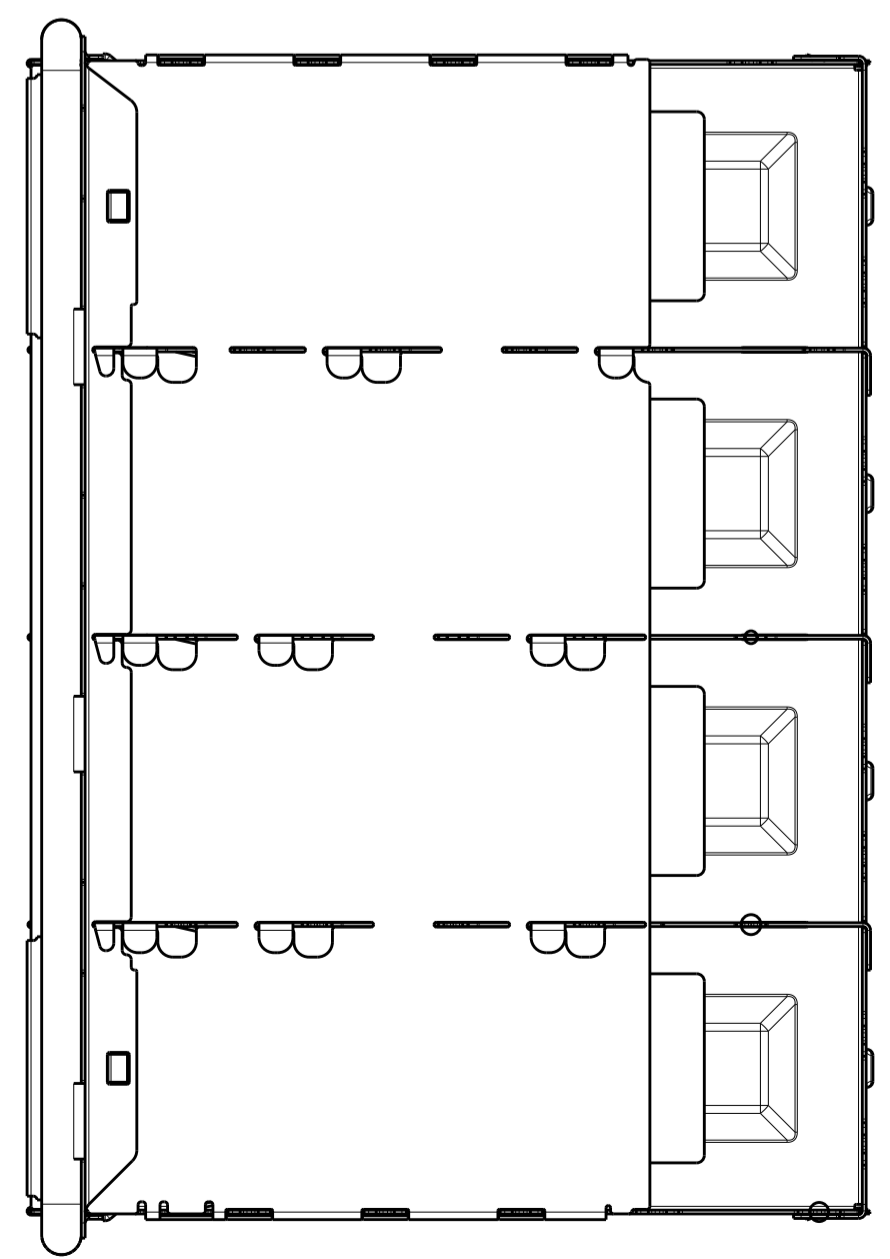


| LOC | | DIST | | REVISIONS | | | |
|-----|-----|-------------------|----------|-----------|------|--|--|
| P | LTN | DESCRIPTION | DATE | DWN | APVD | | |
| A | | RELEASE TO ACTIVE | 1NOV2016 | RG | SH | | |

- 1 SURFACE TRACES PERMITTED WITHIN THIS AREA EXCEPT WHERE CAGE STANDOFFS, SHOWN IN DETAIL S, CONTACT PC BOARD.
- 2 PITCH BETWEEN PORTS OF ONE 1X4 CAGE.
- 3 SPACING BETWEEN CAGES ON THE SAME PC BOARD. TO BE SPECIFIED BY CUSTOMER, MUST COMPLY WITH MINIMUM DIMENSIONS SHOWN.
- 4 REFERENCE APPLICATION SPEC 114-13217 FOR RECOMMENDED DRILL HOLE DIAMETER AND PLATING THICKNESS.
- 5 UNPLATED THRU HOLE.
- 6 DATUM AND BASIC DIMENSION ESTABLISHED BY CUSTOMER.
- 7 DATUM -A- IS TOP SURFACE OF THE HOST BOARD.
- 8 DIMENSION C IS THE NOMINAL THICKNESS OF CUSTOMER SUPPLIED PC BOARD. MINIMUM PC BOARD THICKNESS:
 SINGLE SIDED: 1.45mm
 DOUBLE SIDED: 5.0mm PER CUSTOM
- 9. MATES WITH QSFP MSA COMPATIBLE TRANSCEIVER.
- 10 BASELINE FOR THE DIMENSION IS CENTER OF COMPLIANT PIN HOLE.
- 11 LED ON HOST BOARD. QUANTITY, POSITION, AND GEOMETRY DEPENDS ON CHOICE OF LIGHT PIPES.
- 12 DATE CODE (YYWWD) MARKED APPROXIMATELY AS SHOWN.
- 13 REFERENCE APP SPEC 114-13217 FOR GASKET THICKNESS CALCULATION.
- 14 MATERIAL:
 CAGE ASSEMBLY: NICKEL SILVER, 0.25 THICK
 EMI SPRINGS: COPPER ALLOY
 GASKET PLATE: STAINLESS STEEL
- 15 FINISH:
 EMI SPRINGS: TIN PLATING OVER NICKEL



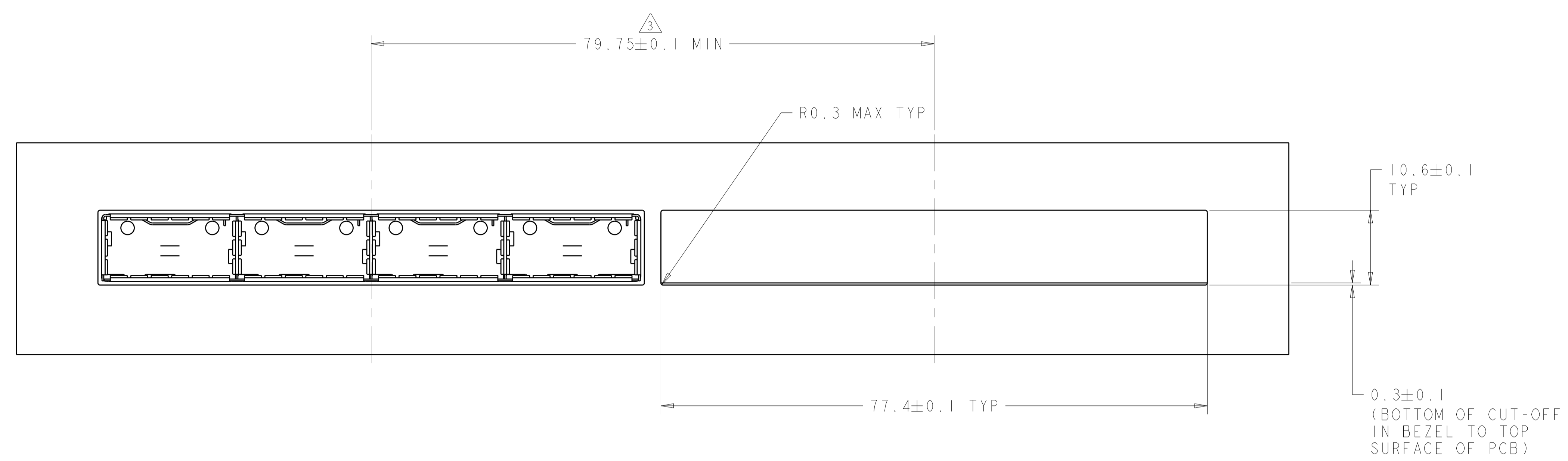
DETAIL S
SCALE 20:1



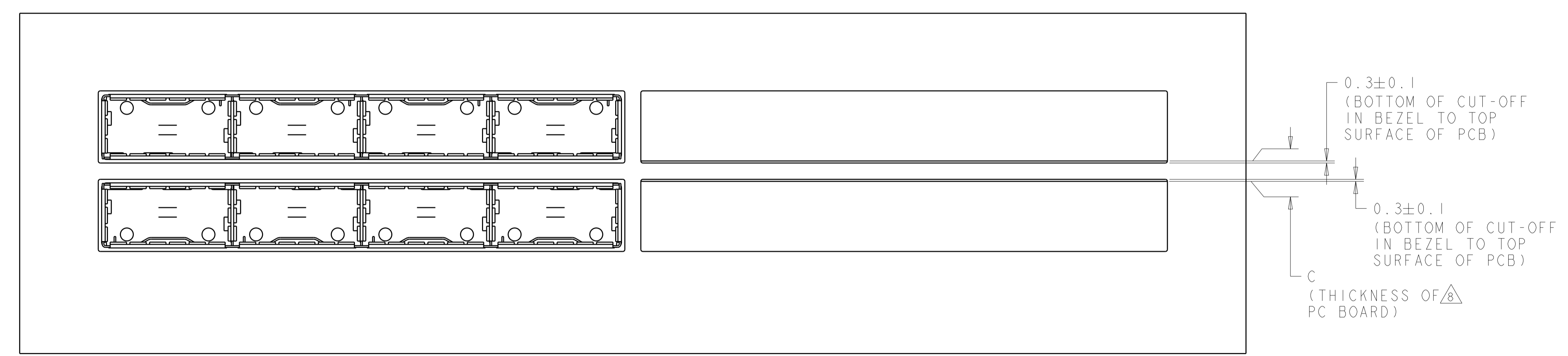
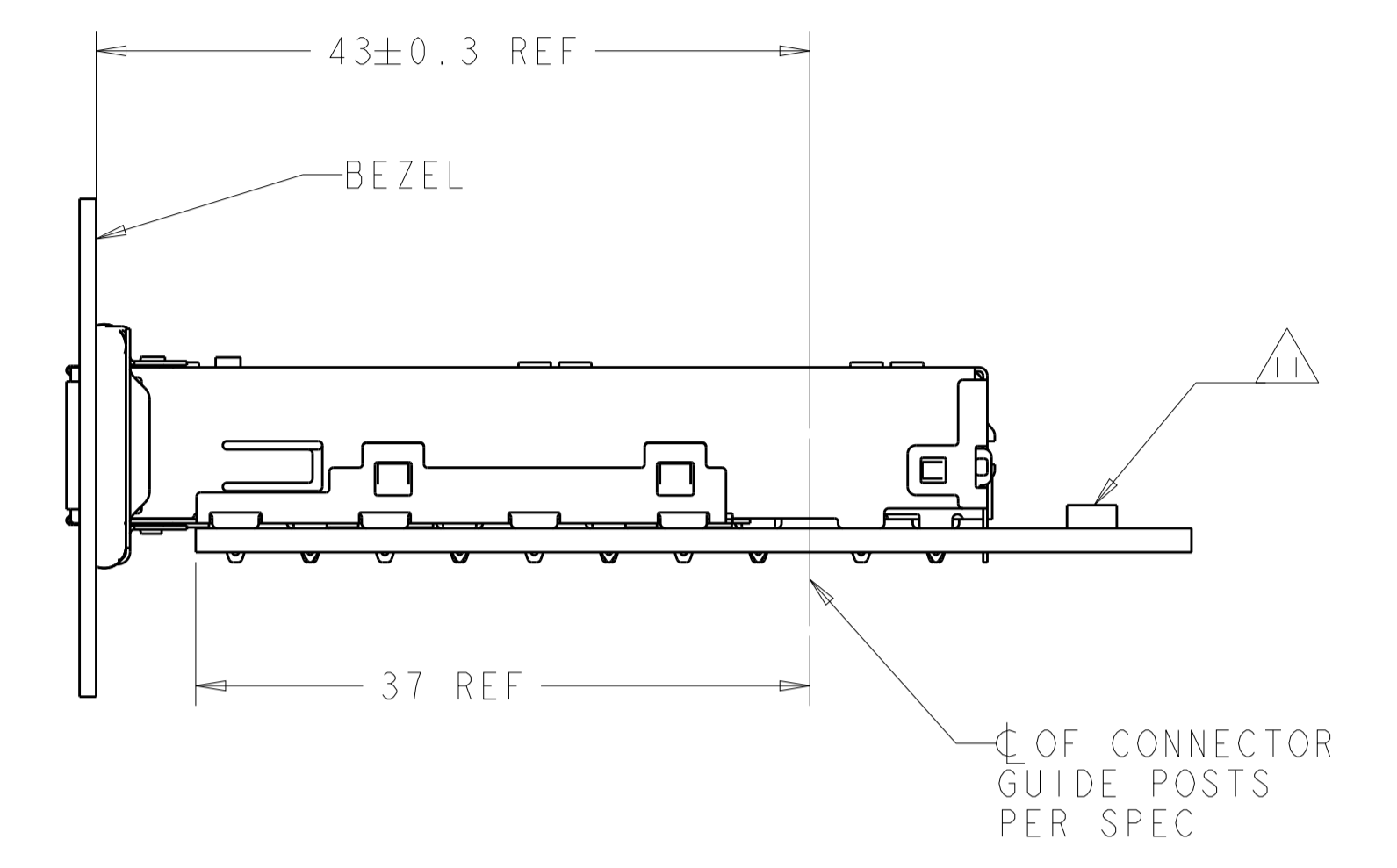
2170288-1
PART NUMBER

| | | | |
|--|--------|---------------------------|--|
| THIS DRAWING IS A CONTROLLED DOCUMENT. | | DWN: KINSEN SUN 05MAR2012 | TE Connectivity |
| DIMENSIONS: mm | | CHK: DENNY ZHU 05MAR2012 | |
| TOLERANCES UNLESS OTHERWISE SPECIFIED: | | APVD: AILEY CAI 05MAR2012 | NAME: 1X4 CAGE ASSEMBLY, THRU BEZEL, W/ ELASTOMERIC GASKET, QSFP |
| 0 PLC | ± | PRODUCT SPEC | SIZE: CAGE CODE DRAWING NO |
| 1 PLC | ±0.25 | 108-2286 | RESTRICTED TO |
| 2 PLC | ±0.15 | APPLICATION SPEC | A100779C=2170288 |
| 3 PLC | ± | 114-13217 | SCALE: 2:1 SHEET 1 OF 4 REV A |
| 4 PLC | ± | WEIGHT | |
| ANGLES | ± | CUSTOMER DRAWING | |
| MATERIAL | FINISH | | |

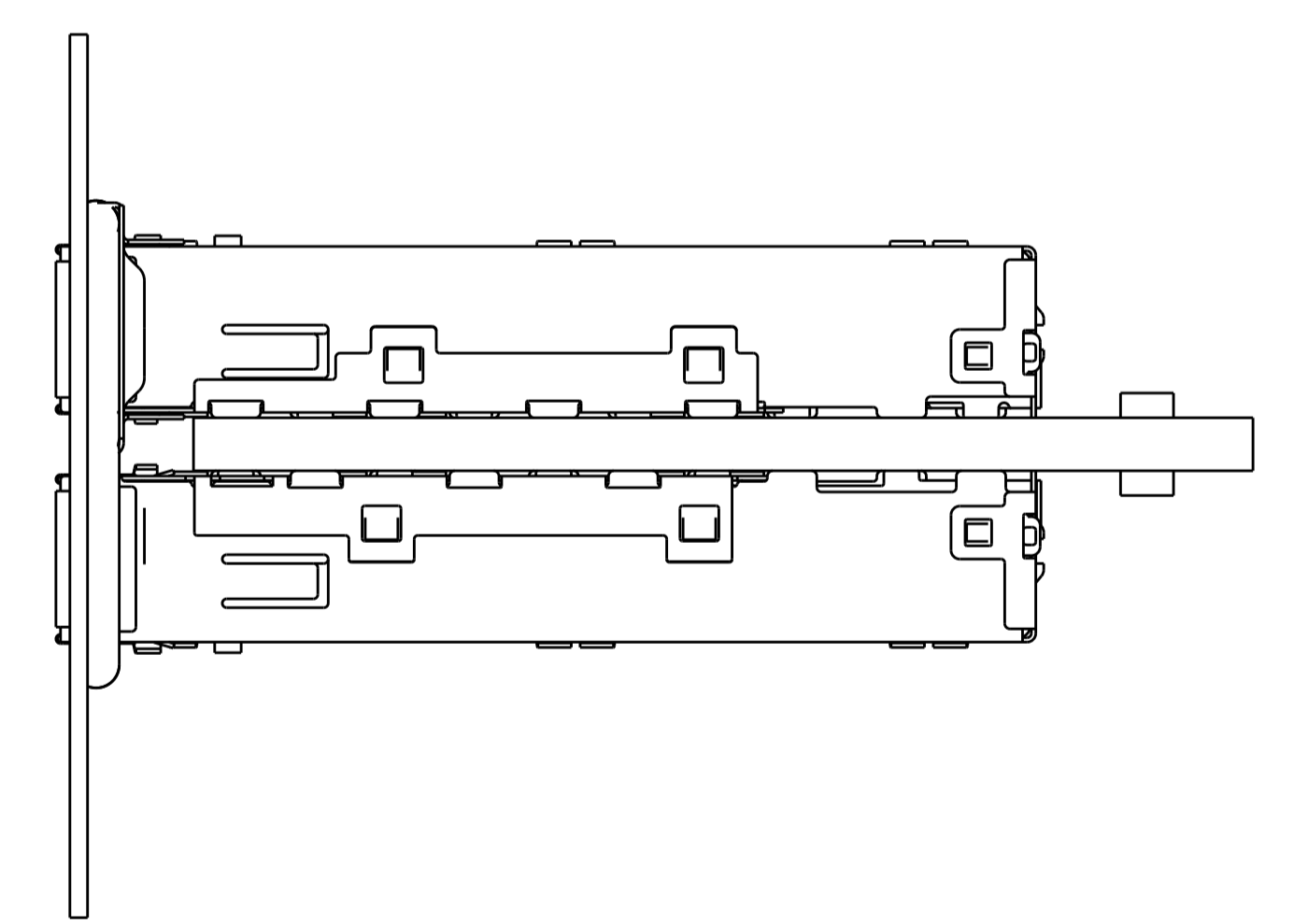
| LOC | | DIST | | REVISIONS | | | |
|-----|----|------|-----|-------------|------|-----|------|
| GP | 00 | P | LTN | DESCRIPTION | DATE | DMN | APVD |
| - | - | - | - | SEE SHEET 1 | - | - | - |
| | | | | | | | |
| | | | | | | | |



ONE SIDED CONFIGURATION
 SCALE 5:2

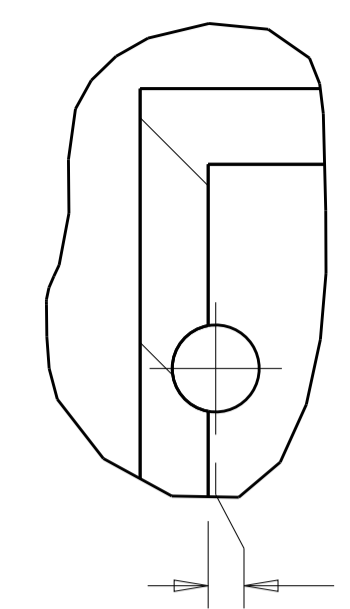


BELLY TO BELLY CONFIGURATION SIMILAR
 TO ONE SIDED EXCEPT WHERE NOTED
 SCALE 5:2

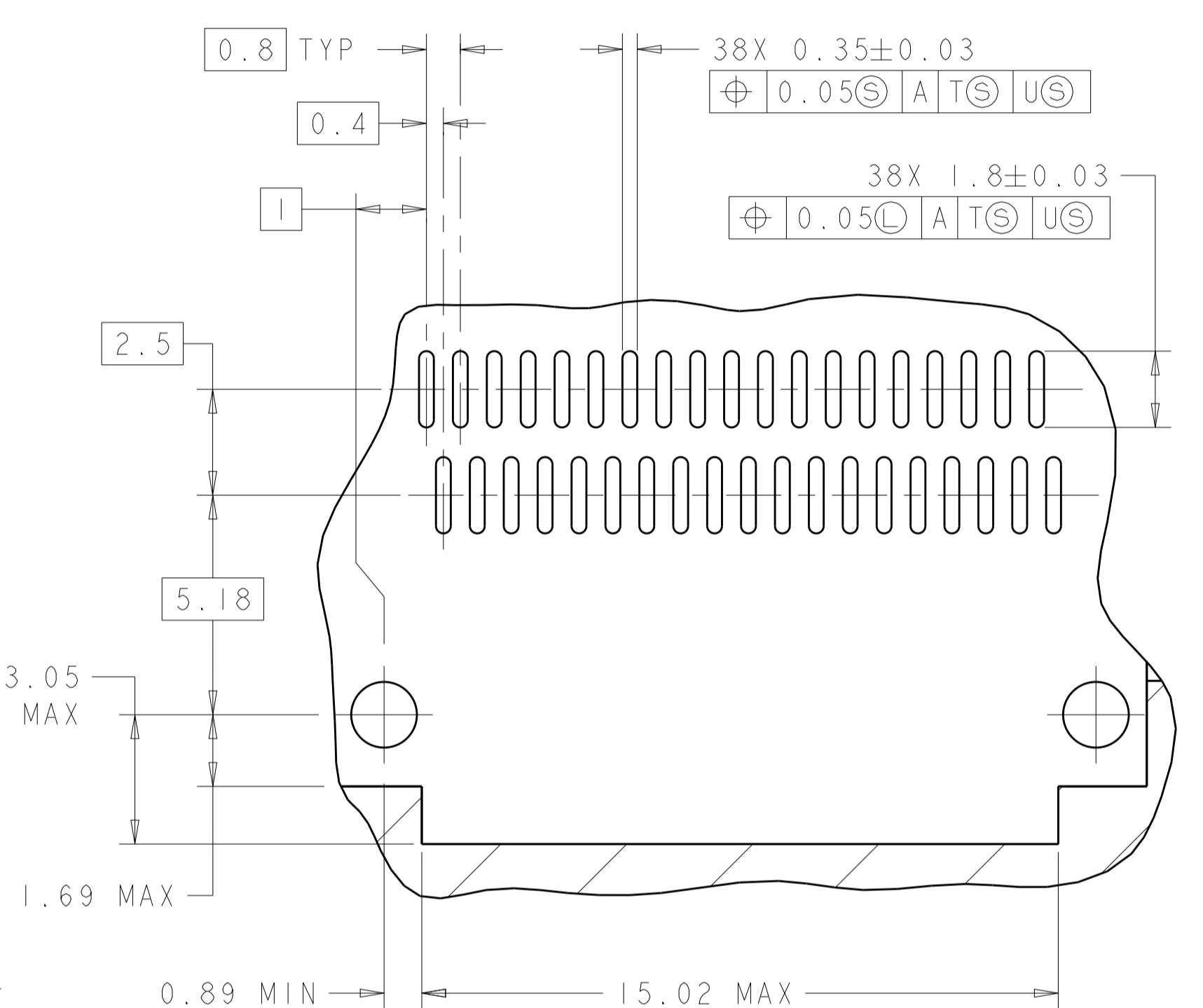
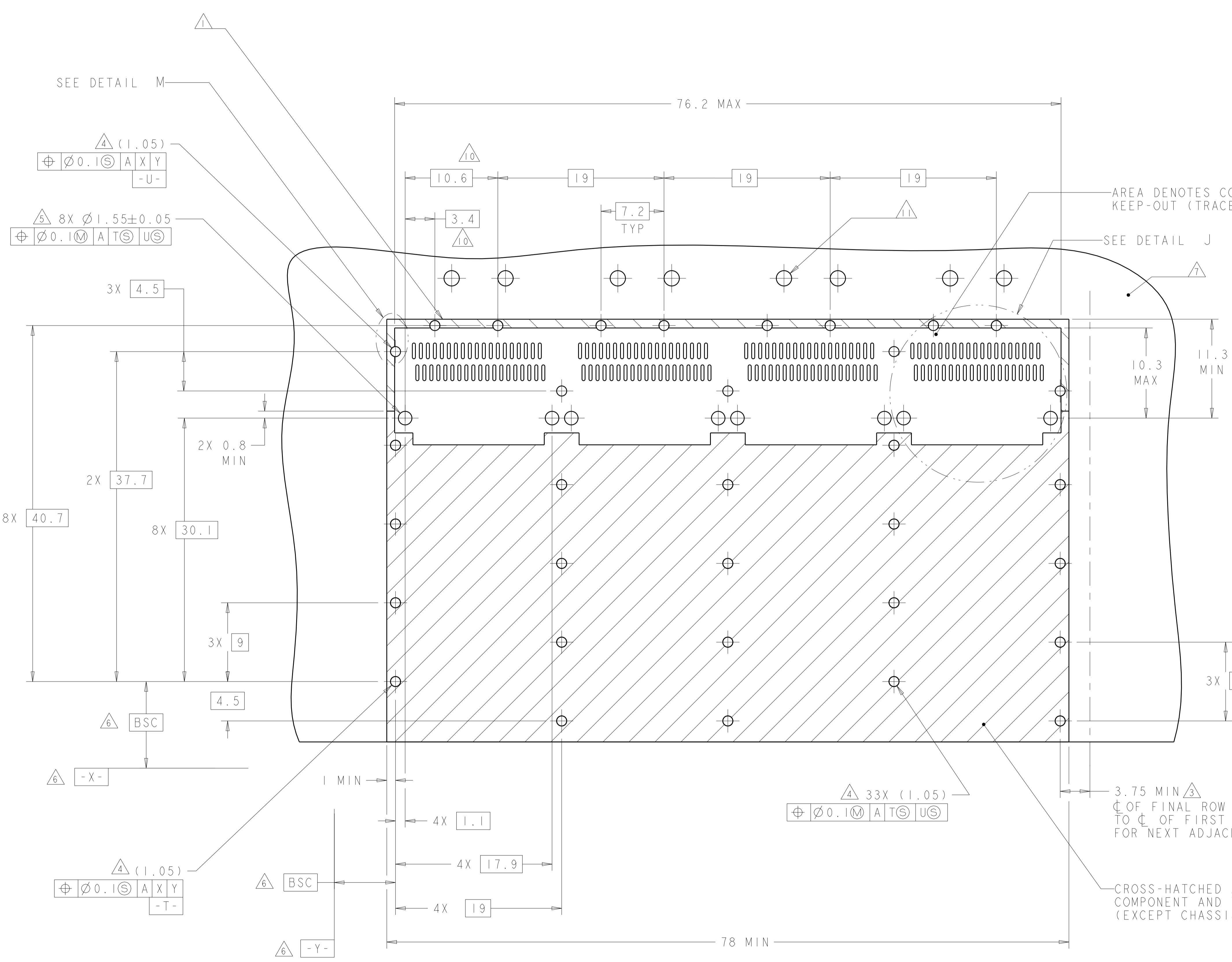


| | | | | |
|--|--|--------------------------------|---|--|
| THIS DRAWING IS A CONTROLLED DOCUMENT. | | DMN KINSEN SUN 05MAR2012 | TE Connectivity | |
| DIMENSIONS: | | CHK DENNY ZHU 05MAR2012 | | |
| mm | TOLERANCES UNLESS OTHERWISE SPECIFIED: | APVD ALEX CAI 05MAR2012 | NAME 1X4 CAGE ASSEMBLY, THRU BEZEL, W/ ELASTOMERIC GASKET, QSFP | |
| 0 PLC | ± | PRODUCT SPEC | SIZE A100779C=2170288 | |
| 1 PLC | ±0.25 | APPLICATION SPEC | RESTRICTED TO | |
| 2 PLC | ±0.15 | 114-13217 | SCALE 2:1 SHEET 2 OF 4 REV A | |
| 3 PLC | ± | WEIGHT | CUSTOMER DRAWING | |
| 4 PLC | ± | | | |
| ANGLES | ± | | | |
| FINISH | | | | |

| LOC | DIST | REVISIONS | | | | |
|-----|------|-----------|-------------|------|-----|------|
| GP | 00 | P. LTH | DESCRIPTION | DATE | DWN | APVD |
| - | - | - | SEE SHEET 1 | - | - | - |



DETAIL M
SCALE 10:1



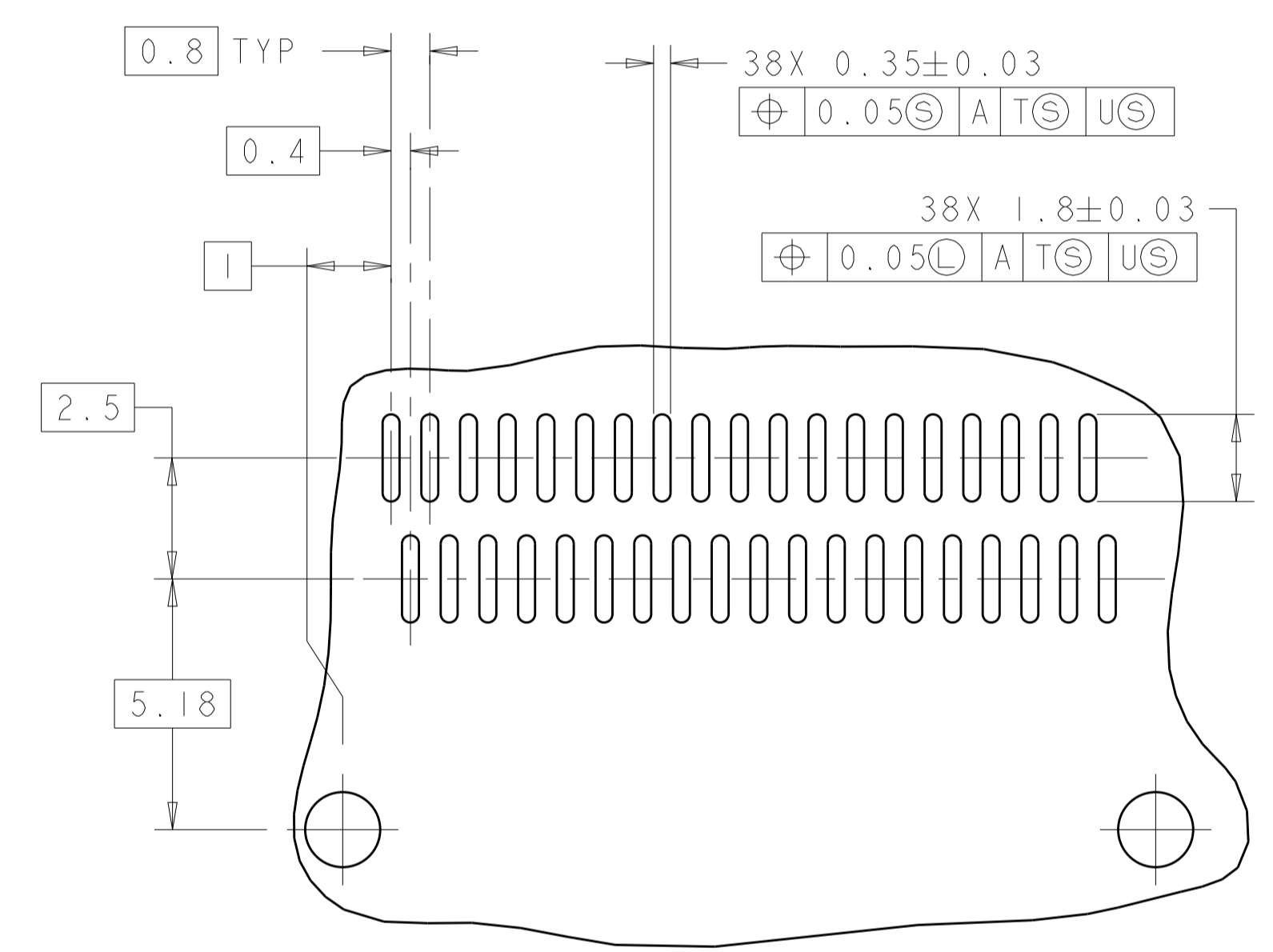
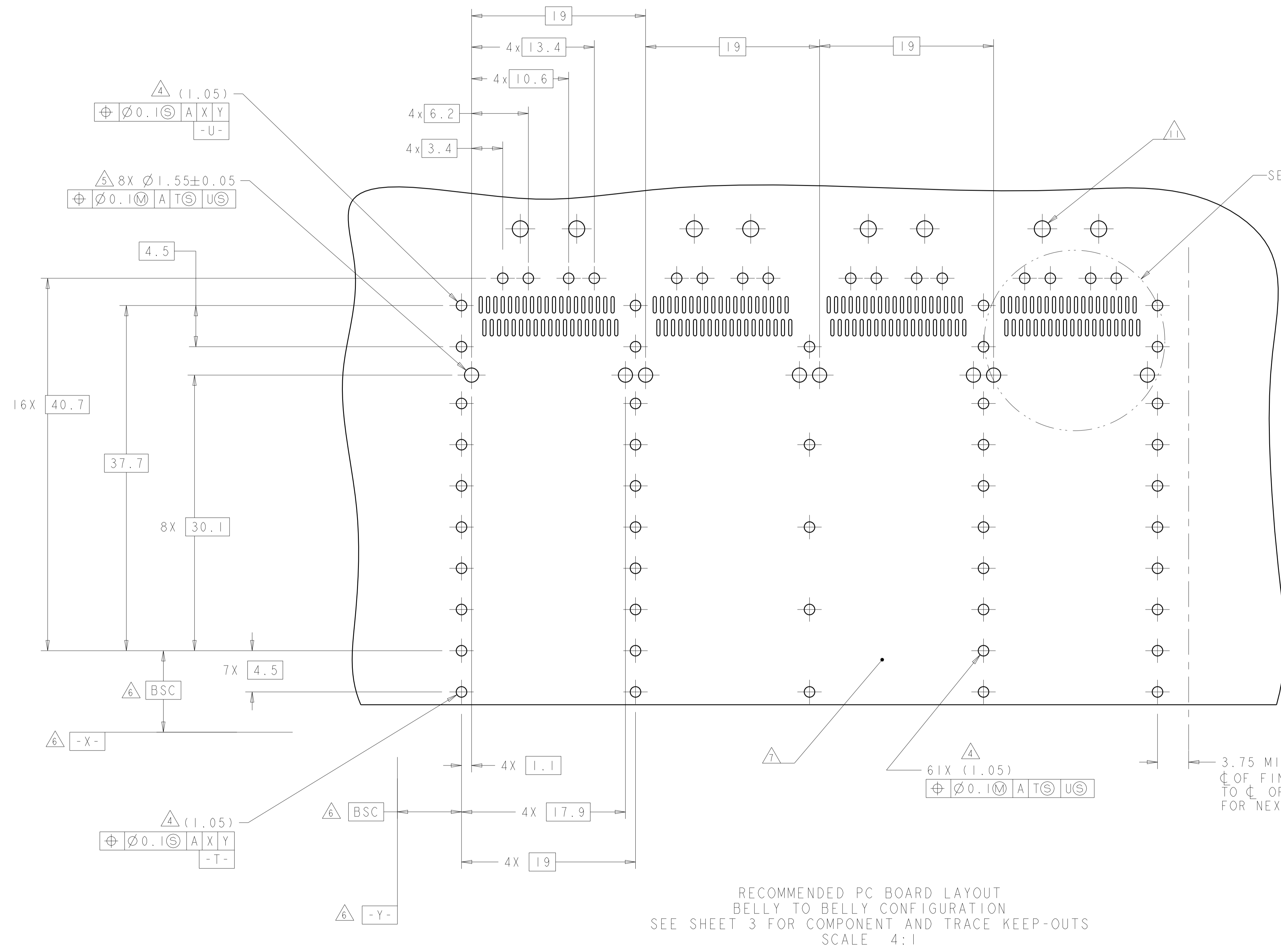
DETAIL J
4 PLACES
SCALE 8:1

RECOMMENDED PC BOARD LAYOUT
 SINGLE SIDE MOUNT CONFIGURATION
 SCALE 4:1

| | | | |
|---|--|-----------------------------|--|
| THIS DRAWING IS A CONTROLLED DOCUMENT. | | DWN: RINSEN SUN 05MAR2012 | TE Connectivity |
| DIMENSIONS: mm | | CHK: DENNY ZHU 05MAR2012 | |
| TOLERANCES UNLESS OTHERWISE SPECIFIED: | | APVD: AILEY CAI 05MAR2012 | NAME: 1X4 CAGE ASSEMBLY, THRU BEZEL, W/ ELASTOMERIC GASKET, QSFP |
| 0 PLC ± 1 PLC ±0.10 2 PLC ±0.05 3 PLC ± 4 PLC ± ANGLES ± | | PRODUCT SPEC: 108-2286 | RESTRICTED TO: |
| MATERIAL: FINISH: | | APPLICATION SPEC: 114-13217 | SIZE: A1 |
| | | WEIGHT: CUSTOMER DRAWING | SCALE: 2:1 SHEET 3 OF 4 REV A |

| LOC | DIST | REV | DATE | BY | APPD |
|-----|------|-----|------|----|------|
| GP | 00 | | | | |

| REVISIONS | | | |
|-----------|-------------|------|----|
| NO. | DESCRIPTION | DATE | BY |
| - | SEE SHEET 1 | - | - |



RECOMMENDED PC BOARD LAYOUT
 BELLY TO BELLY CONFIGURATION
 SEE SHEET 3 FOR COMPONENT AND TRACE KEEP-OUTS
 SCALE 4:1

3.75 MIN Δ
 C OF FINAL ROW OF HOLES
 TO C OF FIRST ROW OF HOLES
 FOR NEXT ADJACENT CAGE.

| | | | |
|---|--|--|---|
| THIS DRAWING IS A CONTROLLED DOCUMENT. | | OWN: KINSEN SUN 05MAR2012 | TE Connectivity |
| DIMENSIONS: mm | | CHK: DENNY ZHU 05MAR2012 | |
| TOLERANCES UNLESS OTHERWISE SPECIFIED: | | APVD: AILEY CAI 05MAR2012 | NAME: 1X4 CAGE ASSEMBLY, THRU BEZEL, W/ ELASTOMERIC GASKET, QSFP |
| 0 PLC ± 1 PLC ±0.10 2 PLC ±0.05 3 PLC ± 4 PLC ± ANGLES ± | | PRODUCT SPEC: 108-2286 APPLICATION SPEC: 114-13217 WEIGHT: | |
| MATERIAL: FINISH: | | CUSTOMER DRAWING | SIZE: A1 CAGE CODE: 00779 DRAWING NO: C=2170288 RESTRICTED TO: |
| 4805 (3/11) | | SCALE: 2:1 | SHEET: 4 OF 4 REV: A |