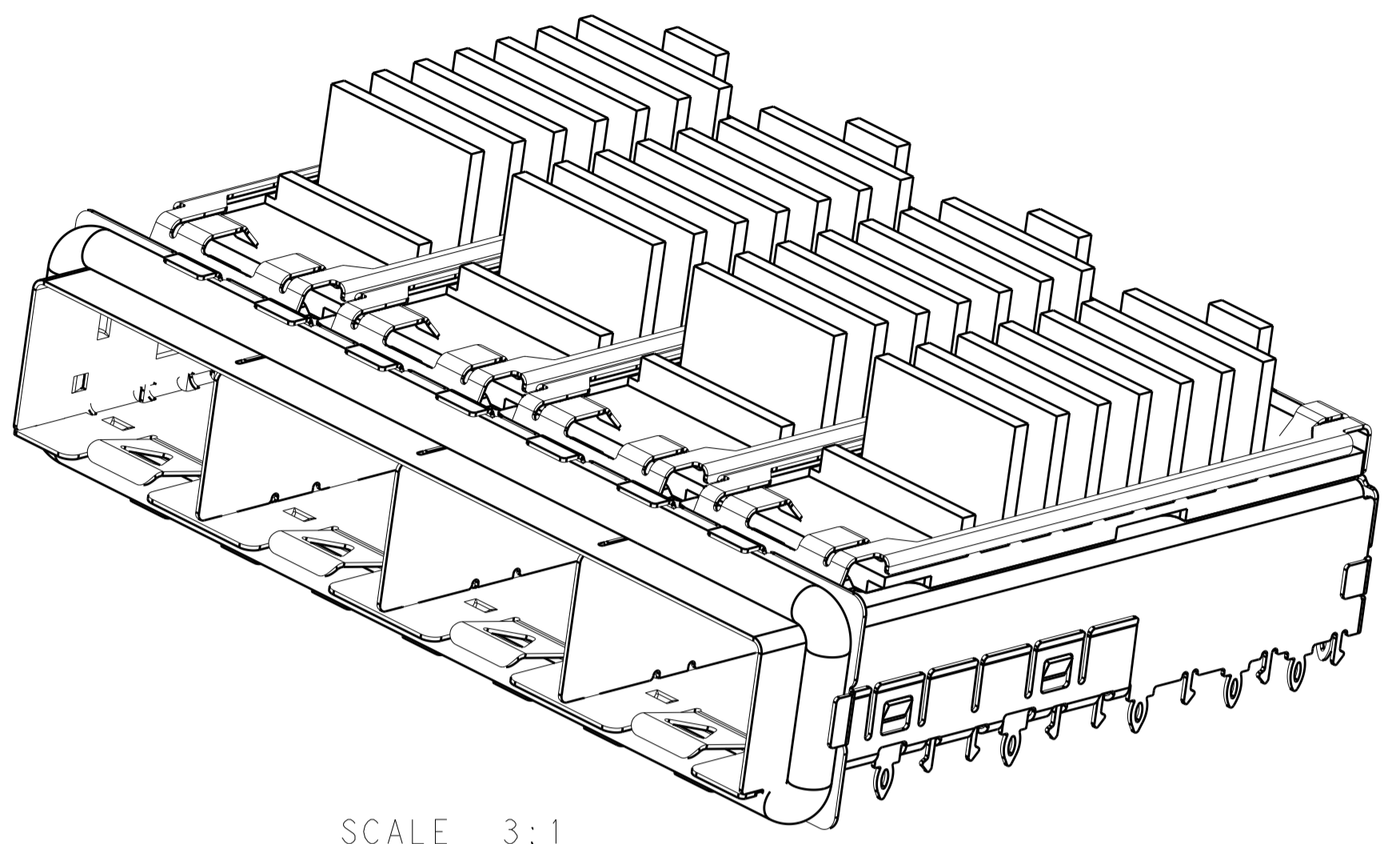


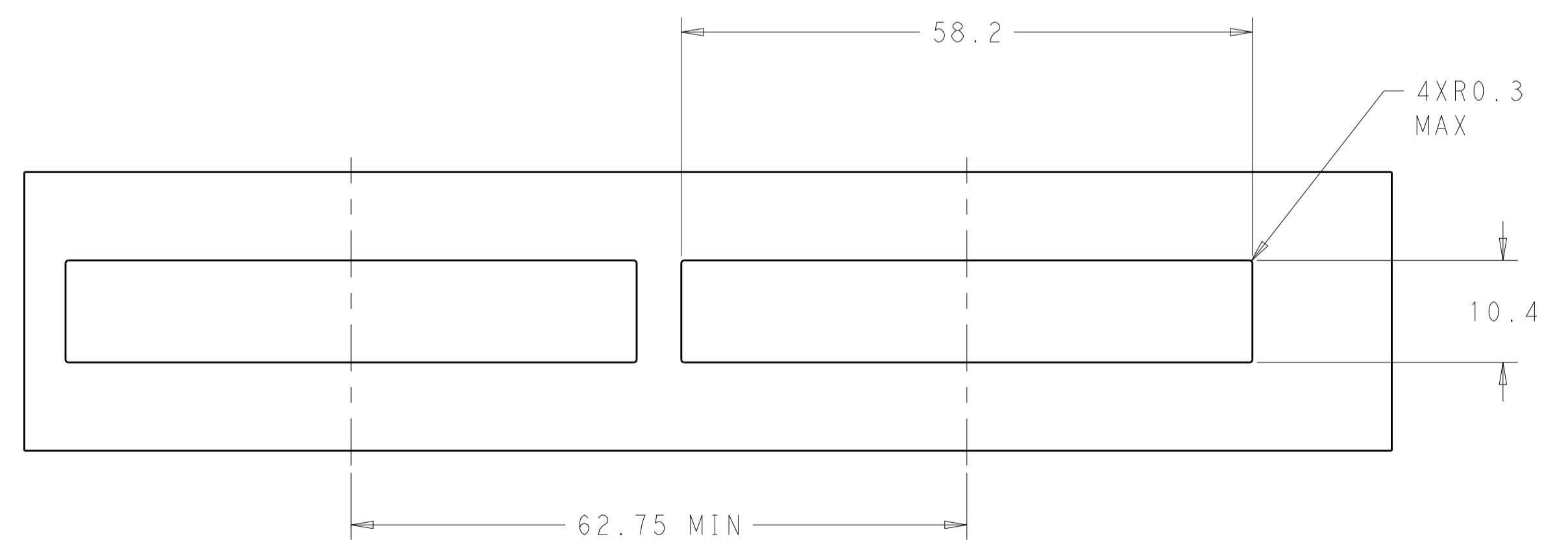
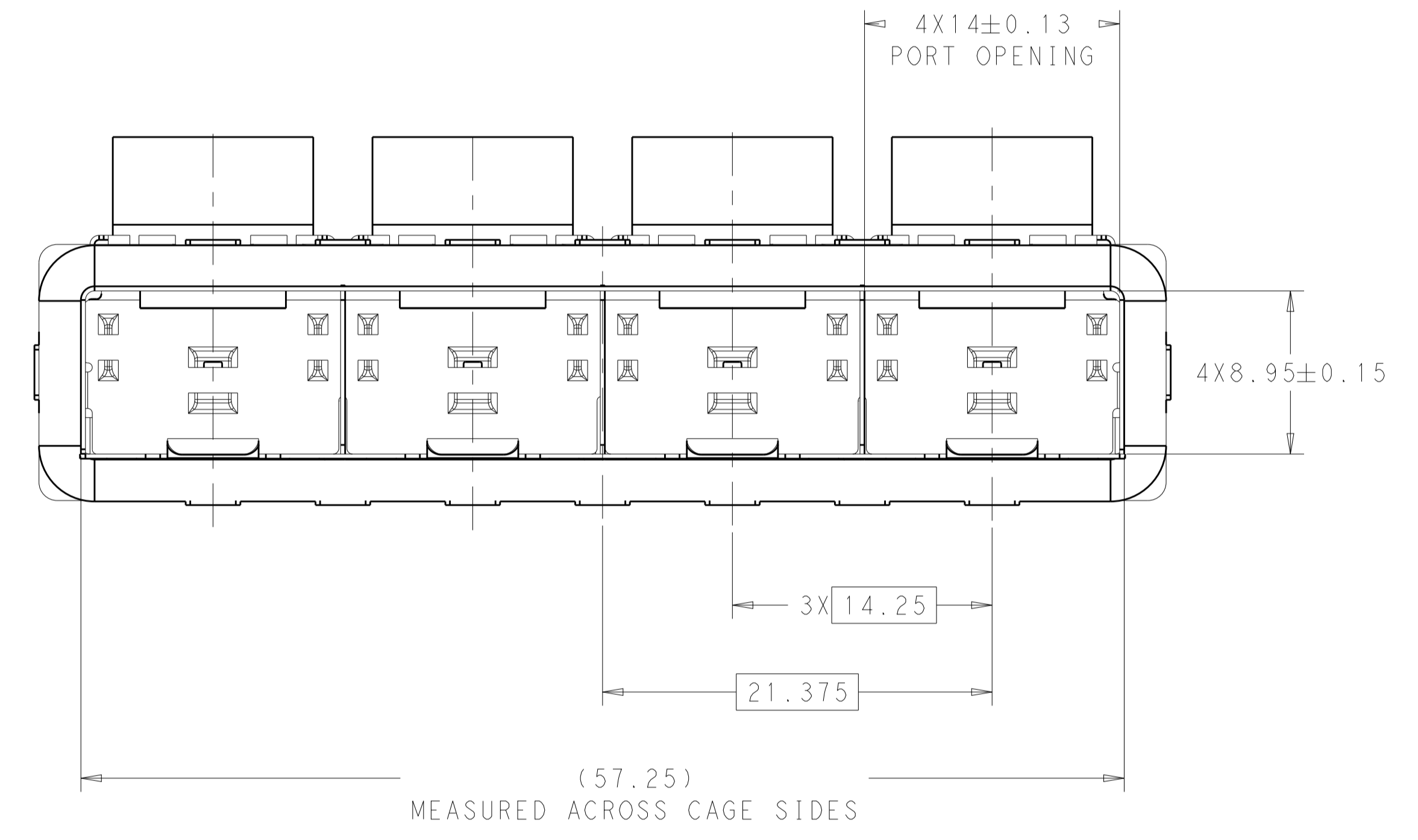
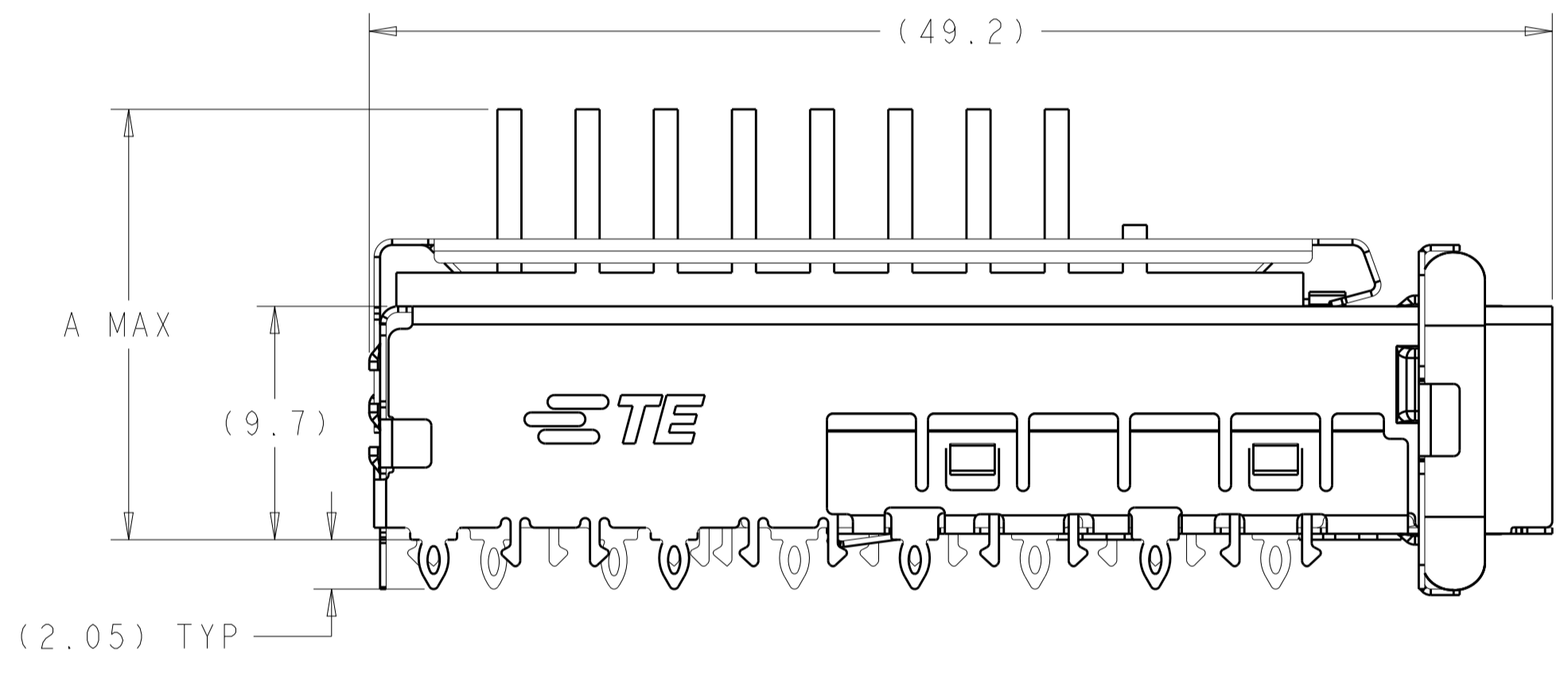
LOC	DIST	REVISIONS					
GP	00	P	LTN	DESCRIPTION	DATE	DWN	APVD
		A		REV PER ECR-12-004175	12MAR2012	DZ	AC
		B		REVISED	1JUN2012	DZ	AC
		B2		REV PER ECR-12-009968	10JULY2012	DZ	AC

- 1 MATERIAL:
 CAGE ASSEMBLY: 0.25mm THICK NICKEL SILVER ALLOY
 GASKET RETENTION PLATE: STAINLESS STEEL
 EMI GASKET: PLATED FILLED SILICONE
 HEATSINK CLIP: STAINLESS STEEL
 HEATSINK: ALUMINUM
- 2 FINISH:
 HEATSINK: HARD ANODIC COAT
 HEATSINK CLIP: PASSIVATE
- 3 PADS AND VIAS CHASSIS GROUND.
- 4 DATUM AND BASIC DIMENSION ESTABLISHED BY CUSTOMER.
- 5. MATES WITH SFP MSA COMPLIANT TRANSCEIVERS.
- 6. INTERPRETATION OF DATUM REFERENCE FRAME IN ACCORDANCE WITH SECT 4.4.1.1 OF ASME Y14.5M-1994.
- 7 REFERENCE APPLICATION SPEC. 114-13120, HOLE A, FOR RECOMMENDED DRILL HOLE DIAMETER AND PLATING THICKNESS.
- 8 REFERENCE APPLICATION SPEC. 114-13120, HOLE B, FOR RECOMMENDED DRILL HOLE DIAMETER AND PLATING THICKNESS.
- 9 HOLE PATTERN REPEATS FOR EACH PORT. SPACING BETWEEN PORTS IS 14.25mm.

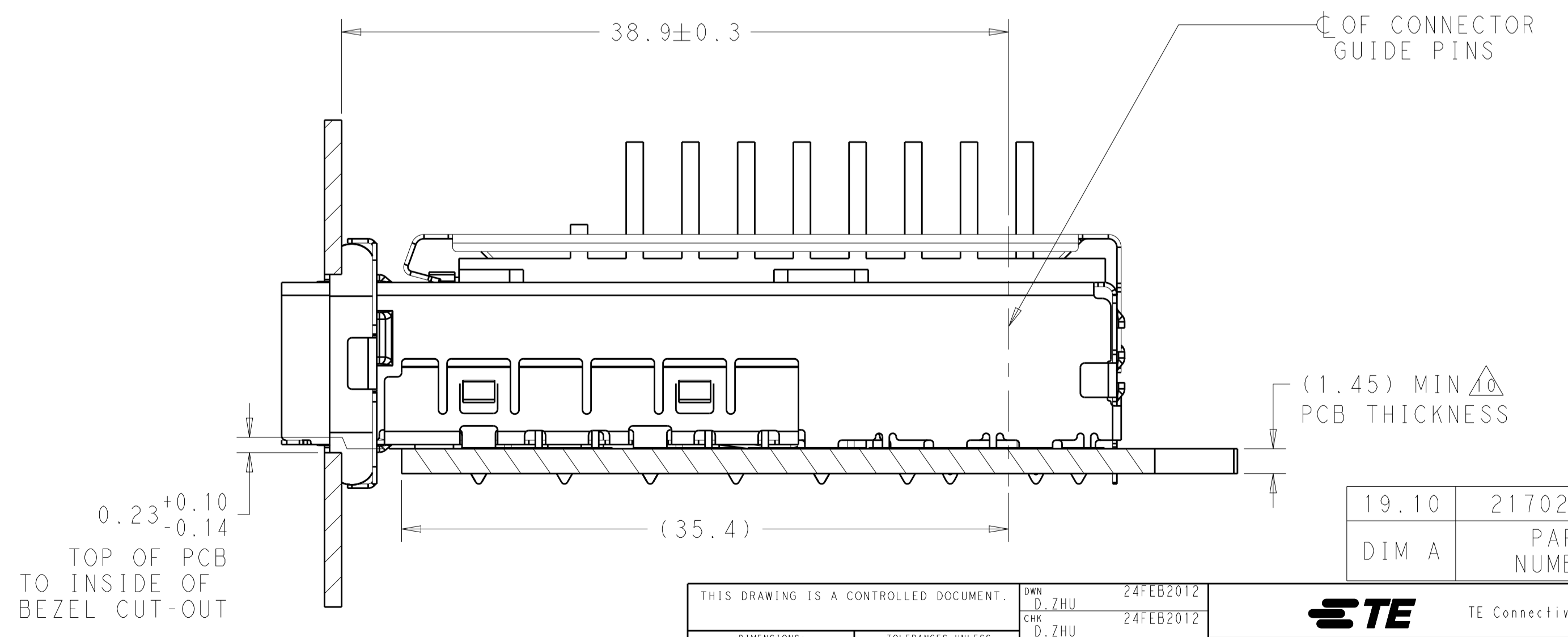
- 10 MINIMUM PC BOARD THICKNESS:
 SINGLE SIDED: 1.45mm
- 11. CERTAIN MATING TRANCEIVERS MAY REQUIRE ADDITIONAL PCB THICKNESS THAT WOULD NEED TO BE DETERMINED BY THE CUSTOMER.
- 12. PRODUCT COMPLIES WITH SPECIFICATION SFF-8433 IMPROVED PLUGGABLE FORM FACTOR FOR SFP+ GANGED CAGES.
- 13 DIMENSION APPLIES WITH SFP MODULE INSERTED.



SCALE 3:1



RECOMMENDED BEZEL CUT-OUT SCALE 2:1

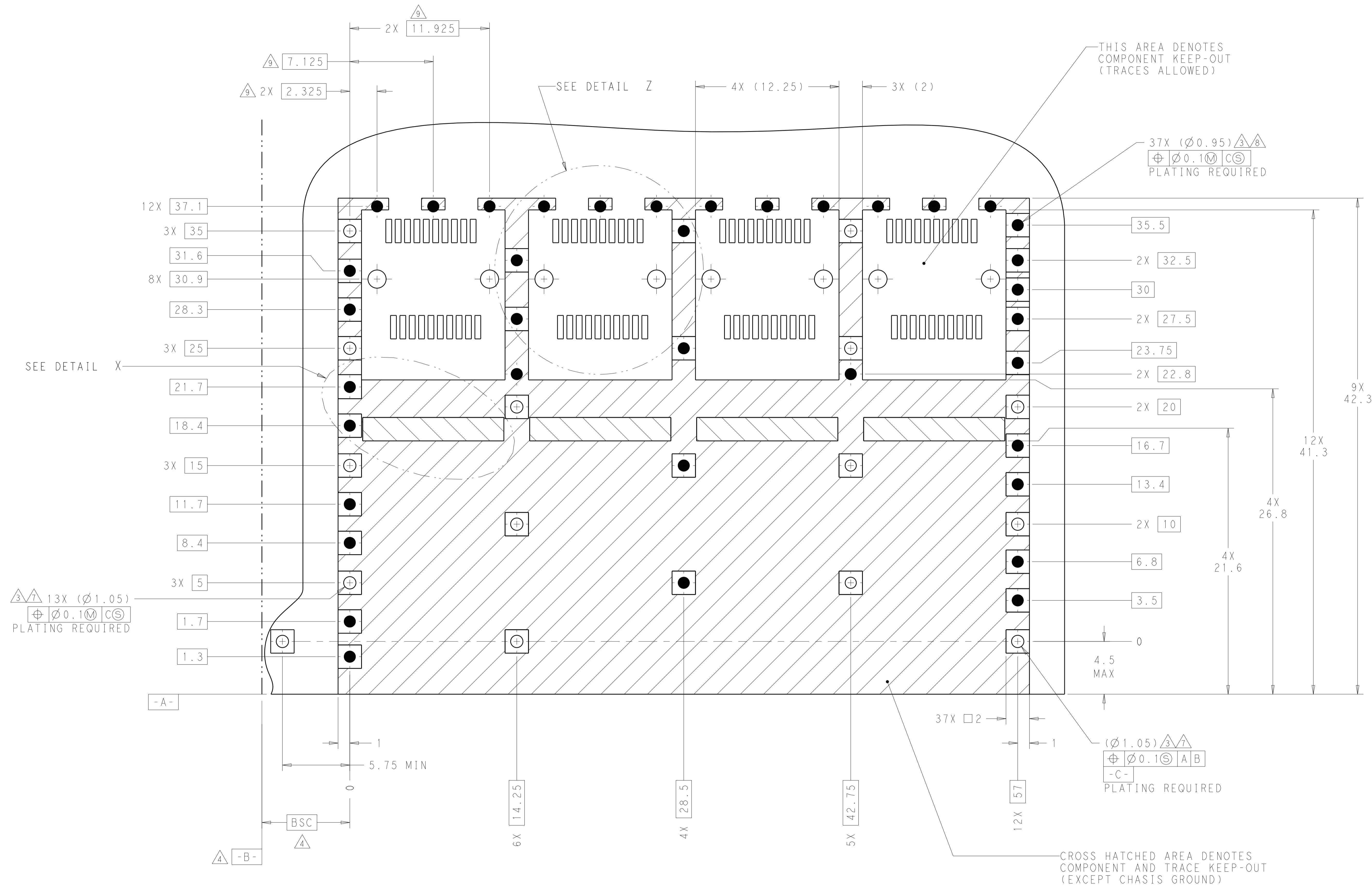


2170274-1 MOUNTED ON PC BOARD SHOWN THRU RECOMMENDED BEZEL SCALE 4:1

19.10	2170274-1
DIM A	PART NUMBER

THIS DRAWING IS A CONTROLLED DOCUMENT.		DWN: D.ZHU 24FEB2012	TE Connectivity
DIMENSIONS: mm		CHK: D.ZHU 24FEB2012	
TOLERANCES UNLESS OTHERWISE SPECIFIED:		APVD: A.CAI 24FEB2012	NAME: SFP+ ENHANCED, 1X4 CAGE ASSEMBLY PRESS FIT, EMI GASKET WITH HEATSINK
0 PLC ±.1		PRODUCT SPEC: 108-2364	
1 PLC ±.1		APPLICATION SPEC: 114-13120	SIZE: A1 CAGE CODE: 2170274 DRAWING NO: 2170274
2 PLC ±.1		WEIGHT: -	
3 PLC ±.1		Customer Drawing	RESTRICTED TO: -
4 PLC ±.1		SCALE: 1:1	SHEET 1 OF 3
ANGLES ±.1		REV: B2	
FINISH: -			

LOC	DIST	REVISIONS			
P	LTN	DESCRIPTION	DATE	DWN	APVD
-	-	SEE SHEET 1	-	-	-



THIS AREA DENOTES COMPONENT KEEP-OUT (TRACES ALLOWED)

37X (Ø0.95) 3/8
 Ø0.1 M C S
 PLATING REQUIRED

13X (Ø1.05)
 Ø0.1 M C S
 PLATING REQUIRED

(Ø1.05) 3/8
 Ø0.1 M C S
 A B
 -C-
 PLATING REQUIRED

CROSS HATCHED AREA DENOTES COMPONENT AND TRACE KEEP-OUT (EXCEPT CHASSIS GROUND)

RECOMMENDED PCB CONFIGURATION WITH KEEP-OUT AREAS
 SCALE 6:1

THIS DRAWING IS A CONTROLLED DOCUMENT.		DWN: D. ZHU 24FEB2012	TE Connectivity
DIMENSIONS: mm		CHK: D. ZHU 24FEB2012	
TOLERANCES UNLESS OTHERWISE SPECIFIED:		APVD: A. CAL 24FEB2012	NAME: SFP+ ENHANCED, 1X4 CAGE ASSEMBLY PRESS FIT, EMI GASKET WITH HEATSINK
0 PLC ±.1 1 PLC ±.1 2 PLC ±.1 3 PLC ±.1 4 PLC ±.1 ANGLES ±.1		PRODUCT SPEC: 108-2364	SIZE: CAGE CODE DRAWING NO: A100779C=2170274
MATERIAL:		APPLICATION SPEC: 114-13120	RESTRICTED TO: -
FINISH:		WEIGHT: -	SCALE: 1:1 SHEET 2 OF 3 REV: B2
		Customer Drawing	

