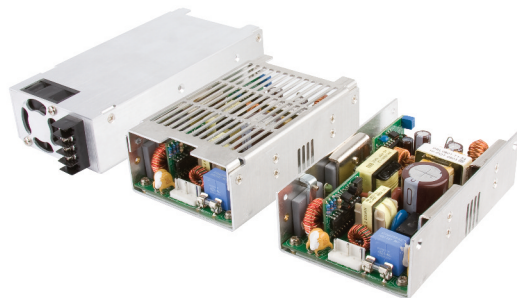


300 Watts

SDF Series



- 3.2" x 5" Footprint
- Fits 1U Applications
- High Efficiency
- Up to 600 W Peak Power
- Single & Dual Outputs
- Output Voltages from 5 V to 54 V
- 3 Year Warranty

Specification

Input

Input Voltage	• 90-264 VAC
Input Frequency	• 47-63 Hz
Input Current	• 5.0 A at 90 VAC, 2 A at 230 VAC
Inrush Current	• Max 70 A at 230 VAC, 35 A at 115 VAC, cold start 25 °C
Power Factor	• >0.9
Earth Leakage Current	• <1 mA at 264 VAC
Input Protection	• F5 A / 350 V internal in line fuse

Output

Output Voltage	• See table
Output Voltage Trim	• $\pm 5\%$ on V1 (V2 of dual output models will track by same % of adjustment)
Initial Set Accuracy	• $\pm 1\%$
Minimum Load	• 1% on single output models, 10% on both outputs of dual output models
Start Up Delay	• 1.5 s max at 120 VAC
Start Up Rise Time	• 100 ms typical
Hold Up Time	• 16 ms min at 80% of full load, 120 VAC
Line Regulation	• $\pm 0.5\%$
Load Regulation	• $\pm 1\%$ 1-100% load for single outputs $\pm 3\%$ V1, $\pm 7\%$ V2 for dual output models (except 0512, $\pm 10\%$ on V2)
Over/Undershoot	• 5% max
Transient Response	• 5% max deviation, recovery to within 1% in 2.5 ms for a 50% load change
Ripple & Noise	• 1% pk-pk (see note 1)
Overvoltage Protection	• 105-130% Vnom on output V1, recycle input to reset
Overtemperature Protection	• Measured internally with auto recovery
Overload Protection	• 110-140%
Short Circuit Protection	• Trip & restart (hiccup mode), auto recovery
Remote On/Off	• Requires a low signal to inhibit output
Fan Supply	• 12 VDC, 300 mA, not available on '-F', '-E' or '-K' versions with built-in fan

General

Efficiency	• Single output models: typically 87% Dual output models: typically 82%
Isolation	• 3000 VAC Input to Output 1500 VAC Input to Ground 250 VDC Output to Ground
Switching Frequency	• 40-66 kHz PFC variable, 55 kHz - 75 kHz PWM fixed
Power Density	• 12.5 W/in ³
Signals	• Power Good goes Hi 100-500 ms after output is in regulation and goes Low at least 1 ms before loss of regulation
MTBF	• 110 kHrs to MIL-HDBK-217F at 25 °C, GB

Environmental

Operating Temperature	• 0 °C to +70 °C, derate at 2.5%/ °C from +50 °C to +70 °C
Storage Temperature	• -20 °C to +85 °C
Operating Humidity	• 5-90%, non-condensing
Storage Humidity	• 5-95%, non-condensing
Cooling	• '-F', '-E' & '-K' versions have built-in fan, others require 15 CFM to meet forced air ratings
Operating Altitude	• 3000 m
Vibration	• 5-50 Hz, acceleration 7.35 m/s ² on X, Y and Z axis

EMC & Safety

Emissions	• EN55022 Level B conducted & radiated
Harmonic Currents	• EN61000-3-2 class A EN61000-3-2 class C for loads $\geq 20\%$
Voltage Flicker	• EN61000-4-2, level 3 Perf Criteria A
ESD Immunity	• EN61000-3-3
Radiated Immunity	• EN61000-4-3, 3 V/m Perf Criteria A
EFT/Burst	• EN61000-4-4, level 2 Perf Criteria A
Surge	• EN61000-4-5, installation class 3, Perf Criteria A
Conducted Immunity	• EN61000-4-6, 3V Perf Criteria A
Dips & Interruptions	• EN61000-4-11, 30% 10 ms, 60% 100 ms, 100% 5000 ms, Perf Criteria A, B, B
Safety Approvals	• UL60950-1, CSA C22.2 No. 950, EN60950-1

Models and Ratings

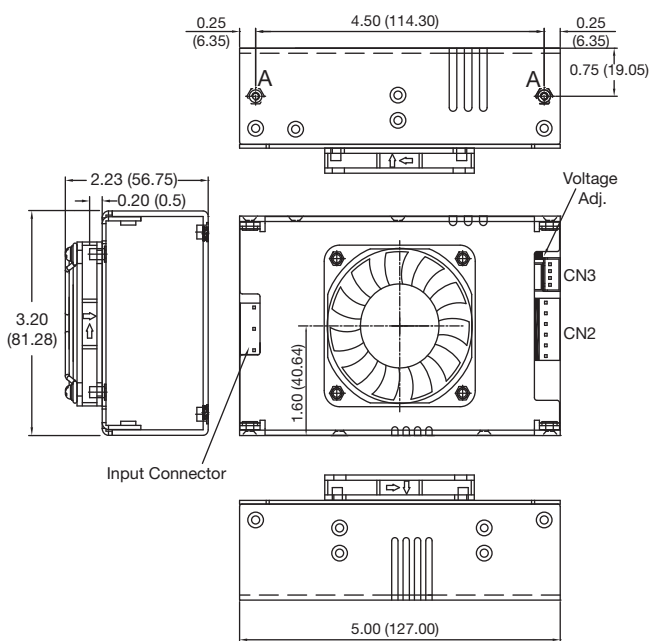
Output Voltage	Output Power	Output Current		Model Number ^(3,4,5,6)
		Nominal	Peak ⁽²⁾	
5 V	210 W	42.00 A	120.00 A	SDF300PS05 ⁽⁷⁾
9 V	245 W	27.27 A	66.67 A	SDF300PS09 ⁽⁷⁾
12 V	300 W	25.00 A	50.00 A	SDF300PS12
15 V	300 W	20.00 A	40.00 A	SDF300PS15
18 V	300 W	16.67 A	33.30 A	SDF300PS18 ⁽⁷⁾
24 V	300 W	12.50 A	25.00 A	SDF300PS24
28 V	300 W	10.70 A	21.43 A	SDF300PS28 ⁽⁷⁾
36 V	300 W	8.33 A	16.67 A	SDF300PS36 ⁽⁷⁾
48 V	300 W	6.25 A	12.50 A	SDF300PS48
54 V	300 W	5.56 A	11.10 A	SDF300PS54 ⁽⁷⁾
V1: +5.00 V V2: +12.0 V	240 W	24.00 A 13.33 A	28.80 A 16.00 A	SDF300PD0512 ⁽⁷⁾
V1: +5.00 V V2: +24.0 V	240 W	24.00 A 6.67 A	28.80 A 8.00 A	SDF300PD0524 ⁽⁷⁾
V1: +5.00 V V2: +48.0 V	240 W	24.00 A 3.33 A	28.80 A 4.00 A	SDF300PD0548 ⁽⁷⁾
V1: +12.0 V V2: +24.0 V	240 W	13.33 A 6.67 A	16.00 A 8.00 A	SDF300PD1224 ⁽⁷⁾

Notes

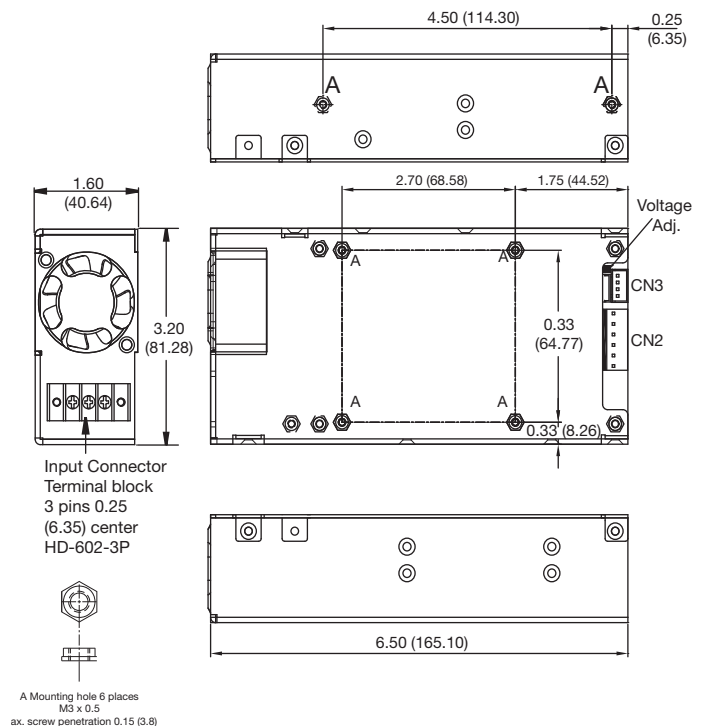
- Ripple & noise is measured using a 0.1 μF ceramic capacitor in parallel with 22 μF electrolytic and 20 MHz bandwidth
- Peak load can be taken for 500 μs. Average power not to exceed max power.
- Add suffix '-F' for top fan cover option e.g. SDF300PS24-F
Add suffix '-E' for end fan cover with screw terminal option e.g. SDF300PS24-E
Add suffix '-K' for end fan cover with IEC inlet option e.g. SDF300PS24-K
- Add suffix 'D' for optional output terminal block on single output models except the 5 V, 9 V and 12 V output models which are only available with output terminal blocks eg. SDF300PS24D-F.⁽⁷⁾
- Add suffix 'G' for optional input terminal blocks eg. SDF300PS24DG-F, except for enclosed with end fan (option '-E') which has input terminal blocks as standard.⁽⁷⁾
- Add suffix 'H' for optional molex output terminal on dual output models used in convection applications.⁽⁷⁾
- Available for OEM quantities, contact Sales.

Mechanical Details

Enclosed with top fan (Option '-F')



Enclosed with end fan (Option '-E')



Notes

- All dimensions are in inches (mm)
- Tolerance: ±0.012 (±0.3)
- Weight: Enclosed with top fan (option '-F'): 1.23 lbs (560 g)
Enclosed with end fan (option '-E' & '-K'): 1.32 lbs (600 g)
- Mounting holes and mating half connectors common to all models.

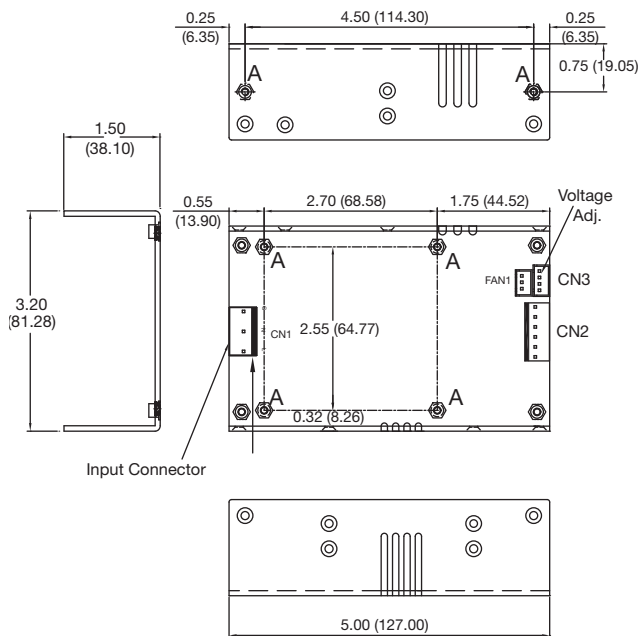
Output Voltage	Output Power		Output Current			Model Number ^(3,4,5,6)
	Forced Cooled	Convection Cooled	Forced Cooled	Convection Cooled	Peak ⁽²⁾	
5 V	210 W	100 W	42.00 A	20.00 A	120.00 A	SDF300PS05 ⁽⁷⁾
9 V	245 W	120 W	27.27 A	13.36 A	66.67 A	SDF300PS09 ⁽⁷⁾
12 V	300 W	150 W	25.00 A	12.50 A	50.00 A	SDF300PS12
15 V	300 W	150 W	20.00 A	10.00 A	40.00 A	SDF300PS15
18 V	300 W	150 W	16.67 A	8.33 A	33.30 A	SDF300PS18 ⁽⁷⁾
24 V	300 W	150 W	12.50 A	6.25 A	25.00 A	SDF300PS24
28 V	300 W	150 W	10.70 A	5.35 A	21.43 A	SDF300PS28 ⁽⁷⁾
36 V	300 W	150 W	8.33 A	4.17 A	16.67 A	SDF300PS36 ⁽⁷⁾
48 V	300 W	150 W	6.25 A	3.12 A	12.50 A	SDF300PS48
54 V	300 W	150 W	5.56 A	2.78 A	11.10 A	SDF300PS54 ⁽⁷⁾
V1: +5.00 V V2: +12.0 V	240 W	120 W	24.00 A 13.33 A	12.00 A 6.67 A	28.80 A 16.00 A	SDF300PD0512 ⁽⁷⁾
V1: +5.00 V V2: +24.0 V	240 W	120 W	24.00 A 6.67 A	12.00 A 3.33 A	28.80 A 8.00 A	SDF300PD0524 ⁽⁷⁾
V1: +5.00 V V2: +48.0 V	240 W	120 W	24.00 A 3.33 A	12.00 A 1.67 A	28.80 A 4.00 A	SDF300PD0548 ⁽⁷⁾
V1: +12.0 V V2: +24.0 V	240 W	120 W	13.33 A 6.67 A	6.67 A 3.33 A	16.00 A 8.00 A	SDF300PD1224 ⁽⁷⁾

Notes

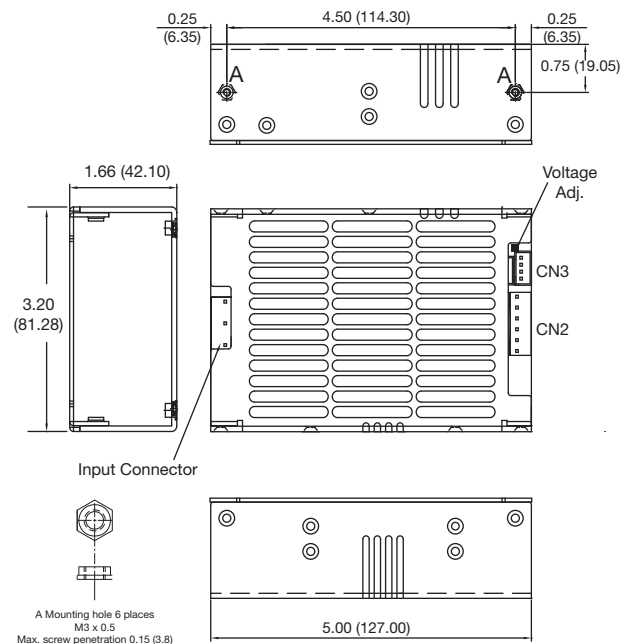
- Ripple & noise is measured using a 0.1 μF ceramic capacitor in parallel with 22 μF electrolytic and 20 MHz bandwidth
- Peak load can be taken for 500 μs. Average power not to exceed max power.
- Add suffix '-C' for vented cover option e.g. SDF300PS24-C
- Add suffix 'D' for optional output terminal block on single output models except the 5 V, 9 V and 12 V output models which are only available with output terminal blocks eg. SDF300PS24D-F.⁽⁷⁾
- Add suffix 'G' for optional input terminal blocks eg. SDF300PS24DG-F, except for enclosed with end fan (option '-E') which has input terminal blocks as standard.⁽⁷⁾
- Add suffix 'H' for optional molex output terminal on dual output models used in convection applications.⁽⁷⁾
- Available for OEM quantities, contact Sales.

Mechanical Details

U-Channel



U-Channel with cover (Option '-C')

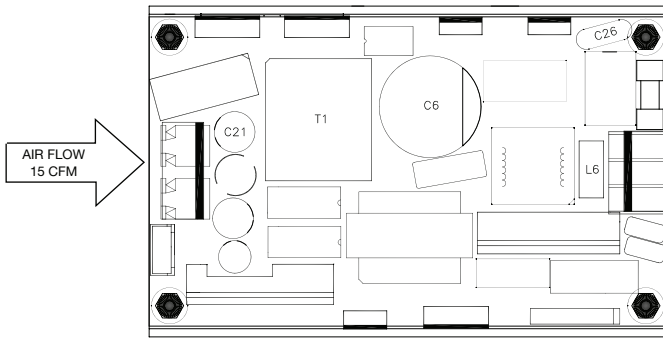


Notes

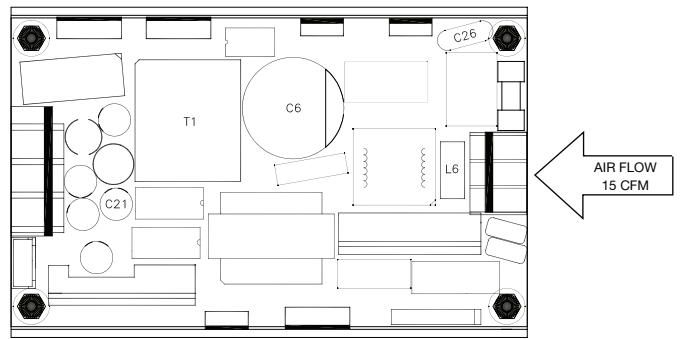
- All dimensions are in inches (mm)
- Tolerance: ±0.012 (±0.3)
- Weight: U-Channel: 1.08 lbs (490 g)
U-Channel with cover (option '-C'): 1.12 lbs (510 g)
- Mounting holes and mating half connectors common to all models.

Application Notes

Thermal Considerations - U Channel



Single Output Models

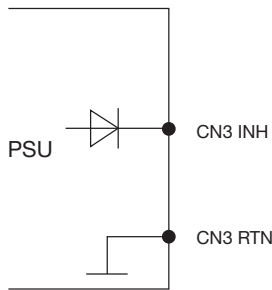


Dual Output Models

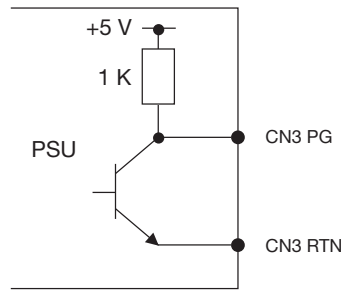
In order to ensure safe operation of the PSU in the end-use equipment, the temperature of the components listed in the table (right) must not be exceeded. See drawing above for component locations. The temperature should be monitored using K type thermocouples placed on the hottest part of the component (out of any direct airflow).

Temperature Measurement	
Component	Max Continuous Temp °C
C26	85
C6	105
C21	105
L6	120
T1 Coil	120

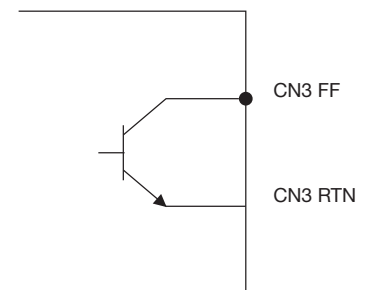
Remote On/Off (INH)



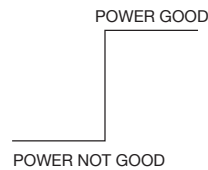
Power Good (PG)



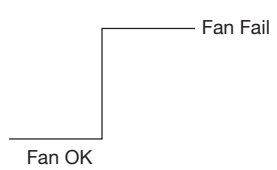
Fan Fail (FF)



- Note:**
- Applying <math><0.3\text{ V}</math> or short between pins INH and RTN turns the output OFF.
 - Applying >math>>4.5\text{ V}</math> or open circuit between pins INH and RTN turns output ON.
 - The output will enter at hiccup mode. Recommended maximum time is 3 minutes.



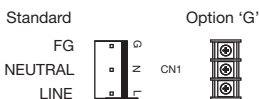
- Note:**
- Sink current = 6 mA, Source current = 1 mA
 - Power is good 100-500 ms after output is in regulation.
 - Power not good at least 1 ms before loss of regulation.



- Note:**
- Open collector signal: 28 V maximum voltage and 5 mA (maximum sink current)

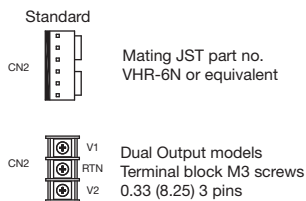
Connectors

INPUT CONNECTORS

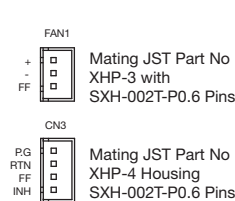


Mating JST part no. VHR-5N or equivalent (5 pin, 3 used)
Crimp contacts for JST VHR Series:
SVH-21T-P1.1 - 22-18awg
SVH-41T-P1.1 - 20-16awg

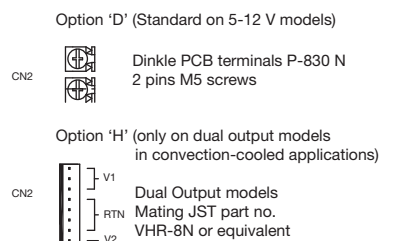
OUTPUT CONNECTORS



SIGNALS & FAN CONNECTORS



OPTIONAL OUTPUT CONNECTORS⁽¹⁾



(1) Available for OEM quantities, contact Sales.