

Air to Liquid Thermoelectric Assembly



ATS PART# ATS-FW-72W-12-C

ATS' air to liquid heat exchanger is a thermoelectric assembly that has a tube attached to the cold side in order to remove heat from the fluid flow in the tube. The cooled fluid can be used to remove heat from areas where the TEC assembly does not fit into.

FEATURES & BENEFITS

- » Compact and lightweight
- » Can be mounted in any orientation
- » No compressor
- » Virtually maintenance free
- » Simple quick installation
- » Air to liquid heat exchanger
- » Uses thermoelectrics



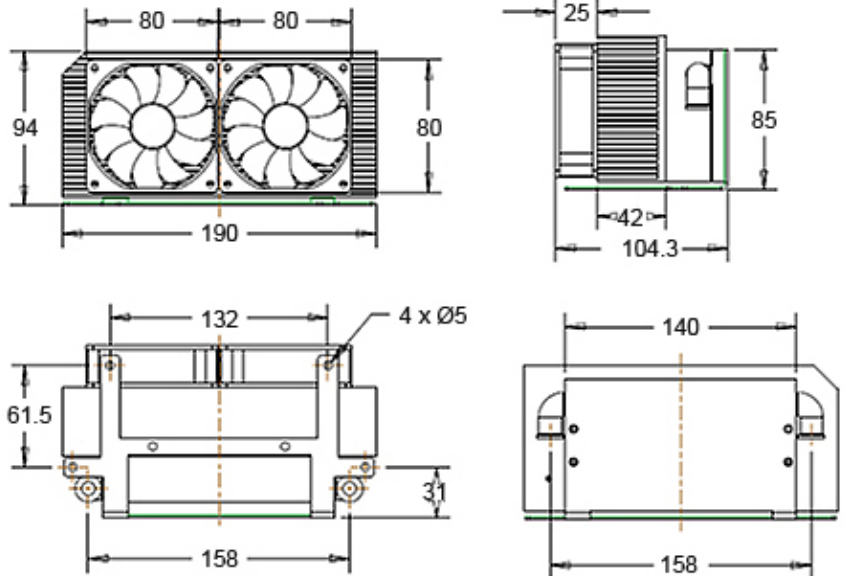
For Illustration Purposes ONLY.

SPECIFICATION

Max Cooling power	72W @ $\Delta T = 0^{\circ}\text{C}$
TEC Voltage	12 VDC
TEC Current	9A
Fan Voltage	24 VDC
Fan Current	0.6A (each)

APPLICATIONS

- » Electronics cooling
- » Medical, surgical and biological process cooling
- » Thermal management
- » Medical equipment
- » Laser diode coolers
- » Laboratory instruments
- » Gas steam dehumidification



Product Detail

Max Cooling Power	TEC Voltage	TEC Current	Hot Side Fan	Cold Side Fan	Operational Temperature	Dimensions (mm)	Weight
72W	12V	9A	92x92x25 mm 12V 0.2A	NA	-10° – 70°	190x94x104.3	1.8 Kgs

NOTES:

1. Please use 24 VDC power supply with the ripple less than 10%
2. Please do not drop, or the TEC can get damaged.
3. Please keep 10cm distance from walls for proper ventilation when mounting.
4. Please do not use it when temperature of the assembly or environment is higher than 70°C.
5. $\Delta T = T_{\text{inlet fluid}} - T_{\text{ambient}}$



ATS ADVANCED THERMAL SOLUTIONS, INC.
Innovations in Thermal Management®