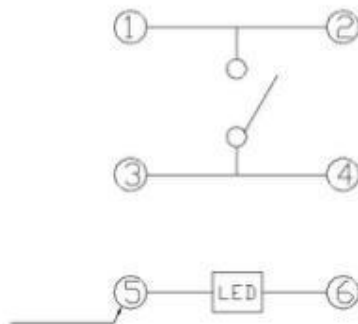
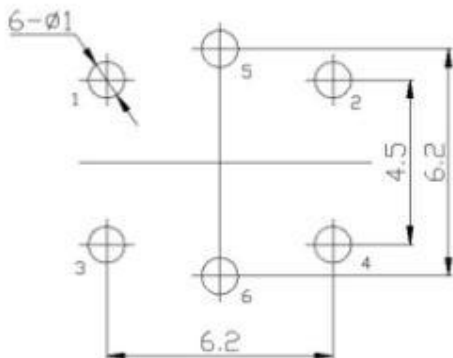
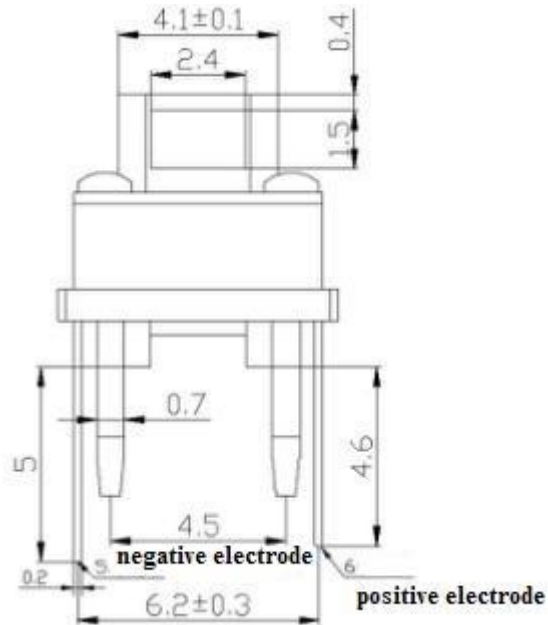
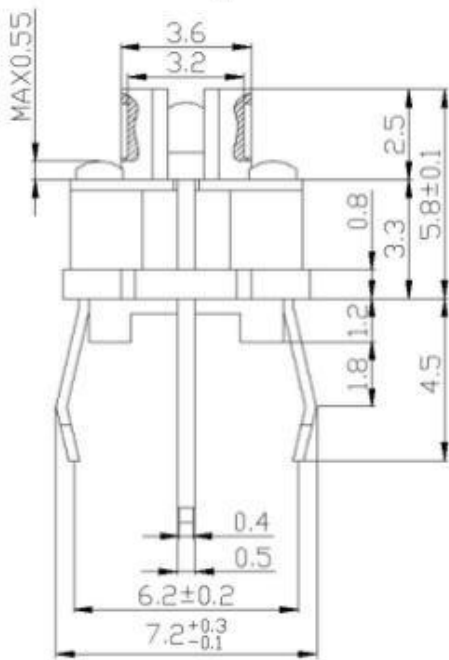
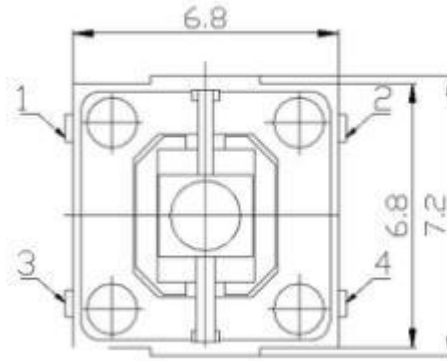
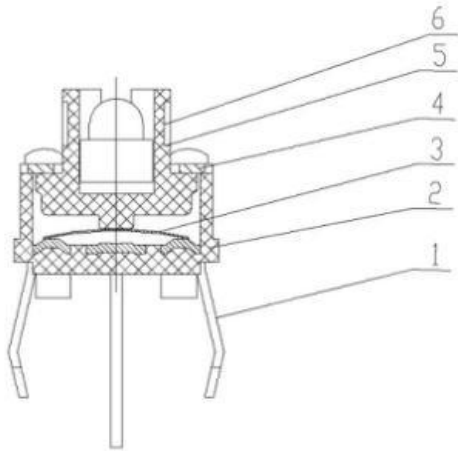


## TSS-TC-1194



CODE	OPERATING FORCE(gf)
X	160±50

### **SPECIFICATIONS**

1. RATING:DC 12V 50mA
2. TRAVEL:0.25± 0.1mm
3. CONTACT RESISTANCE 100mΩ MAX
4. LIFE: normal 50,000~100,000 times  
(over 100,000 times on request)

Note: Specification are subject to change without notice. For more detail and update, please visit our website.