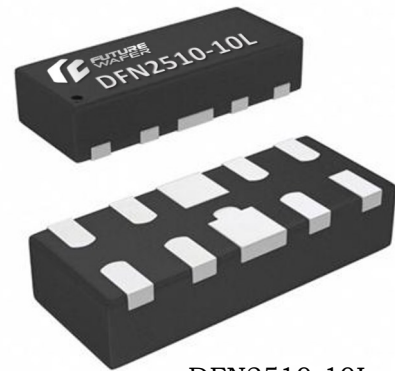
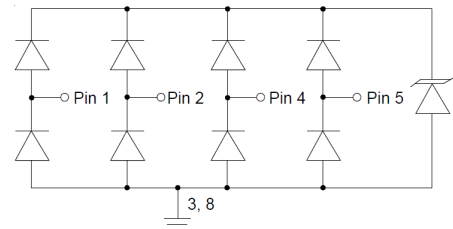


Applications

- Personal Digital Assistance
- Wireless System
- HDMI 1.4
- High Speed Data Line
- Ethernet
- Esata Interfaces


DFN2510-10L


Feature

- With TVS Diode
- ESD Protection: Level 4
- Low clamping voltage
- 150 Watts peak pulse power per line (tp=8/20uS)
- Ultra low capacitance: 0.8pf max. (any I/O to GND.)
- Protection 4 lines I/O port

IEC Compatibility

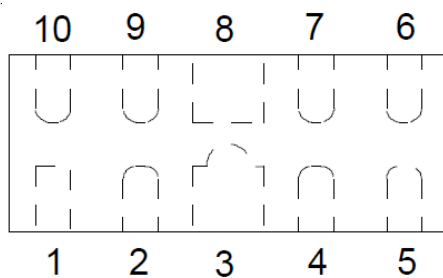
- EN61000-4
- 61000-4-2(ESD): Level 4, Contact: >±12kv, Air: >±17kv
- 61000-4-4(EFT): 40A-5/50ns
- 61000-4-5(Surge): 5A, 8/20us
- Flow-Through design

Mechanical Characteristics

- Molded JEDEC DFN 10pin package (2.5x1.0x0.58mm)
- Packing: Tape and Reel
- Flammability rating UL 94V-0
- Halogen Free

Device Characteristics

Maximum Ratings@25 unless otherwise specified			
Parameter	Symbol	Value	Units
Peak pulse power (tp=8/20us) see fig 1.	PPP	150	Watts
Operating Temperature	TJ	-55~150	°C
Storage Temperature	TSTG	-55~150	°C



Pin	Identification
1,2,4,5	Input lines
6,7,9,10	Output lines
3,8	Ground

Electrical Characteristics

Parameter	Symbol	Condition	Min.	Typ.	Max.	Units
Reverse Stand-off Voltage	VRWM	Any I/O Pin to GND			5	V
Reverse Breakdown Voltage	VBR	IZ=1mA Any I/O Pin to GND.	6.1		9.6	V
Reverse Leakage Current	IR@VR=5V	Any I/O Pins to GND.			0.9	uA
Forward Voltage	VF	IF=15mA GND to any I/O Pins			1.15	V
Clamping Voltage	VC	IPP=1A tp=8/20us IPP=5A, tp=8/20us			15 28	V
Junction Capacitance	C I/O-GND C I/O-I/O	Vdc=0V, f=1MHZ			0.8 0.4	pf

Rating and Characteristic curve

FIGURE 1
Non-repetitive Peak pulse power V.S pulse time

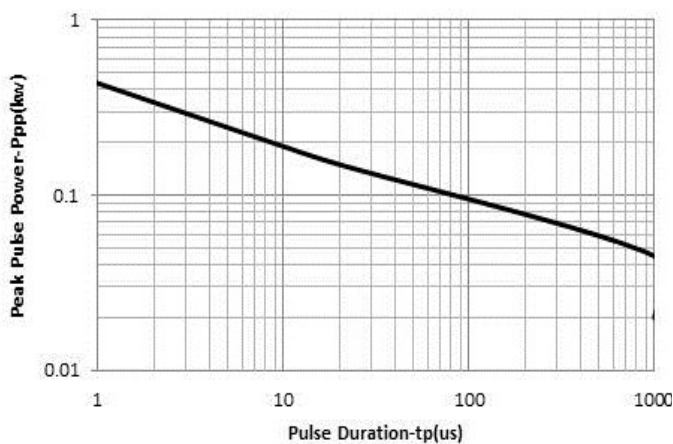
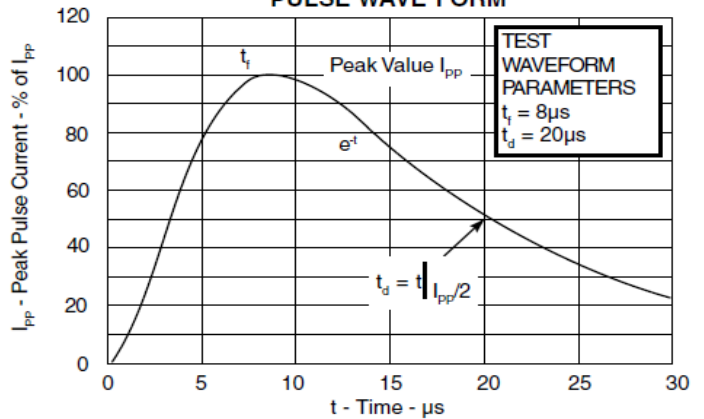


FIGURE 2
PULSE WAVE FORM



Typical Characteristics

FIGURE 3
Power Derating Curve

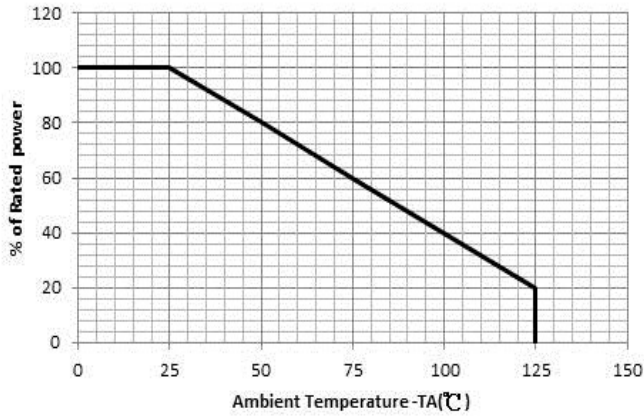


FIGURE 4
Normalized Capacitance vs.Reverse Voltage(I/O-GND)

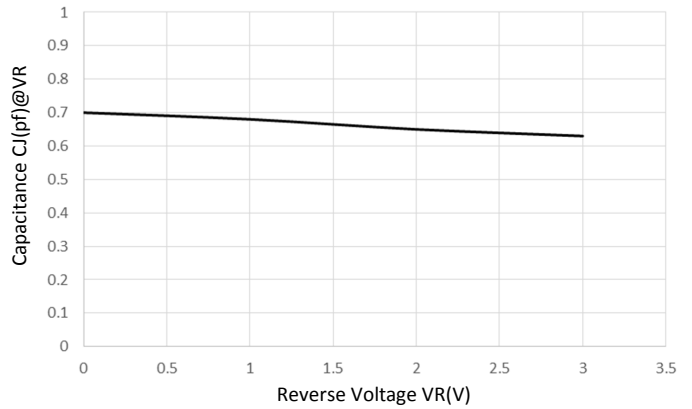


FIGURE 5
Forward Voltage VF Map GND to I/O pins

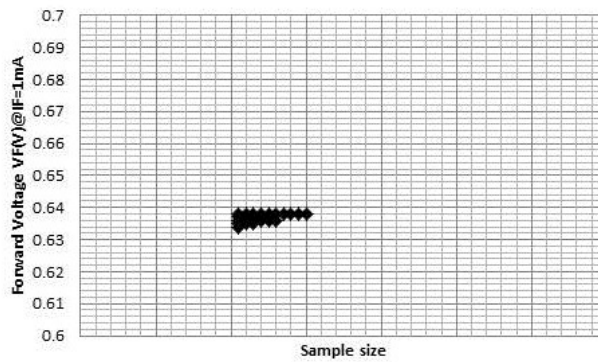
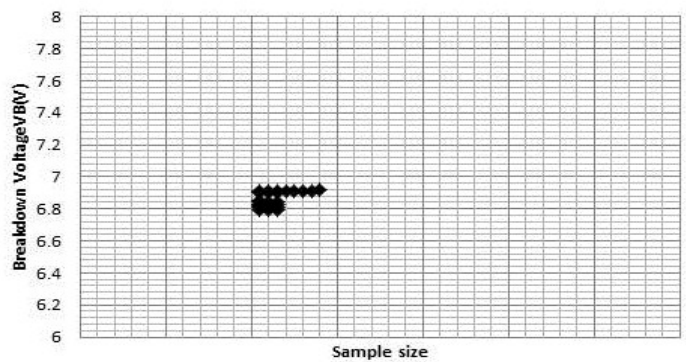
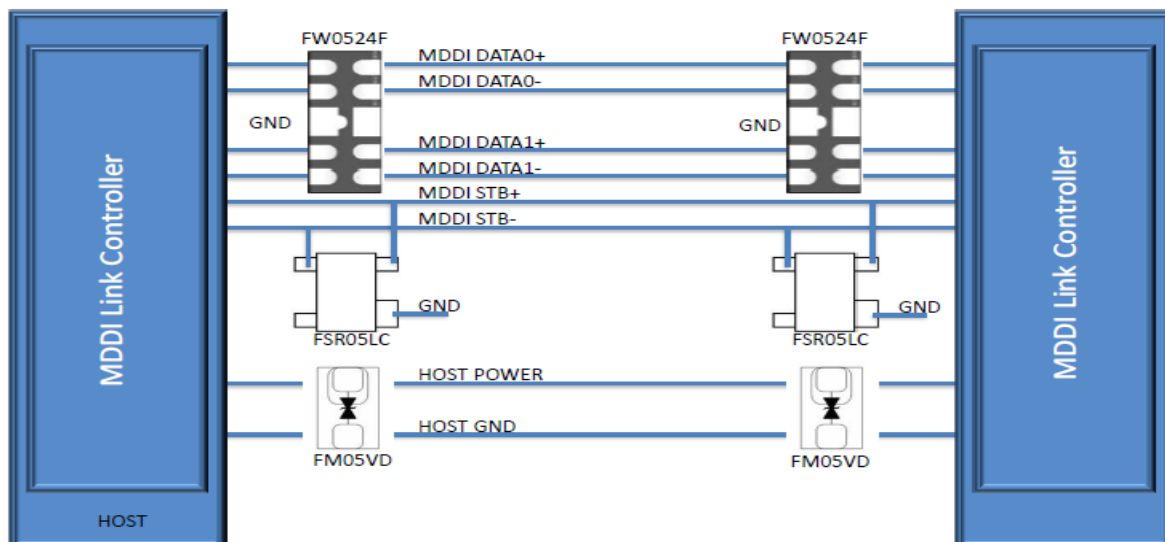


FIGURE 6
Breakdown Voltage VB Map Any I/O Pin to GND.

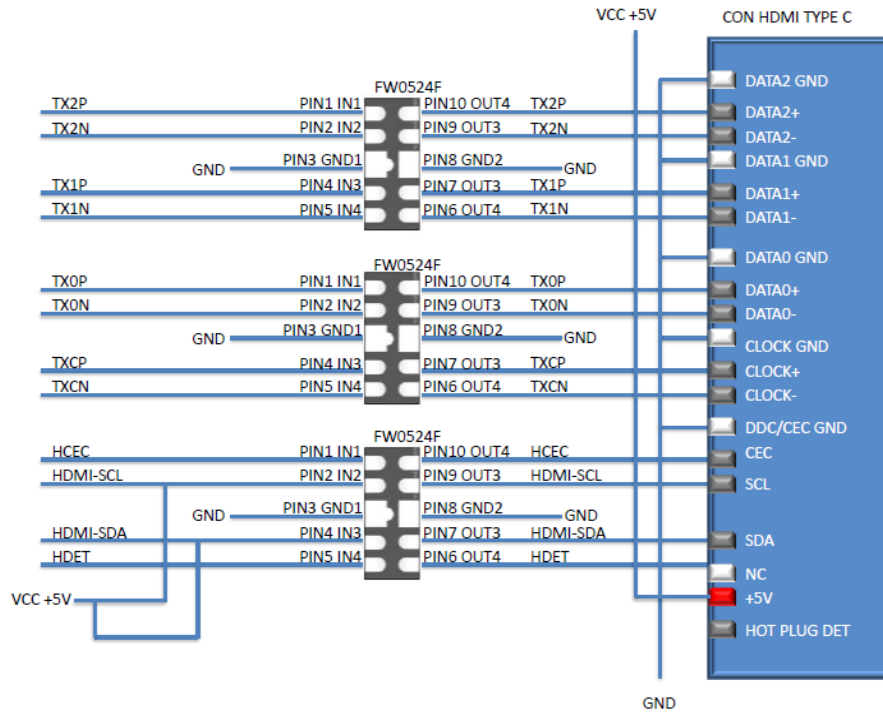


Application

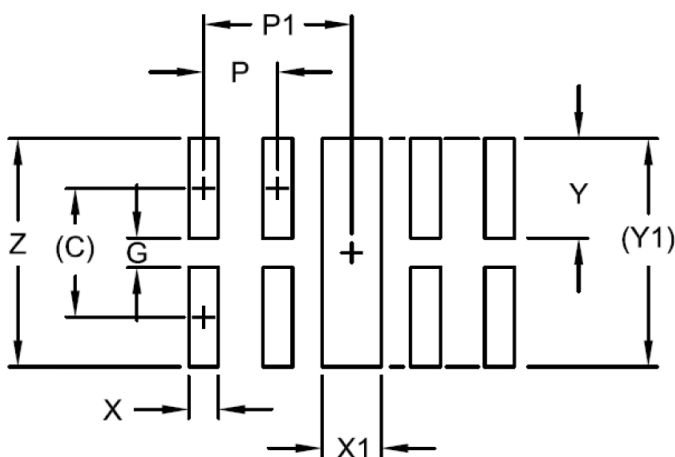
MDDI Port Protection



Application



Suggested PAD Layout



DIMENSIONS		
DIM	INCHES	MILLIMETERS
C	(.034)	(0.875)
G	.008	0.20
P	0.20	0.50
P1	.039	1.00
X	.008	0.20
X1	.016	0.40
Y	.027	0.675
Y1	(.061)	(1.55)
Z	.061	1.55

Ordering Information

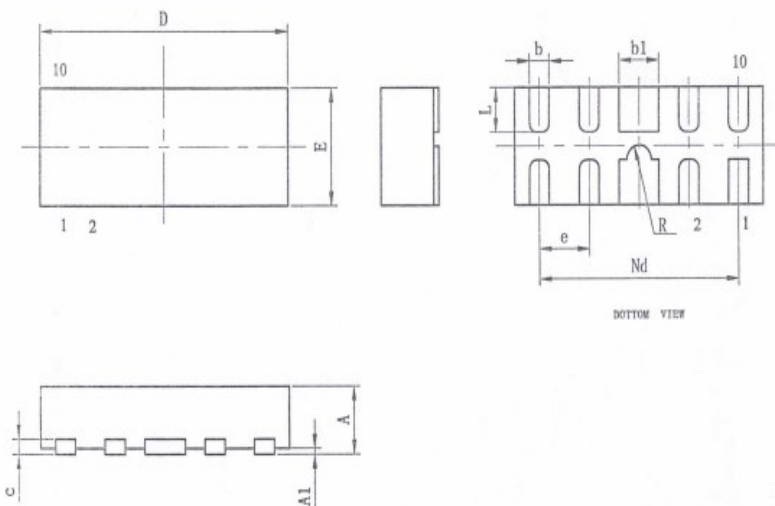
Marking code



Tape & Reel Information

Reel size	Reels per Box	Parts per Box	Box dimensions	Shipping Weight(Max.)
			cm	KG
7"	5	15,000	50x24x21(4 reels)	2.8(60k/box)

Package Information



SYMBOL	MILLIMETER		
	MIN	NOM	MAX
A	0.450	0.500	0.550
A1		0.020	0.050
b	0.150	0.200	0.250
b1	0.350	0.400	0.450
c	0.100	0.150	0.200
D	2.400	2.500	2.600
e	0.50BSC		
Nd	2.00BSC		
E	0.900	1.000	1.100
L	0.300	0.380	0.430
R	0.120	0.125	0.130



Futurewafer Technology co., Ltd 台灣未來芯航電股份有限公司

Tel : +886-3-3573583 / Fax : +886-3-3574065

Futurewafer.com.tw

桃園市桃園區中正路 987 巷 50 弄 2 號