



## N-Channel MOSFET BSS87 (KSS87)

### ■ Typical Characteristics

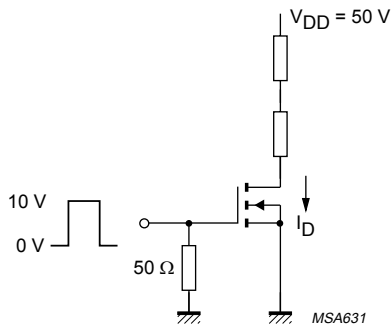


Fig.1 Switching times test circuit.

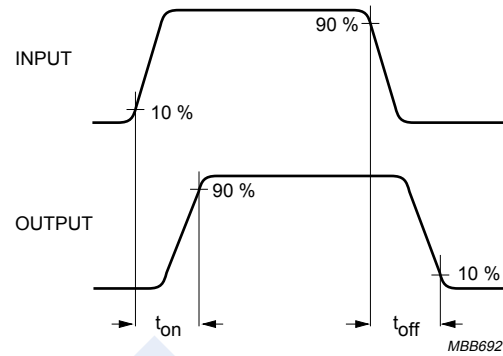


Fig.2 Input and output waveforms.