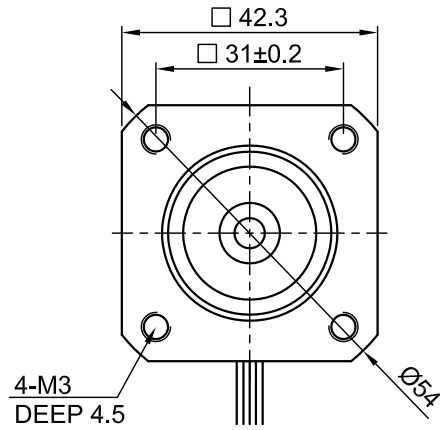
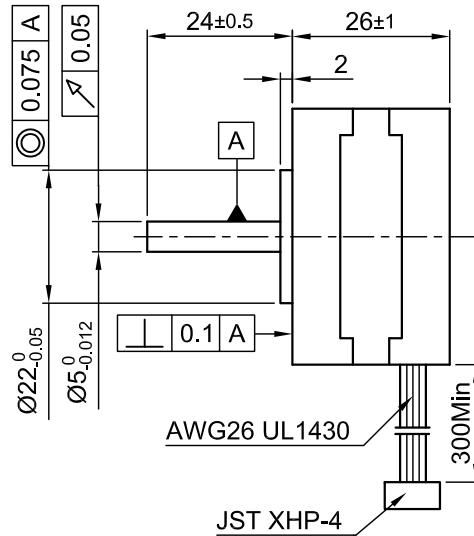


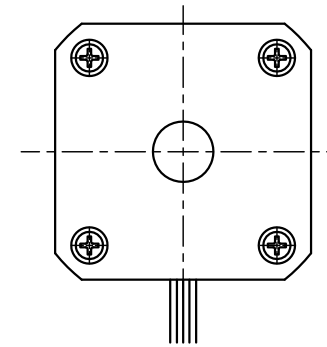
Front view and mounting



Side view

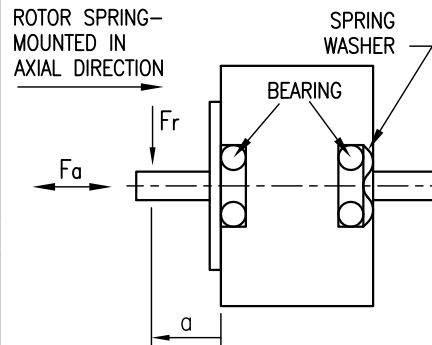


Rear view



SPECIFICATION	CONNECTION	BIPOLAR
VOLTAGE (VDC)		2.8
AMPS/PHASE		1.4
RESISTANCE/PHASE (Ohms)@25°C		2.0±15%
INDUCTANCE/PHASE (mH) @1KHz		1.6±20%
HOLDING TORQUE (Nm) [lb-in]		0.09 [0.797]
DETENT TORQUE (Nm) [lb-in]		3.1x10 ⁻⁴ [2.79x10 ⁻³]
STEP ANGLE (°)		1.8
STEP ACCURACY (NON-ACCUM)		±5%
ROTOR INERTIA (Kg-m ²) [lb-in ²]		2.0x10 ⁻⁶ [6.83x10 ⁻⁴]
WEIGHT (Kg) [lb]		0.15 [0.33]

PERMISSIBLE RADIAL+AXIAL FORCE

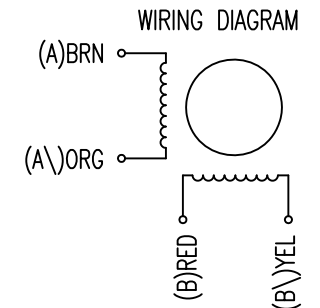


TEMPERATURE RISE: MAX.80°C (MOTOR STANDSTILL; FOR 2 PHASE ENERGIZED)	AXIAL-FORCE Fa (N)	Fa=7
AMBIENT TEMPERATURE -10~ 50°C [14°F ~ 122°F]	DISTANCE a (mm)	5 10 15 20
INSULATION RESISTANCE 100 MOhm (UNDER NORMAL TEMPERATURE AND HUMIDITY)	RADIAL-FORCE Fr (N)	58 36 26 20
INSULATION CLASS B 130° [266°F]		AXIAL RADIAL
DIELECTRIC STRENGTH 500VAC FOR 1 MIN. (BETWEEN THE MOTOR COILS AND THE MOTOR CASE)	SHAFT PLAY (mm)	0.08 0.02
AMBIENT HUMIDITY MAX. 85% (NO CONDENSATION)	AT LOAD MAX: (N)	4.5 4.5

PIN NO	TYPE OF CONNECTION (EXTERN)		MOTOR	
	BIPOLAR	LEADS	WINDING	
1	A —	BRN	A	[Circuit diagram showing two coils in series]
2	A\ —	ORG	A\	
3	B —	RED	B	[Circuit diagram showing two coils in series]
4	B\ —	YEL	B\	

FULL STEP 2 PHASE-Ex., WHEN FACING MOUNTING END (X)

STEP	A	B	A\	B\	CCW	CW
1	+	+	-	-	↓	↑
2	-	+	+	-	↑	↓
3	-	-	+	+	↓	↑
4	+	-	-	+	↑	↓



REV	DESCRIPTION	DATE	APVD



ST4118X1404-A

SCALE FREE	APVD	S.Ha.	17.10.08
X ±0.5	CHKD		
1PL ±0.2	DRN	J.W.	17.10.08
2PL ±0.1	SIGNATURE	DATE	
ANGLE ±30'			

STEPPING MOTOR

DWG.NO

ST4118X1404-A