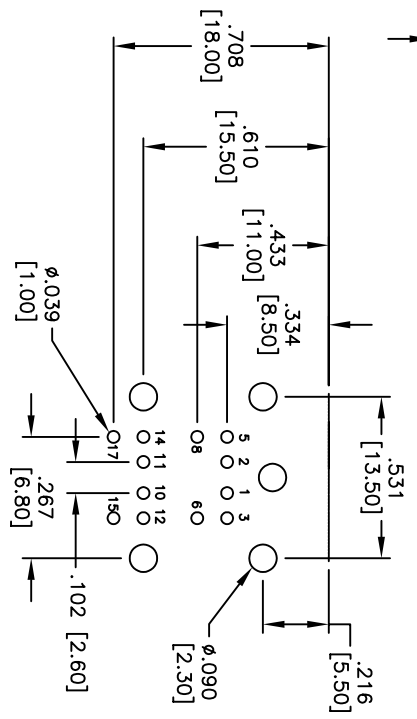
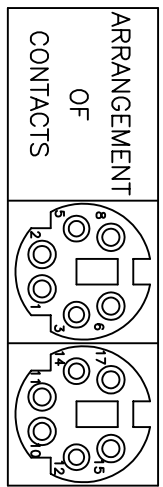
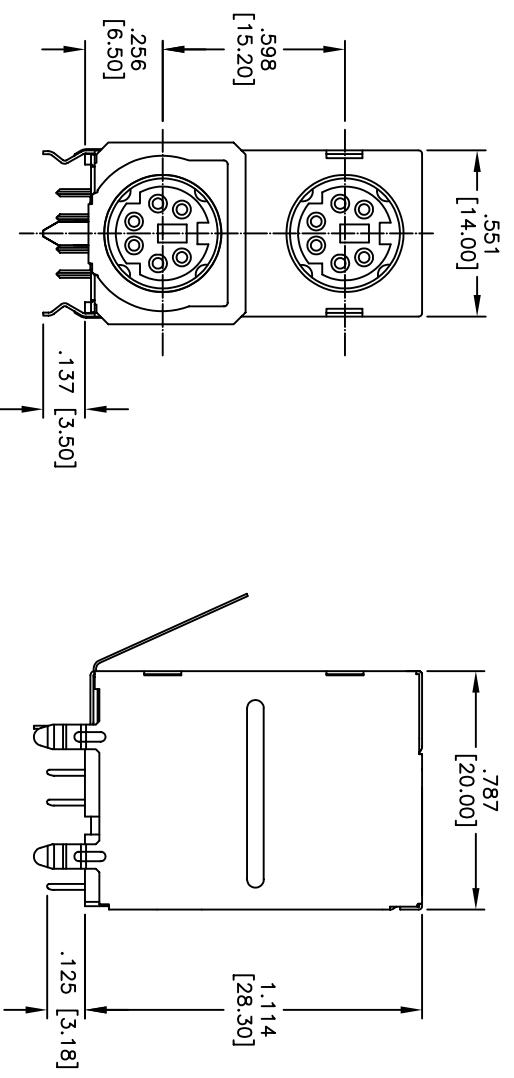


| Rev | AWO # | Description | Date | Appr |
|-----|-------|-------------|----------|------|
| - | | RELEASED | 06/07/05 | |

APPROVED: _____ TITLE: _____
 DATE: _____



PCB LAYOUT
(BOTTOM VIEW)

SPECIFICATIONS:

Material: Insulator: PBT, glass filled, rated UL 94V-0
 Insulator color: Black
 Contacts: Phosphor Bronze
 Shield: Copper Alloy, Tin plated
 Plating: Gold
 Flash over Nickel underplate on contact area, Tin over Copper underplate on tails

Electrical:

Operating voltage: 100 VAC/12 VDC max.
 Current rating: 1 Amp max./2 Amps max.
 Contact resistance: 20 mohms max. initial
 Insulation resistance: 500 Mohms min.
 Dielectric withstanding voltage: 500 VAC for 1 minute
 Temperature Rating: Operating temperature: -25°C to +70°C

Environmental: Lead free, RoHS compliant.
 Recommended soldering temp: 230 for 5 sec.



| | | | |
|---|--------|----------------|--------|
| UNLESS OTHERWISE SPECIFIED ALL DIMENSIONS ARE INCHES [MM] TOLERANCES: EXCEPT AS NOTED | | TITLE | |
| INCHES | ± .10 | ØXX | ± .10 |
| XX | ± .020 | ØXXX | ± .015 |
| XXX | ± .015 | ØXXXX | ± .010 |
| APPROVALS | | DATE | |
| DRAWN | SS | 06/07/05 | |
| CHECKED | | | |
| APPROVED | | | |
| SIZE | | PART NO. | |
| X | | MDJD-006-FS-PG | |
| REF: | | SCALE: NTS | |
| | | SHEET 1 OF 1 | |

ADAM TECH

909 Rahway Avenue, Union, NJ 07083
 Phone: 908-687-5000 Fax: 908-687-5710

STACKED MINI DIN JACK, RIGHT ANGLE,
 FULL SHIELD, 6 POSITION, PANEL GROUND