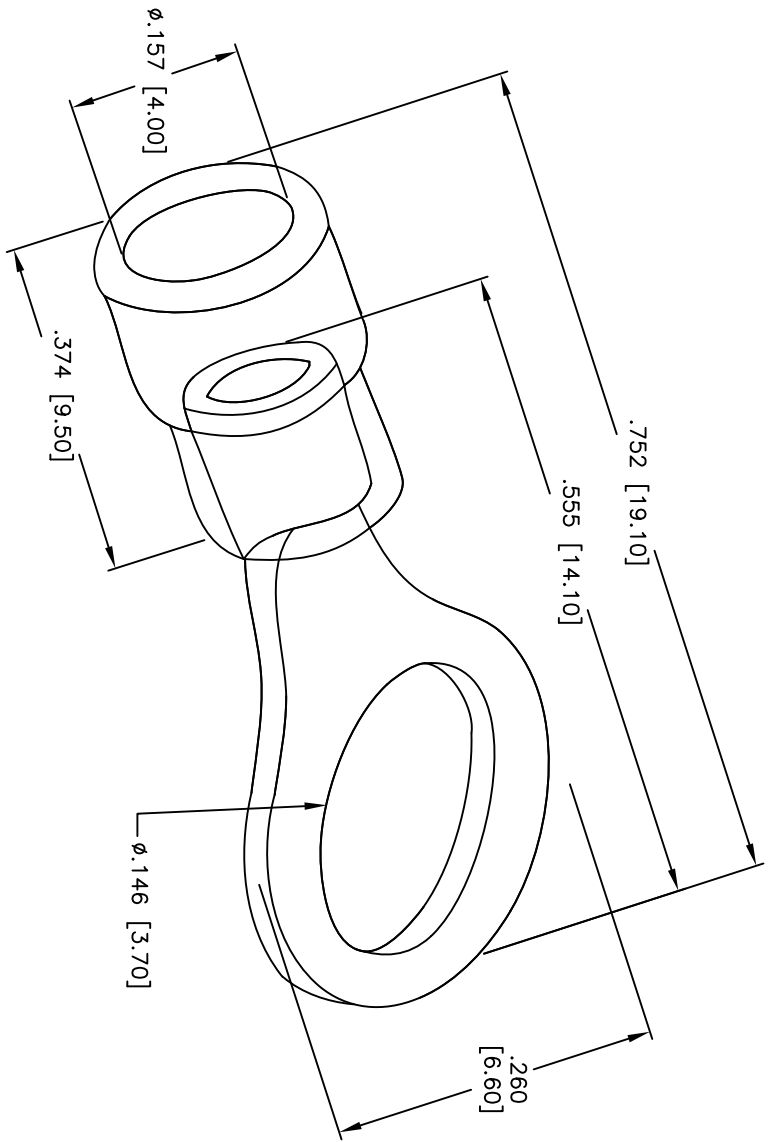


Rev	AWO #	Description	Date	Appr
-		RELEASED	9/17/10	

APPROVED: _____
 DATE: _____ TITLE: _____



ADAM TECH

909 Railway Avenue, Union, NJ 07083
 Phone: 908-687-5000 Fax: 908-687-5710

TITLE: .146" RING TERMINAL, WITH INSULATED

UNLESS OTHERWISE SPECIFIED ALL DIMENSIONS ARE INCHES [MM]	
TOLERANCES: EXCEPT AS NOTED	
INCHES	HOLDS
.X ± .10	ØXX ± .10
.XX ± .020	ØXXX ± .015
.XXX ± .015	ØXXXX ± .010
APPROVALS	DATE
DRAWN DY	9/17/10
CHECKED	
APPROVED	

SIZE	PART NO.	REV.
X	8RT-.146/.260/.157-T	-
REF: S0015T	SCALE: NTS	SHEET 1 OF 1

SPECIFICATIONS:
 Terminal: Brass, Matt Tin plated
 Insulator color: Red
 Thickness: 0.8mm
 Environmental:
 Lead free, RoHS compliant.



6 5 4 3 2 1