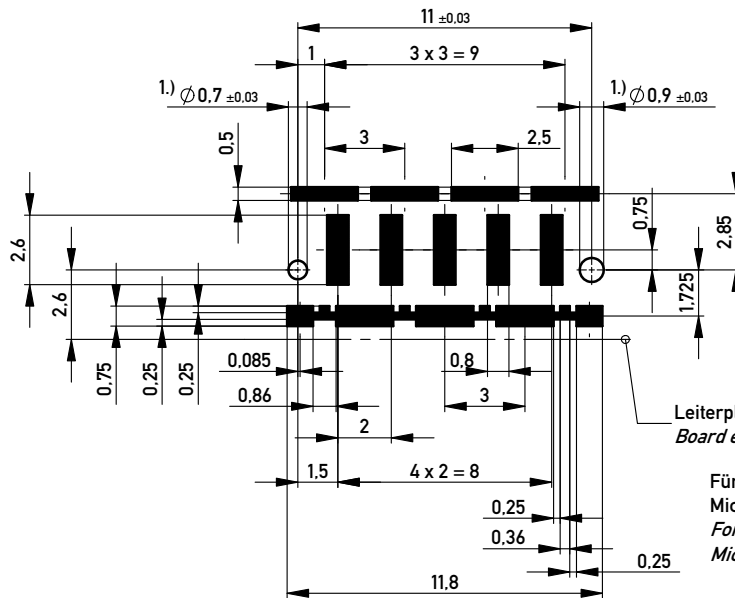


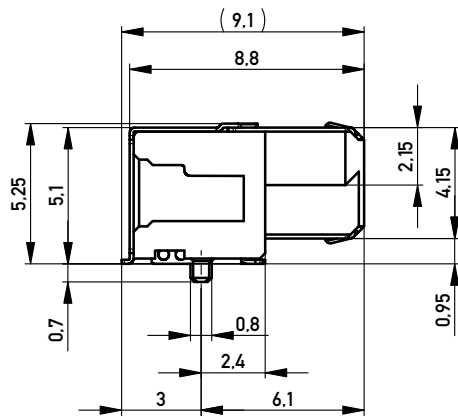
Leiterplatten-Layout Vorschlag / PCB-Layout Proposal



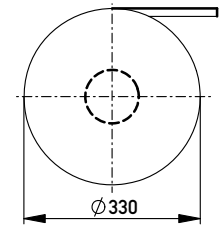
1.) Durchmesser des Bohrers /
Drill tool

Leiterplattenkante
Board edge

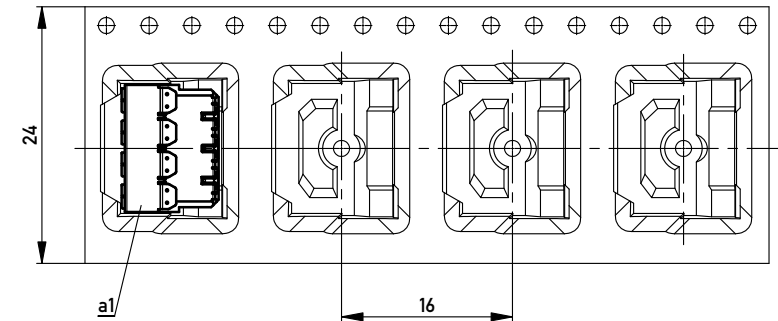
Für weitere Layout Details bitte
MicroSpeed Applikations Schrift beachten.
For further layout details please consider
MicroSpeed application note.



Verpackt in Gurtverpackung
Tape on Reel Packaging
Verpackungseinheit: 500 Stück
Packaging unit: 500 pcs



Abspulrichtung - Reel off Direction

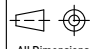



Anforderungsstufe 1
Performance Level 1

Kontaktbereich vergoldet
Mating Area gold plating

Anschlussbereich verzinkt 4-6 µm
Terminal Area 4-6 µm tin plating

Koplanarität der Anschlüsse ≤ 0,1 mm
Coplanarity Area of Termination ≤ 0,1 mm

Information:		Tolerances		Scale	5:1
All rights reserved. Only for Information. To ensure that this is the latest version of this drawing, please contact one of the ERNI companies before using.		All Dimensions in mm		Designation	
Subject to modification without prior notice. Drawing will not be updated.				MSpeed Federl. 90° PM SMD MSpeed female 90° PM SMD	
c	26.03.2013	www.ERNI.com		364709	
Index	Date	Class		MSPPM	
				I A3	

Copyright by ERNI GmbH.
Proprietary notice pursuant to ISO 9006 to be observed.