

**AUTOMOTIVE COMPLIANT ADJUSTABLE PRECISION SHUNT REGULATOR**
**Description**

The ZTL431xQ and ZTL432xQ are three terminal adjustable shunt regulators offering excellent temperature stability and output current handling capability up to 100mA. The output voltage may be set to any chosen voltage between 2.5 and 20 volts by selection of two external divider resistors.

The ZTL432xQ has the same electrical specifications as the ZTL431xQ but has a different pin out in SOT23 (F-suffix) and SOT23F (FF-suffix).

Both variants are available in 2 grades with initial tolerances of 1% and 0.5% for the A and B grades respectively.

These are functionally equivalent to the TL431/TL432 except for maximum operation voltage, and have an ambient temperature range of -40°C to +125°C as standard.

The ZTL431xQ and ZTL432xQ are qualified to AEC-Q100 Grade 1 and are Automotive Compliant supporting PPAPs.

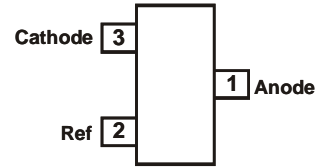
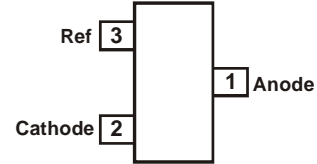
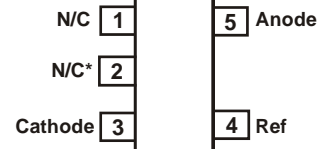
**Features**

- Temperature Range: -40°C to +125°C
- Reference Voltage Tolerance at +25°C
  - 0.5%: B Grade
  - 1%: A Grade
- 0.2Ω Typical Output Impedance
- Sink Current Capability: 1mA to 100mA
- Adjustable Output Voltage:  $V_{REF}$  to 20V
- Green Molding in SOT23, SOT23F and SOT25
- **Totally Lead-Free & Fully RoHS Compliant (Notes 1 & 2)**
- **Halogen and Antimony Free. "Green" Device (Note 3)**
- **Qualified to AEC-Q100 Standards for High Reliability**
  - AEC-Q100 Grade 1
  - PPAP Capable (Note 4)

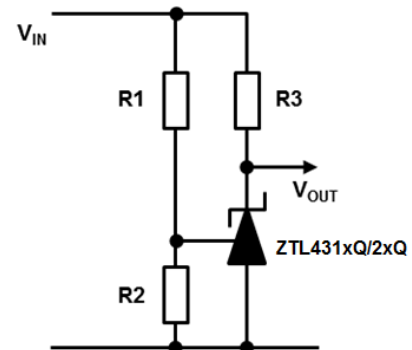
**Applications**

- Opto-Coupler Linearization
- Linear Regulators
- Improved Zener
- Variable Reference

- Notes:
1. No purposely added lead. Fully EU Directive 2002/95/EC (RoHS) & 2011/65/EU (RoHS 2) compliant.
  2. See [http://www.diodes.com/quality/lead\\_free.html](http://www.diodes.com/quality/lead_free.html) for more information about Diodes Incorporated's definitions of Halogen and Antimony-free, "Green" and Lead-free.
  3. Halogen- and Antimony-free "Green" products are defined as those which contain <900ppm bromine, <900ppm chlorine (<1500ppm total Br + Cl) and <1000ppm antimony compounds.
  4. Automotive Compliant products are AEC-Q100 qualified and are PPAP capable. Refer to [http://www.diodes.com/quality/product\\_compliance\\_definitions/](http://www.diodes.com/quality/product_compliance_definitions/).

**Pin Assignments**
**ZTL431xQF SOT23, ZTL431xQFF SOT23F  
(Top View)**

**ZTL432xQF SOT23, ZTL432xQFF SOT23F  
(Top View)**

**ZTL431xQE5 SOT25  
(Top View)**


\*must be left floating or connected to pin 5

**Typical Application**


**Absolute Maximum Ratings** (Voltages specified are relative to the ANODE pin unless otherwise stated.)

Parameter	Rating	Unit
Cathode Voltage ( $V_{KA}$ )	20	V
Continuous Cathode Current ( $I_{KA}$ )	150	mA
Reference Input Current Range ( $I_{REF}$ )	-50 $\mu$ A to +10mA	—
Operating Junction Temperature	-40 to +150	$^{\circ}$ C
Storage Temperature	-55 to +150	$^{\circ}$ C
<b>ESD Susceptibility</b>		
HBM	Human Body Model	2
MM	Machine Model	200
CDM	Charged Device Model	1

Caution: Stresses greater than the 'Absolute Maximum Ratings' specified above, may cause permanent damage to the device. These are stress ratings only; functional operation of the device at conditions between maximum recommended operating conditions and absolute maximum ratings is not implied. Device reliability may be affected by exposure to absolute maximum rating conditions for extended periods of time.

(Semiconductor devices are ESD sensitive and may be damaged by exposure to ESD events. Suitable ESD precautions should be taken when handling and transporting these devices.)

**Package Thermal Data**

Package	$\theta_{JA}$	$P_{DIS}$ $T_A = +25^{\circ}$ C, $T_J = +125^{\circ}$ C
SOT23	380 $^{\circ}$ C/W	260mW
SOT23F	138 $^{\circ}$ C/W	720mW
SOT25	250 $^{\circ}$ C/W	400mW

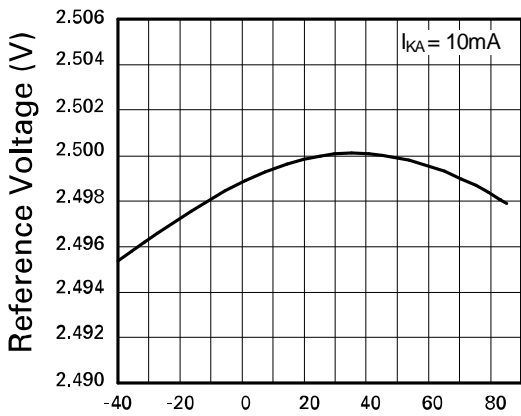
**Recommended Operating Conditions** (@ $T_A = +25^{\circ}$ C, unless otherwise specified.)

Symbol	Parameter	Min	Max	Unit
$V_{KA}$	Cathode Voltage	$V_{REF}$	20	V
$I_{KA}$	Cathode Current	1	100	mA
$T_A$	Operating Ambient Temperature Range	-40	+125	$^{\circ}$ C

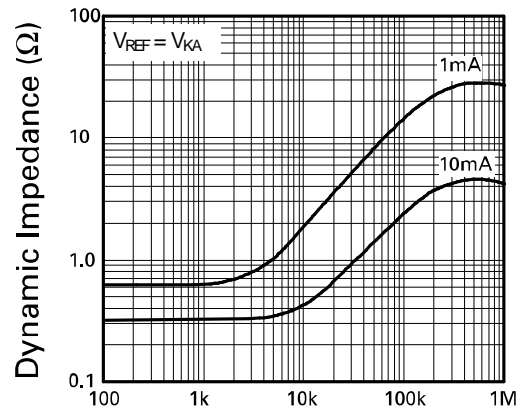
**Electrical Characteristics** (@ $T_A = +25^{\circ}$ C, unless otherwise specified.)

Symbol	Parameter	Conditions	Min	Typ	Max	Units
$V_{REF}$	Reference Voltage	$V_{KA} = V_{REF}$ $I_{KA} = 10$ mA	A - grade 2.475	2.5	2.525	V
			B - grade 2.487	2.5	2.513	
$V_{DEV}$	Deviation of Reference Voltage Over Full Temperature Range	$V_{KA} = V_{REF}$ $I_{KA} = 10$ mA	$T_A = 0$ to $+70^{\circ}$	—	6	16
			$T_A = -40$ to $+85^{\circ}$ C	—	14	34
			$T_A = -40$ to $+125^{\circ}$ C	—	14	34
$\frac{\Delta V_{REF}}{\Delta V_{KA}}$	Ratio of Change In Reference Voltage To the Change In Cathode Voltage	$I_{KA} = 10$ mA	$V_{KA} = V_{REF}$ to 10	—	-1.4	-2.7
			$V_{KA} = 10$ V to 20V	—	-1.0	-2.0
$I_{REF}$	Reference Input Current	$I_{KA} = 10$ mA, $R_1 = 10$ k $\Omega$ , $R_2 = OC$	—	2	4	$\mu$ A
$\Delta I_{REF}$	$I_{REF}$ Deviation Over Full Temperature Range	$I_{KA} = 10$ mA $R_1 = 10$ k $\Omega$ $R_2 = OC$	$T_A = 0$ to $+70^{\circ}$ C	—	0.8	1.2
			$T_A = -40$ to $+85^{\circ}$ C	—	0.8	2.5
			$T_A = -40$ to $+125^{\circ}$ C	—	0.8	2.5
$I_{KA(MIN)}$	Minimum Cathode Current for Regulation	$V_{KA} = V_{REF}$	—	—	0.4	0.6
$I_{KA(OFF)}$	Off State Current	$V_{KA} = 20$ V, $V_{REF} = 0$ V	—	—	0.1	0.5
$R_Z$	Dynamic Output Impedance	$V_{KA} = V_{REF}$ , $f = 0$ Hz	—	—	0.2	0.5

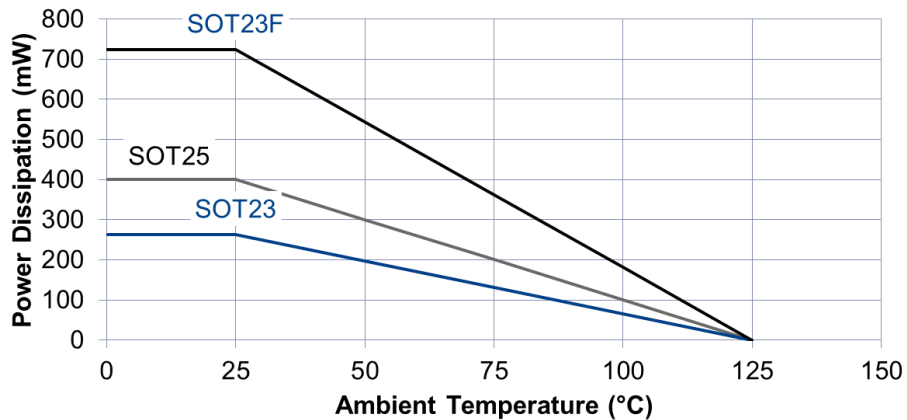
**Typical Characteristics**



Reference Voltage vs. Temperature

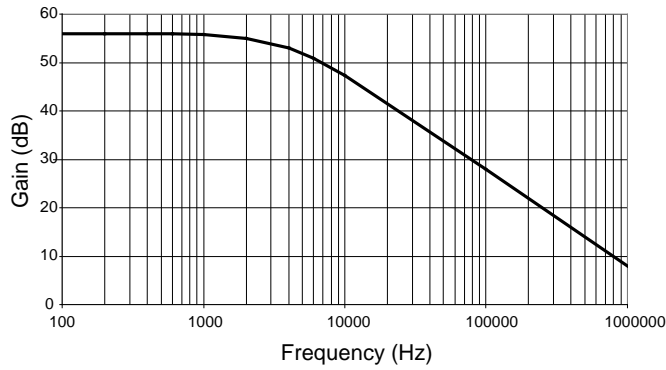


Dynamic Impedance vs. Frequency

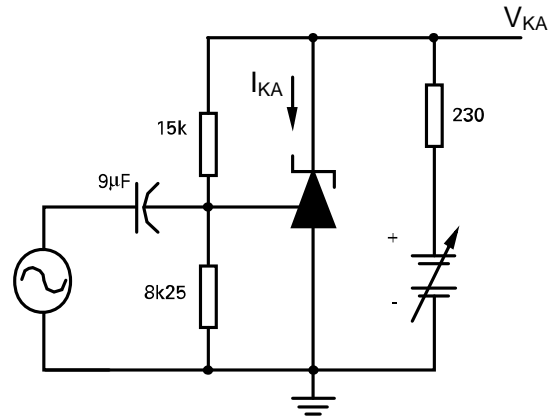


Power Dissipation Derating

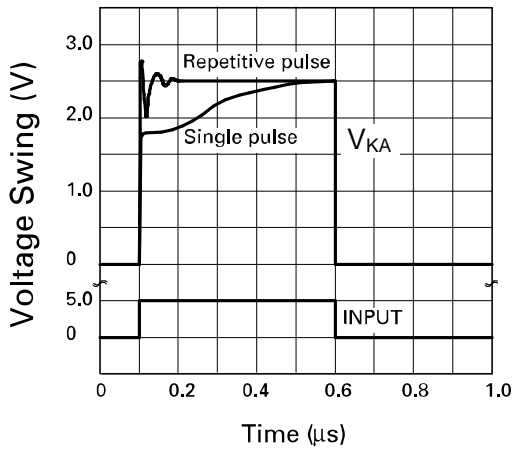
**Typical Characteristics** (Continued)



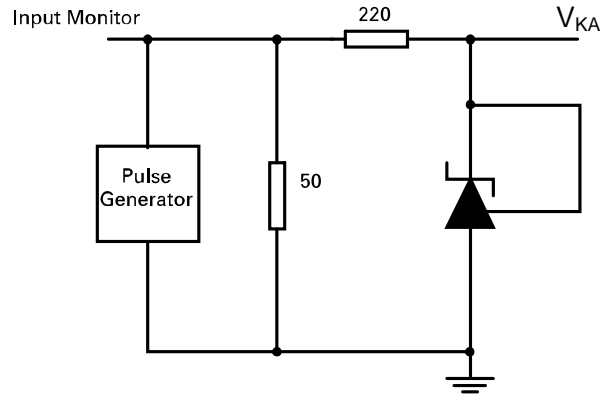
Gain vs. Frequency



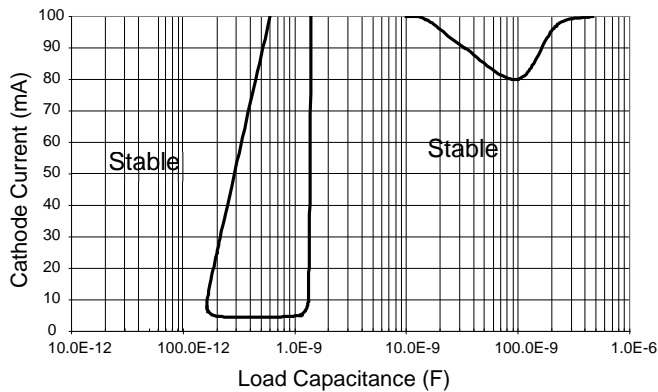
$I_{KA} = 10\text{mA}$ ,  $T_A = 25^\circ\text{C}$   
Test Circuit for Open Loop Voltage Gain



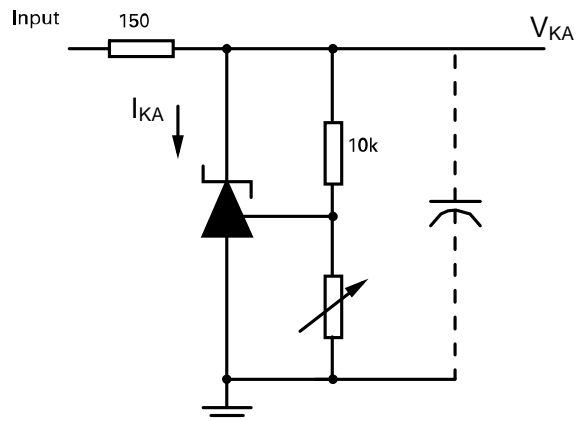
Pulse Response



$T_A = 25^\circ\text{C}$   
Test Circuit for Pulse Response

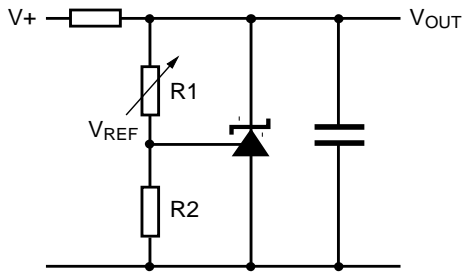


Stability Boundary Condition



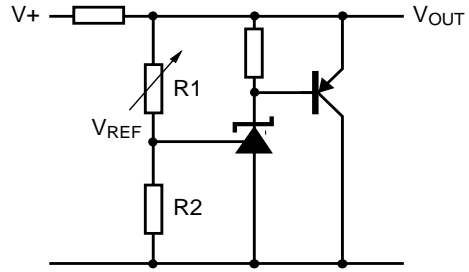
$V_{REF} < V_{KA} < 20$ ,  $I_{KA} = 10\text{mA}$ ,  $T_A = 25^\circ\text{C}$   
Test Circuit for Stability Boundary Conditions

**Application Circuits**



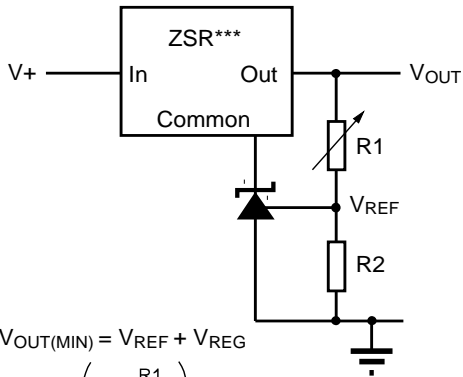
$$V_{OUT} = \left(1 + \frac{R1}{R2}\right) V_{REF}$$

Shunt regulator



$$V_{OUT} = \left(1 + \frac{R1}{R2}\right) V_{REF}$$

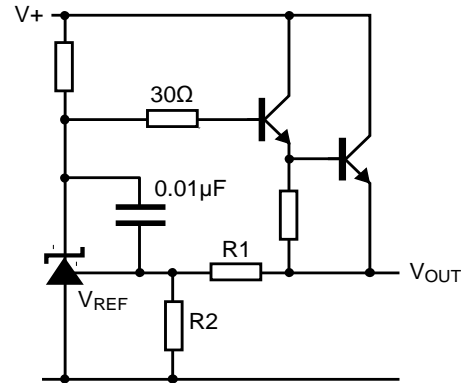
Higher current shunt regulator



$$V_{OUT(MIN)} = V_{REF} + V_{REG}$$

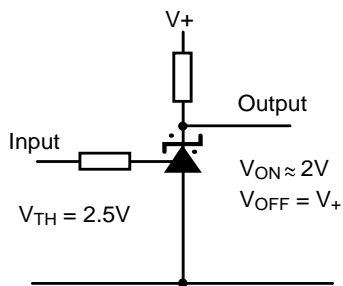
$$V_{OUT} = \left(1 + \frac{R1}{R2}\right) V_{REF}$$

Output control of a three terminal fixed regulator

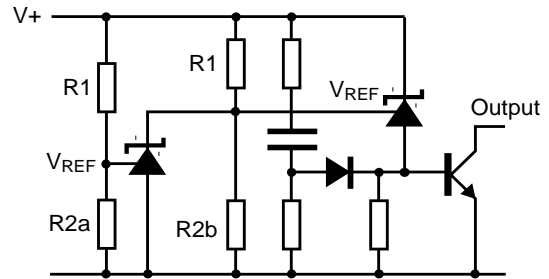


$$V_{OUT} = \left(1 + \frac{R1}{R2}\right) V_{REF}$$

Series regulator



Single supply comparator with temperature compensated threshold



$$\text{Low limit} = \left(1 + \frac{R1B}{R2B}\right) V_{REF}$$

$$\text{High limit} = \left(1 + \frac{R1A}{R2A}\right) V_{REF}$$

Over voltage / under voltage protection circuit

**DC Test Circuits**

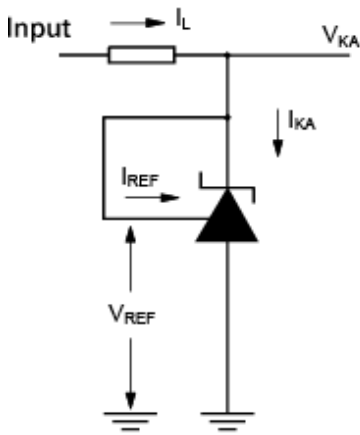


Figure 1. Test circuit for  $V_{KA} = V_{REF}$

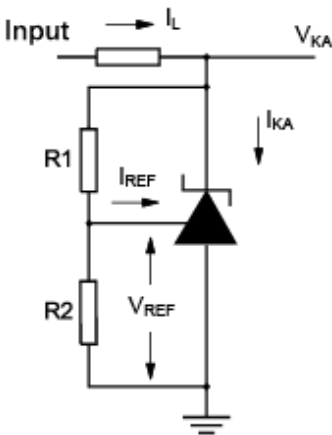


Figure 2. Test circuit for  $V_{KA} > V_{REF}$

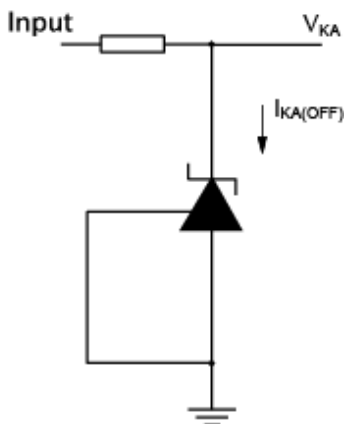


Figure 3. Test circuit for off state current

**Notes**

Deviation of reference input voltage,  $V_{DEV}$ , is defined as the maximum variation of the reference input voltage over the full temperature range.

The average temperature coefficient of the reference input voltage,  $V_{REF}$  is defined as:

$$V_{REF}(ppm/^{\circ}C) = \frac{V_{DEV} \times 1,000,000}{V_{REF}(T1-T2)}$$

The dynamic output impedance,  $R_z$ , is defined as:

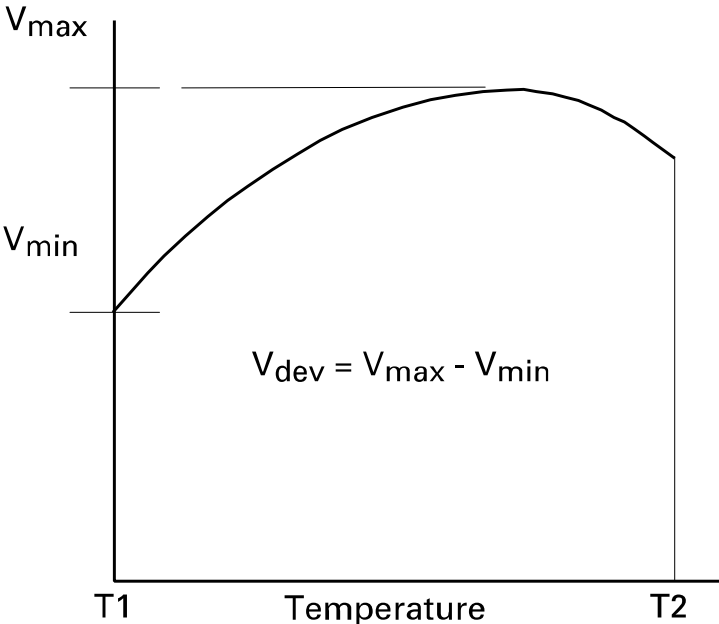
$$R_z = \frac{\Delta V_z}{\Delta I_z}$$

When the device is programmed with two external resistors,  $R_1$  and  $R_2$ , (figure 2), the dynamic output impedance of the overall circuit,  $R'_z$ , is defined as:

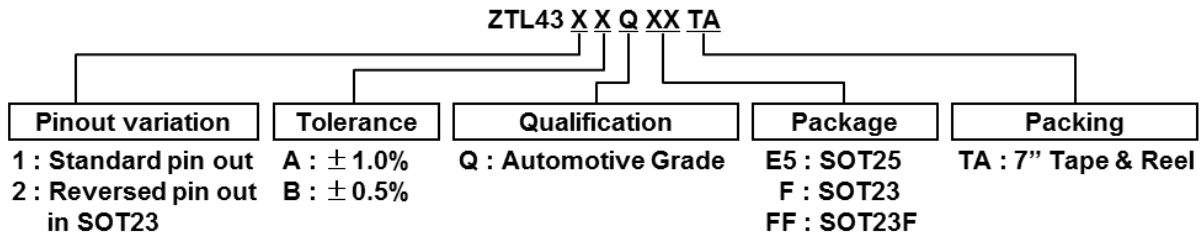
$$R'_z = R_z \left( 1 + \frac{R_1}{R_2} \right)$$

**Stability Boundary**

The ZTL431xQ and ZTL432xQ are stable with a range of capacitive loads. A zone of instability exists as demonstrated in the typical characteristic graph on Page 4. The graph shows typical conditions. To ensure reliable stability, a capacitor of 4.7nF or greater is recommended between anode and cathode.



## Ordering Information

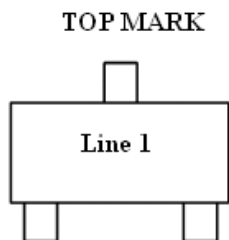


Tol.	Ordering Code	Package Code	Packaging (Note 5)	Part Mark	Reel Size	Tape Width (mm)	Quantity per Reel	Qualification (Note 6)
1%	ZTL431AQE5TA	E5	SOT25	31A	7", 180mm	8	3,000	Automotive Compliant
	ZTL431AQFFTA	FF	SOT23F	31A	7", 180mm	8	3,000	Automotive Compliant
	ZTL431AQFTA	F	SOT23	31A	7", 180mm	8	3,000	Automotive Compliant
	ZTL432AQFFTA	FF	SOT23F	32A	7", 180mm	8	3,000	Automotive Compliant
	ZTL432AQFTA	F	SOT23	32A	7", 180mm	8	3,000	Automotive Compliant
0.5%	ZTL431BQE5TA	E5	SOT25	31B	7", 180mm	8	3,000	Automotive Compliant
	ZTL431BQFFTA	FF	SOT23F	31B	7", 180mm	8	3,000	Automotive Compliant
	ZTL431BQFTA	F	SOT23	31B	7", 180mm	8	3,000	Automotive Compliant
	ZTL432BQFFTA	FF	SOT23F	32B	7", 180mm	8	3,000	Automotive Compliant
	ZTL432BQFTA	F	SOT23	32B	7", 180mm	8	3,000	Automotive Compliant

Notes: 5. Pad layout shown at <http://www.diodes.com/package-outlines.html>.  
 6. ZTL431xQ and ZTL432xQ are qualified to AEC-Q100 grade 1 and are classified as "Automotive Compliant" supporting PPAP documentation. Automotive, AEC-Q100 and standard products are electrically and thermally the same, except where specified.  
 For more information, please refer to [http://www.diodes.com/quality/product\\_compliance\\_definitions/](http://www.diodes.com/quality/product_compliance_definitions/).  
 See ZTL431/ZTL432 datasheet for commercial qualified versions.

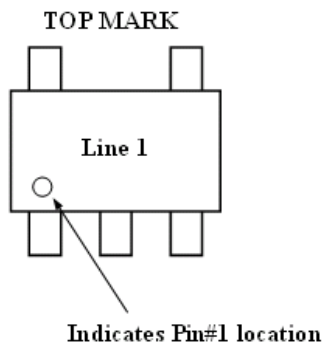
## Package Marking Dimensions

### SOT23 and SOT23F



Orderable	Part Mark
ZTL431AQFFTA	31A
ZTL431AQFTA	31A
ZTL432AQFFTA	32A
ZTL432AQFTA	32A
ZTL431BQFFTA	31B
ZTL431BQFTA	31B
ZTL432BQFFTA	32B
ZTL432BQFTA	32B

### SOT25

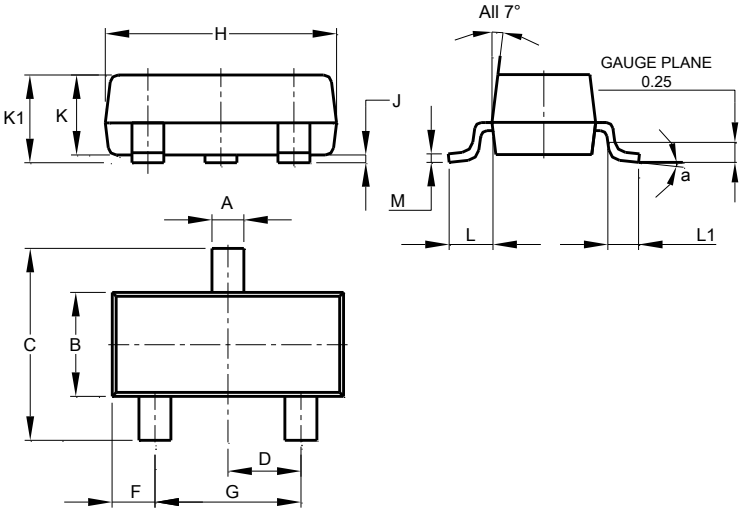


Orderable	Part Mark
ZTL431AQE5TA	31A
ZTL431BQE5TA	31B

**Package Outline Dimensions**

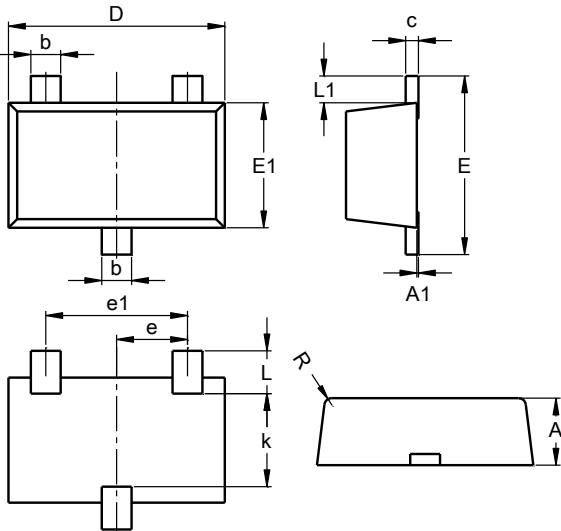
Please see <http://www.diodes.com/package-outlines.html> for the latest version.

**SOT23**



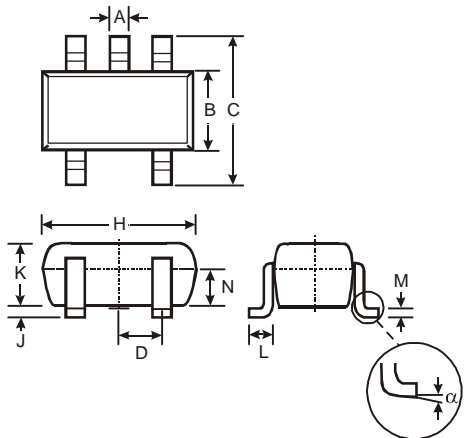
SOT23			
Dim	Min	Max	Typ
A	0.37	0.51	0.40
B	1.20	1.40	1.30
C	2.30	2.50	2.40
D	0.89	1.03	0.915
F	0.45	0.60	0.535
G	1.78	2.05	1.83
H	2.80	3.00	2.90
J	0.013	0.10	0.05
K	0.890	1.00	0.975
K1	0.903	1.10	1.025
L	0.45	0.61	0.55
L1	0.25	0.55	0.40
M	0.085	0.150	0.110
a	0°	8°	--
All Dimensions in mm			

**SOT23F**



SOT23F			
Dim	Min	Max	Typ
A	0.80	1.00	0.90
A1	0.00	0.10	0.01
b	0.35	0.50	0.44
c	0.10	0.20	0.16
D	2.80	3.00	2.90
e	0.95 REF		
e1	1.90 REF		
E	2.30	2.50	2.40
E1	1.50	1.70	1.65
k	1.20	-	-
L	0.30	0.65	0.50
L1	0.30	0.50	0.40
R	0.05	0.15	-
All Dimensions in mm			

**SOT25**



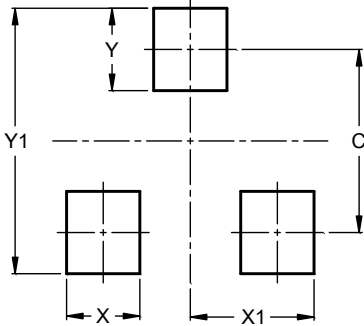
SOT25			
Dim	Min	Max	Typ
A	0.35	0.50	0.38
B	1.50	1.70	1.60
C	2.70	3.00	2.80
D	-	-	0.95
H	2.90	3.10	3.00
J	0.013	0.10	0.05
K	1.00	1.30	1.10
L	0.35	0.55	0.40
M	0.10	0.20	0.15
N	0.70	0.80	0.75
α	0°	8°	-
All Dimensions in mm			



**Suggested Pad Layout**

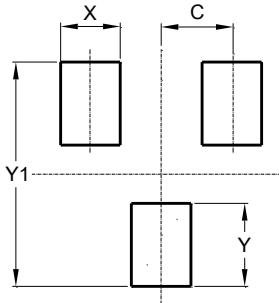
Please see <http://www.diodes.com/package-outlines.html> for the latest version.

**SOT23**



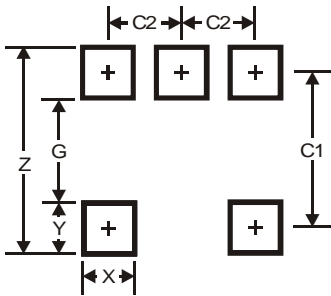
Dimensions	Value (in mm)
C	2.0
X	0.8
X1	1.35
Y	0.9
Y1	2.9

**SOT23F**



Dimensions	Value (in mm)
C	0.95
X	0.80
Y	1.110
Y1	3.000

**SOT25**



Dimensions	Value
Z	3.20
G	1.60
X	0.55
Y	0.80
C1	2.40
C2	0.95

## Revision History

Date	Revision	Changes																																							
August 2014	1-2	<p><b>Initial release</b></p> <p><b>Added further clarification of Automotive Grade and reference to Diodes' definition</b> (Pages 1 and 7)</p> <p><b>Amended generic part numbers from ZTL431Q/ZTL432Q to ZTL431xQ/ZTL432xQ</b> (All pages Header)</p> <p><b>Addition of SOT23F variants:</b>  Pinout (page 1)  Thermal impedance (Pages 2 and 3)  Ordering information (page 7)</p> <table border="1"> <thead> <tr> <th>Tol.</th> <th>Ordering Code</th> </tr> </thead> <tbody> <tr> <td rowspan="2">1%</td> <td>ZTL431AQFFTA</td> </tr> <tr> <td>ZTL432AQFFTA</td> </tr> <tr> <td rowspan="2">0.5%</td> <td>ZTL431BQFFTA</td> </tr> <tr> <td>ZTL432BQFFTA</td> </tr> </tbody> </table> <p>Package dimensions (page 8) and landing pad info (page 9)</p>	Tol.	Ordering Code	1%	ZTL431AQFFTA	ZTL432AQFFTA	0.5%	ZTL431BQFFTA	ZTL432BQFFTA																															
Tol.	Ordering Code																																								
1%	ZTL431AQFFTA																																								
	ZTL432AQFFTA																																								
0.5%	ZTL431BQFFTA																																								
	ZTL432BQFFTA																																								
July 2016	2-2	<p><b>Correction of ESD ratings (Note 7)</b> (Page 2):</p> <table border="1"> <thead> <tr> <th colspan="2">ESD Rating</th> <th>Incorrect revision 1-2 specification</th> <th>Corrected revision 2-2 specification</th> <th>Unit</th> </tr> </thead> <tbody> <tr> <td>HBM</td> <td>Human Body Model</td> <td>4000</td> <td>2000</td> <td>V</td> </tr> <tr> <td>MM</td> <td>Machine Model</td> <td>400</td> <td>200</td> <td>V</td> </tr> <tr> <td>CDM</td> <td>Charged Device Model</td> <td>1000</td> <td>1000</td> <td>V</td> </tr> </tbody> </table> <p><b>Note 7</b> The actual physical ESD withstand capability is unaltered.</p> <p><b>Amendment of Recommended Maximum Power Dissipation based on revised maximum junction temperature of 125°C</b> (Pages 2 and 3):</p> <table border="1"> <thead> <tr> <th rowspan="2">Package</th> <th>Unchanged</th> <th>Rev 1-2 specification</th> <th>Rev 2-2 specification</th> </tr> <tr> <th><math>\theta_{JA}</math></th> <th><math>P_{DIS}</math> <math>T_A = +25^\circ C, T_J = +150^\circ C</math></th> <th><math>P_{DIS}</math> <math>T_A = +25^\circ C, T_J = +125^\circ C</math></th> </tr> </thead> <tbody> <tr> <td>SOT23</td> <td>380°C/W</td> <td>330mW</td> <td>260mW</td> </tr> <tr> <td>SOT23F</td> <td>138°C/W</td> <td></td> <td>720mW</td> </tr> <tr> <td>SOT25</td> <td>250°C/W</td> <td>500mW</td> <td>400mW</td> </tr> </tbody> </table>	ESD Rating		Incorrect revision 1-2 specification	Corrected revision 2-2 specification	Unit	HBM	Human Body Model	4000	2000	V	MM	Machine Model	400	200	V	CDM	Charged Device Model	1000	1000	V	Package	Unchanged	Rev 1-2 specification	Rev 2-2 specification	$\theta_{JA}$	$P_{DIS}$ $T_A = +25^\circ C, T_J = +150^\circ C$	$P_{DIS}$ $T_A = +25^\circ C, T_J = +125^\circ C$	SOT23	380°C/W	330mW	260mW	SOT23F	138°C/W		720mW	SOT25	250°C/W	500mW	400mW
ESD Rating		Incorrect revision 1-2 specification	Corrected revision 2-2 specification	Unit																																					
HBM	Human Body Model	4000	2000	V																																					
MM	Machine Model	400	200	V																																					
CDM	Charged Device Model	1000	1000	V																																					
Package	Unchanged	Rev 1-2 specification	Rev 2-2 specification																																						
	$\theta_{JA}$	$P_{DIS}$ $T_A = +25^\circ C, T_J = +150^\circ C$	$P_{DIS}$ $T_A = +25^\circ C, T_J = +125^\circ C$																																						
SOT23	380°C/W	330mW	260mW																																						
SOT23F	138°C/W		720mW																																						
SOT25	250°C/W	500mW	400mW																																						

**IMPORTANT NOTICE**

DIODES INCORPORATED MAKES NO WARRANTY OF ANY KIND, EXPRESS OR IMPLIED, WITH REGARDS TO THIS DOCUMENT, INCLUDING, BUT NOT LIMITED TO, THE IMPLIED WARRANTIES OF MERCHANTABILITY AND FITNESS FOR A PARTICULAR PURPOSE (AND THEIR EQUIVALENTS UNDER THE LAWS OF ANY JURISDICTION).

Diodes Incorporated and its subsidiaries reserve the right to make modifications, enhancements, improvements, corrections or other changes without further notice to this document and any product described herein. Diodes Incorporated does not assume any liability arising out of the application or use of this document or any product described herein; neither does Diodes Incorporated convey any license under its patent or trademark rights, nor the rights of others. Any Customer or user of this document or products described herein in such applications shall assume all risks of such use and will agree to hold Diodes Incorporated and all the companies whose products are represented on Diodes Incorporated website, harmless against all damages.

Diodes Incorporated does not warrant or accept any liability whatsoever in respect of any products purchased through unauthorized sales channel.

Should Customers purchase or use Diodes Incorporated products for any unintended or unauthorized application, Customers shall indemnify and hold Diodes Incorporated and its representatives harmless against all claims, damages, expenses, and attorney fees arising out of, directly or indirectly, any claim of personal injury or death associated with such unintended or unauthorized application.

Products described herein may be covered by one or more United States, international or foreign patents pending. Product names and markings noted herein may also be covered by one or more United States, international or foreign trademarks.

This document is written in English but may be translated into multiple languages for reference. Only the English version of this document is the final and determinative format released by Diodes Incorporated.

**LIFE SUPPORT**

Diodes Incorporated products are specifically not authorized for use as critical components in life support devices or systems without the express written approval of the Chief Executive Officer of Diodes Incorporated. As used herein:

A. Life support devices or systems are devices or systems which:

1. are intended to implant into the body, or
2. support or sustain life and whose failure to perform when properly used in accordance with instructions for use provided in the labeling can be reasonably expected to result in significant injury to the user.

B. A critical component is any component in a life support device or system whose failure to perform can be reasonably expected to cause the failure of the life support device or to affect its safety or effectiveness.

Customers represent that they have all necessary expertise in the safety and regulatory ramifications of their life support devices or systems, and acknowledge and agree that they are solely responsible for all legal, regulatory and safety-related requirements concerning their products and any use of Diodes Incorporated products in such safety-critical, life support devices or systems, notwithstanding any devices- or systems-related information or support that may be provided by Diodes Incorporated. Further, Customers must fully indemnify Diodes Incorporated and its representatives against any damages arising out of the use of Diodes Incorporated products in such safety-critical, life support devices or systems.

Copyright © 2016, Diodes Incorporated

[www.diodes.com](http://www.diodes.com)