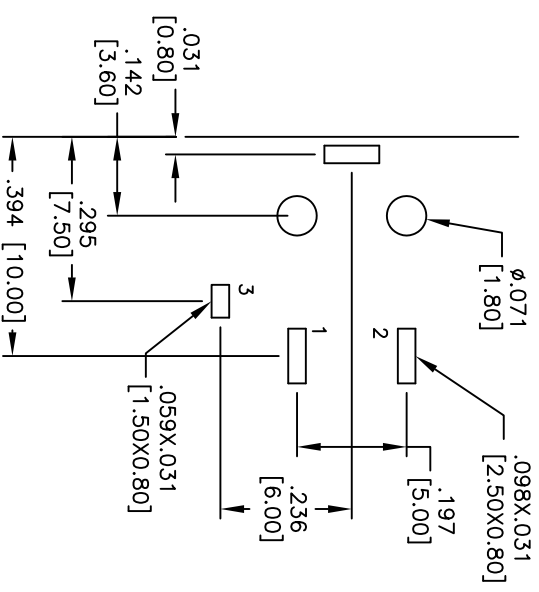
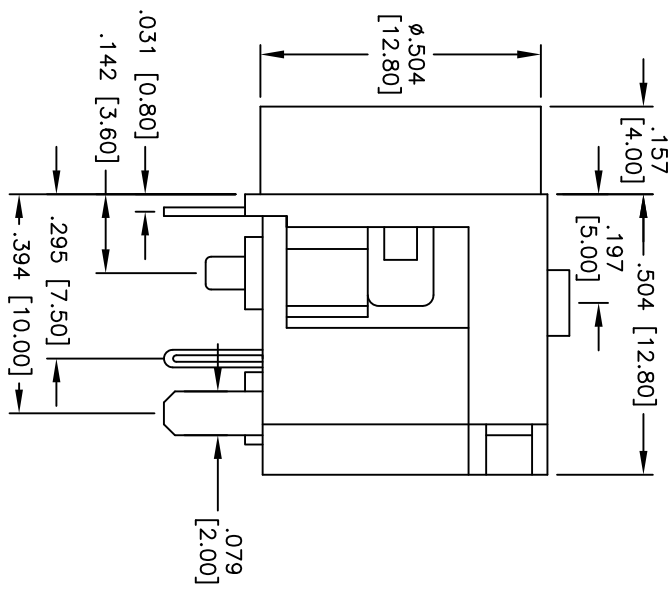
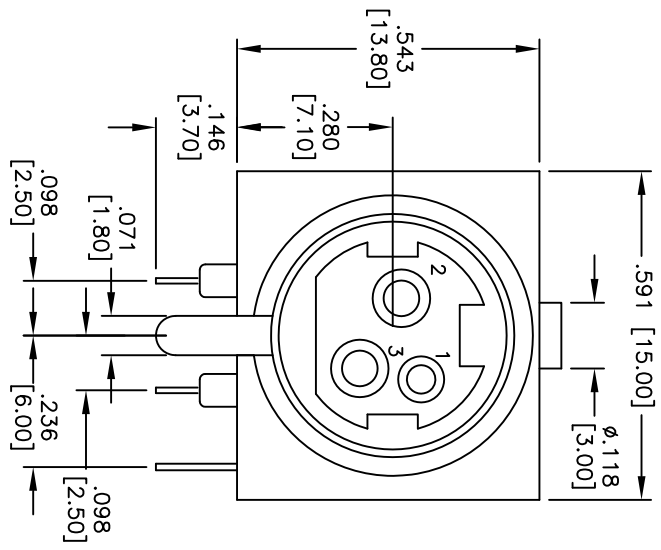


APPROVED: \_\_\_\_\_  
 DATE: \_\_\_\_\_ TITLE: \_\_\_\_\_

| Rev | AWO # | Description                | Date     | Appr |
|-----|-------|----------------------------|----------|------|
| -   |       | RELEASED                   | 1/4/05   |      |
| A   |       | REDRAWN                    | 10/5/07  |      |
| B   |       | CHANGED ENGINEERING DESIGN | 10/30/08 |      |
| C   |       | REDRAWN                    | 9/7/10   |      |



RECOMMENDED PCB LAYOUT

**SPECIFICATIONS:**

Material: Insulator: PBT, glass filled, rated UL 94V-0  
 Insulator color: Black  
 Contacts: Phosphor Bronze  
 Plating: Silver over Nickel underplate overall

Electrical: Operating voltage: 50 VDC max.  
 Current rating: Power contacts 7.5 Amps.  
 Signal contacts 1 Amp.

Temperature Rating: Operating temperature: -25°C to +70°C  
 Environmental: Lead free, RoHS compliant.  
 Recommended soldering temp: 235°C for 5 sec.



UNLESS OTHERWISE SPECIFIED  
 ALL DIMENSIONS ARE INCHES [MM]  
 TOLERANCES: EXCEPT AS NOTED

| INCHES      | HOLES  |
|-------------|--------|
| .X ± .10    | ± .10  |
| .XX ± .020  | ± .015 |
| .XXX ± .015 | ± .010 |

APPROVALS: \_\_\_\_\_ DATE: \_\_\_\_\_

DRAWN: SS 1/4/05  
 CHECKED: \_\_\_\_\_  
 APPROVED: \_\_\_\_\_

**ADAM TECH**  
 909 Railway Avenue, Union, NJ 07083  
 Phone: 908-687-5000 Fax: 908-687-5710

TITLE: MINI DIN POWER JACK  
 2 POWER & 1 SIGNAL CONTACT

| SIZE | PART NO. | SCALE | SHEET  | REV. |
|------|----------|-------|--------|------|
| X    | MPJ-3P   | NIS   | 1 OF 1 | C    |