



Features

- Double side cooling.
- Voltage grade upto 4800V
- Weight 500 gm (Approx.)

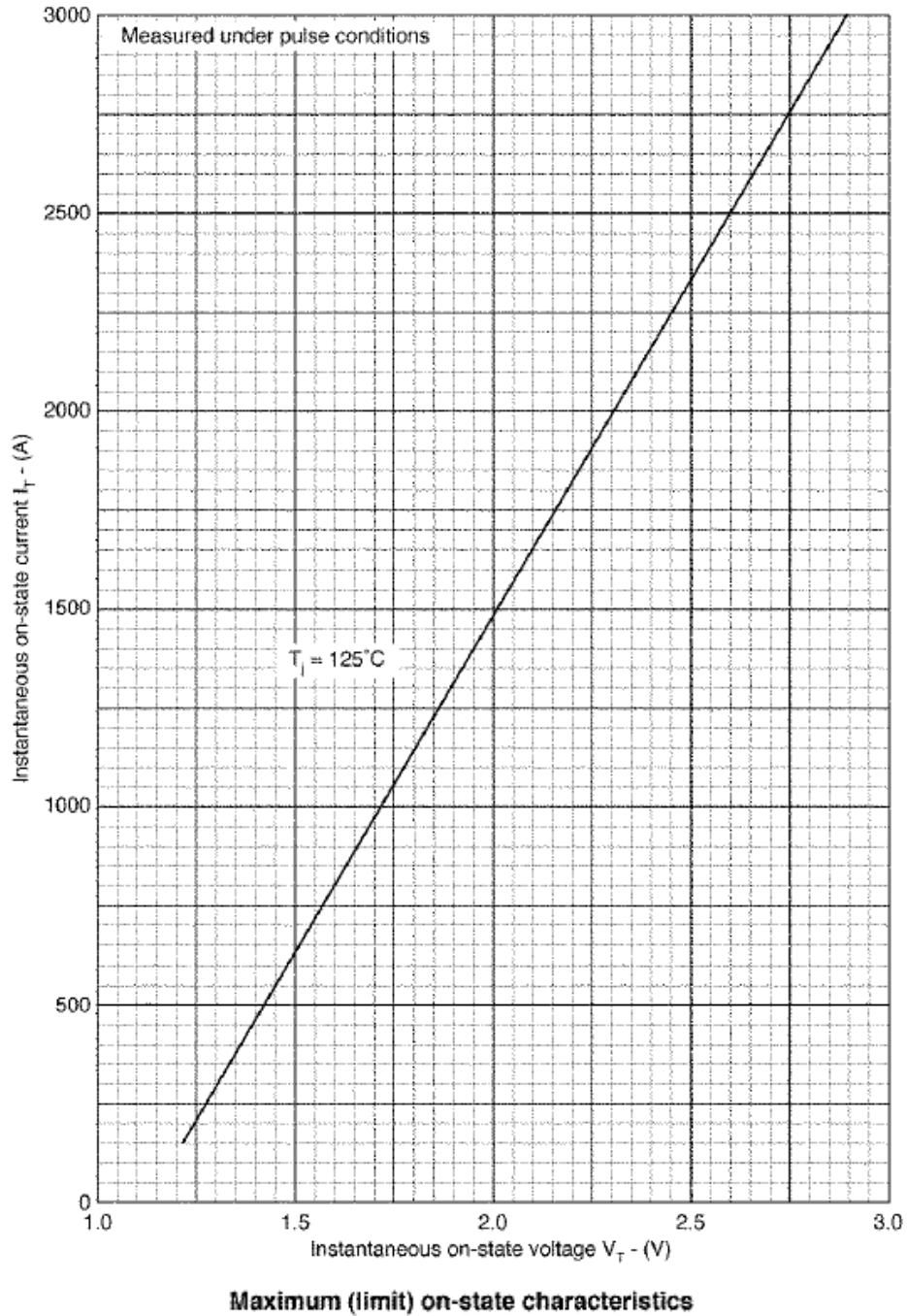
Type No.	V _{RRM} (Volts)	V _{RSM} (Volts)
DCR1279/26	2600	2700
DCR1279/30	3000	3100
DCR1279/34	3400	3500
DCR1279/36	3600	3700
DCR1279/40	4000	4100
DCR1279/44	4400	4500
DCR1279/48	4800	4900

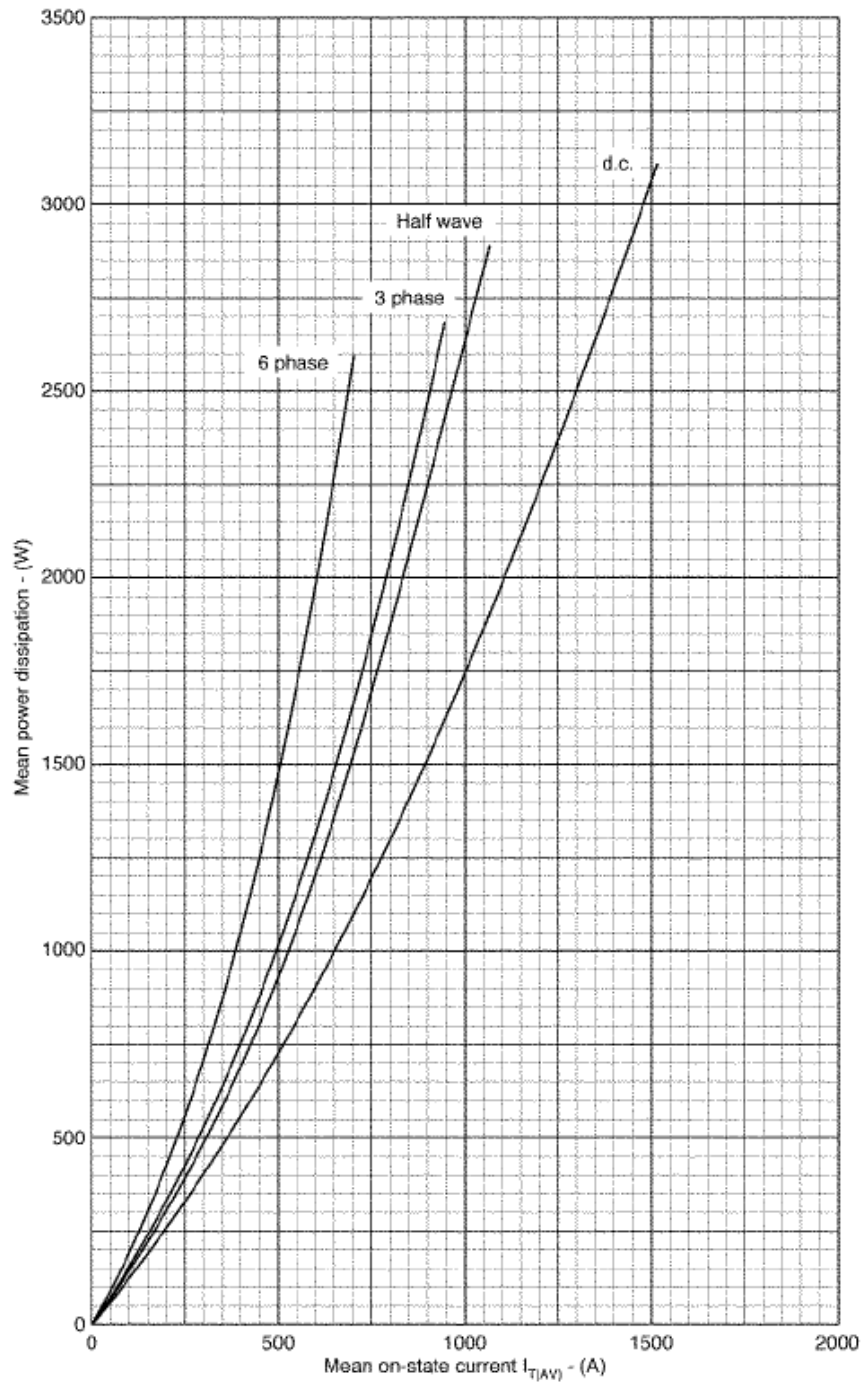
Typical applications : D.C. Motor control, Controlled rectifiers, High power drives.

Symbol	Conditions	Values
I _{T(AV)}	Half wave resistive load; T _C = 60 °C	1088A
I _{TSM}	T _{vj} = 125 °C ; 10 ms half sine, V _R = 50% V _{RRM} T _{vj} = 125 °C ; 10 ms half sine, V _R = 0	12 KA 15 KA
I ² t	T _{vj} = 125 °C, 10 ms half sine, V _R = 50% V _{RRM} T _{vj} = 125 °C ; 10 ms half sine, V _R = 0	720000 A ² s 1120000 A ² s
I _{GT} V _{GT} dv/dt [di/dt] _{CR}	T _{vj} = 25 °C; V _{DRM} = 5V T _{vj} = 25 °C; V _{DRM} = 5V T _{vj} = 125 °C; Voltage = 67 % V _{DRM} Repetitive 50 Hz	400 mA 4.0 V *200 V/μs 100 A/μs
V _T V _O R _O I _{RRM} /I _{DRM}	T _{vj} = 25 °C; I _T = 2900 A T _{vj} = 125 °C T _{vj} = 125 °C T _{vj} = 125 °C	2.40 V max 1.14 V 0.587 mΩ 150 mA
I _H I _L		500 mA 1000 mA
R _{th(j-c)} R _{th(c-h)} T _{vj} T _{stg}	dc	0.020 °C/W 0.004 °C/W +125 °C -40....+125 °C
Mounting Force		20-22 KN
Case outline		D

* Higher dv/dt selection available.

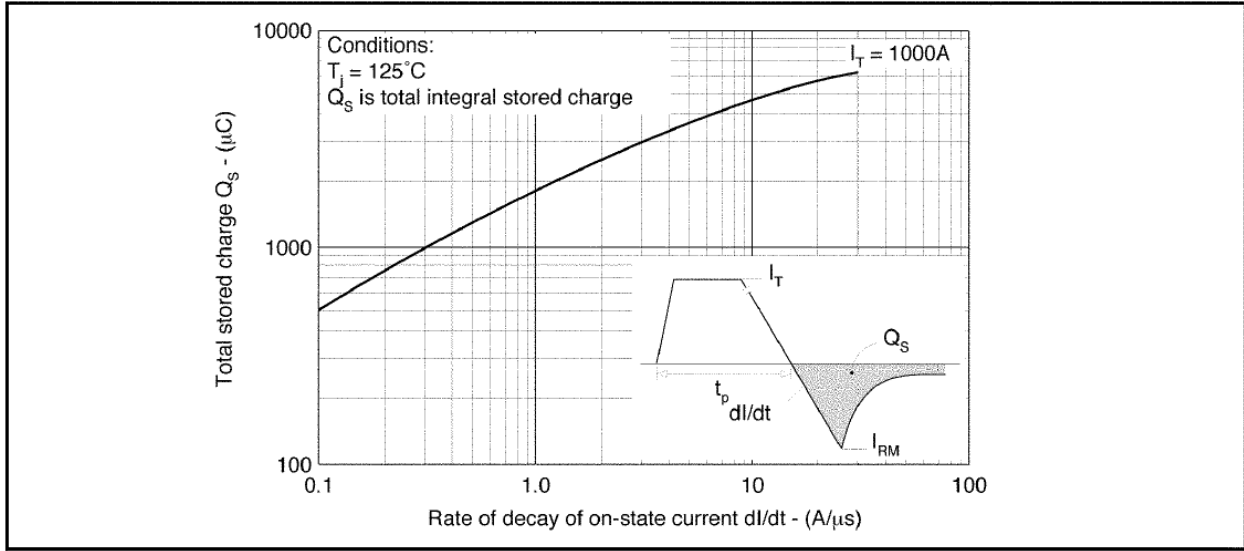




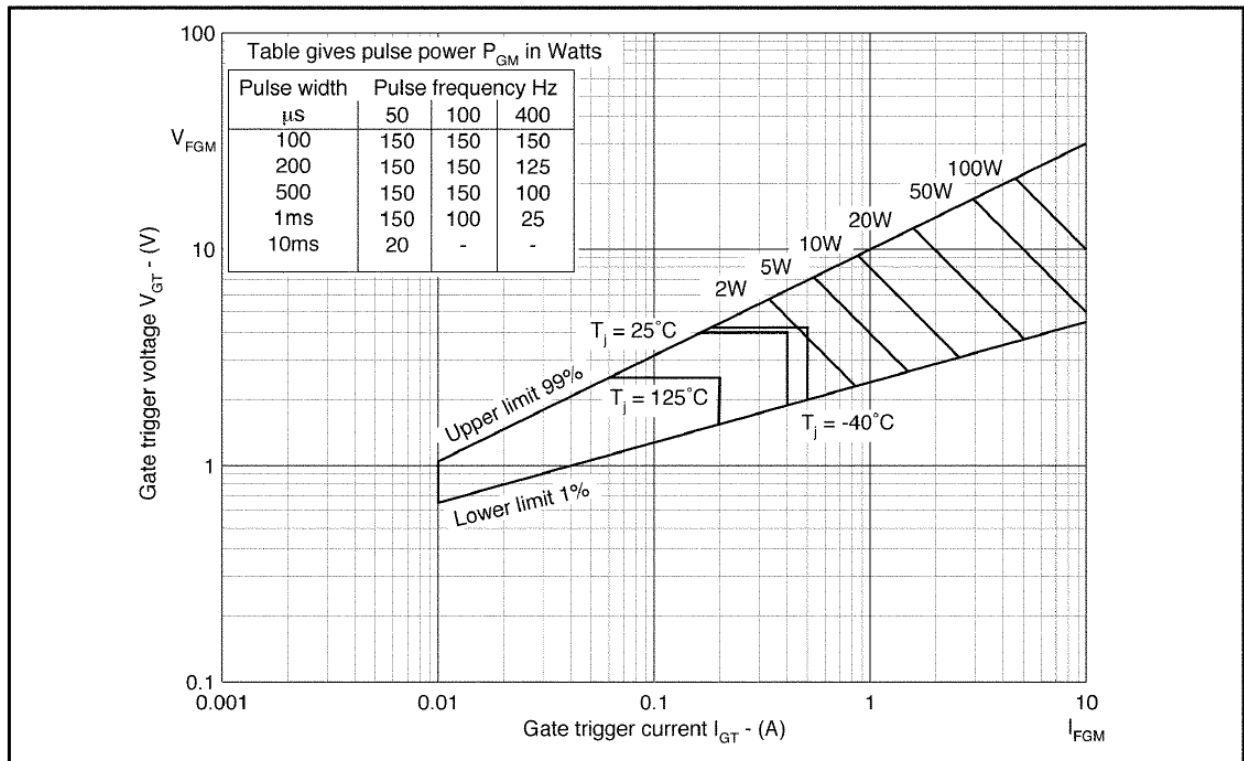


Dissipation curves



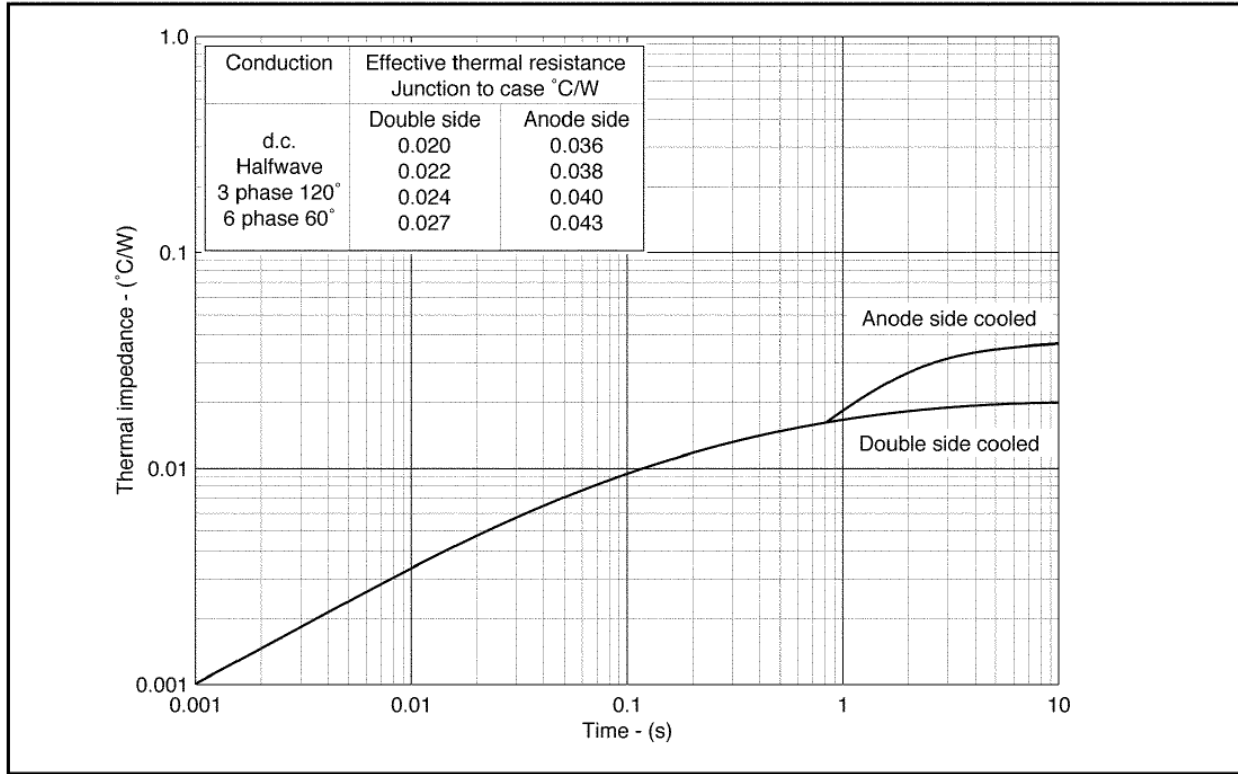


Stored charge

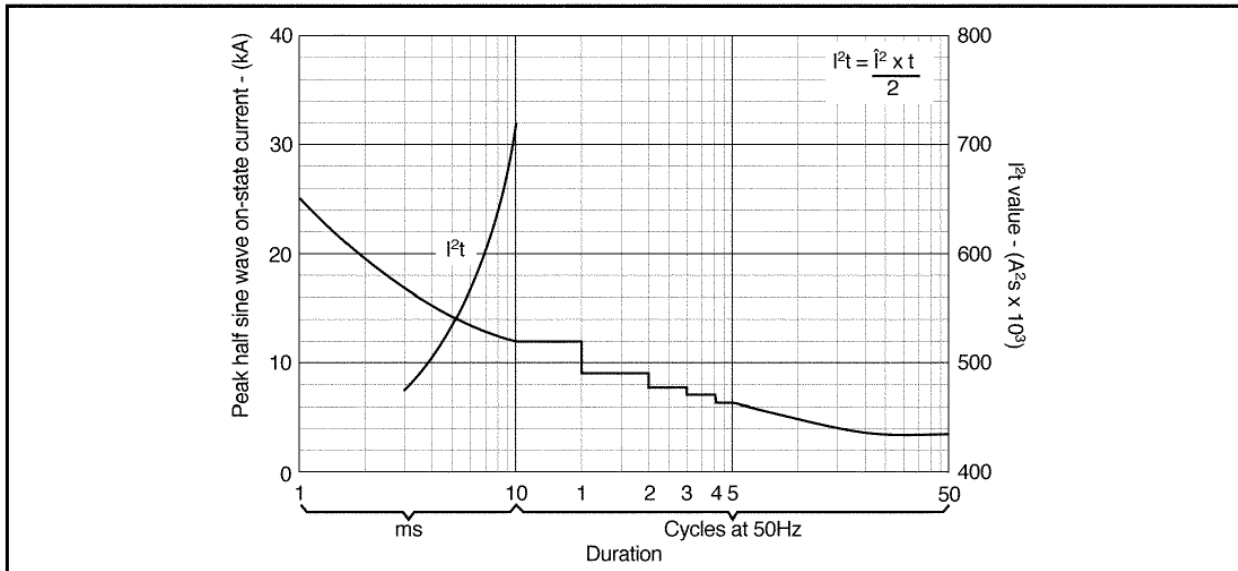


Gate characteristics





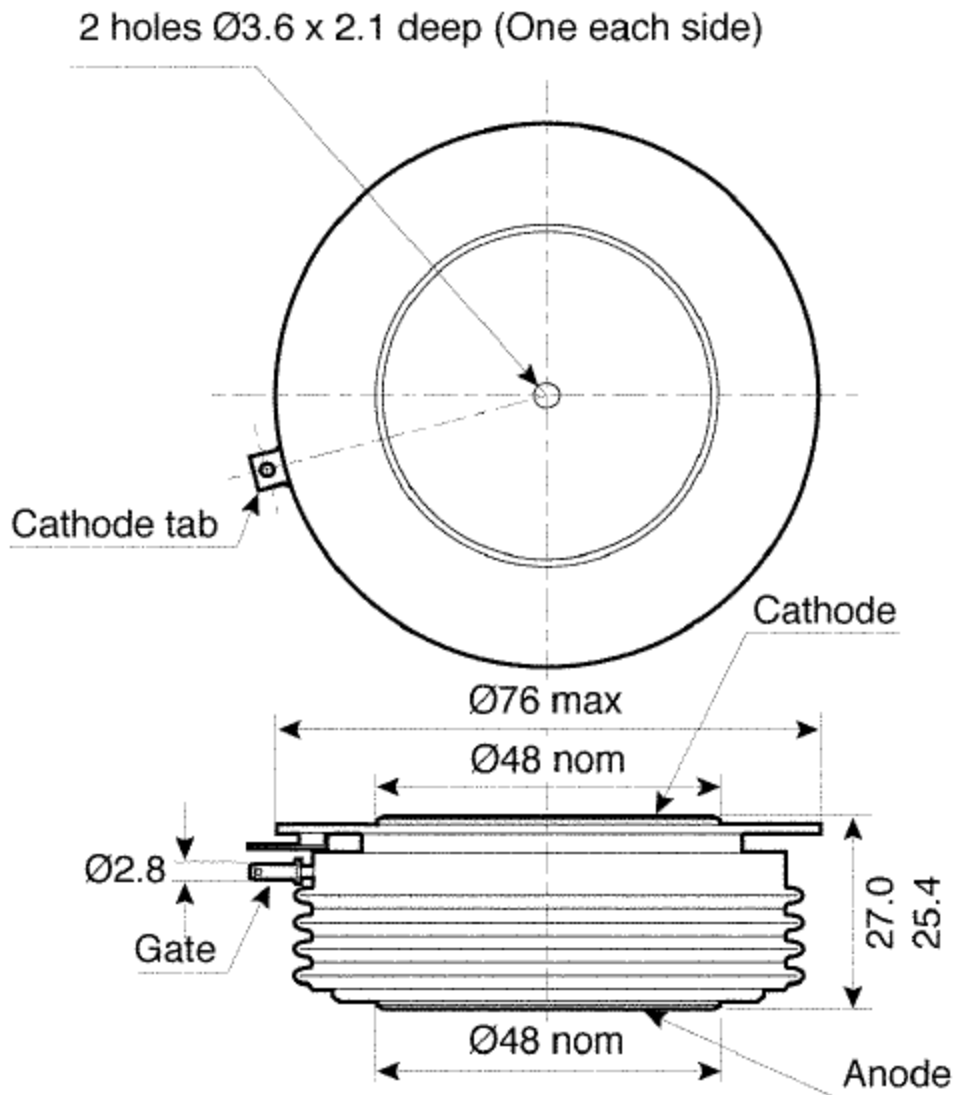
Maximum (limit) transient thermal impedance - junction to case



Surge (non-repetitive) on-state current vs time (with 50% V_{RRM} at T_{case} 125°C)



DO NOT SCALE.



Nominal weight: 500g
Clamping force: 20 -22 kN

Package outline : D