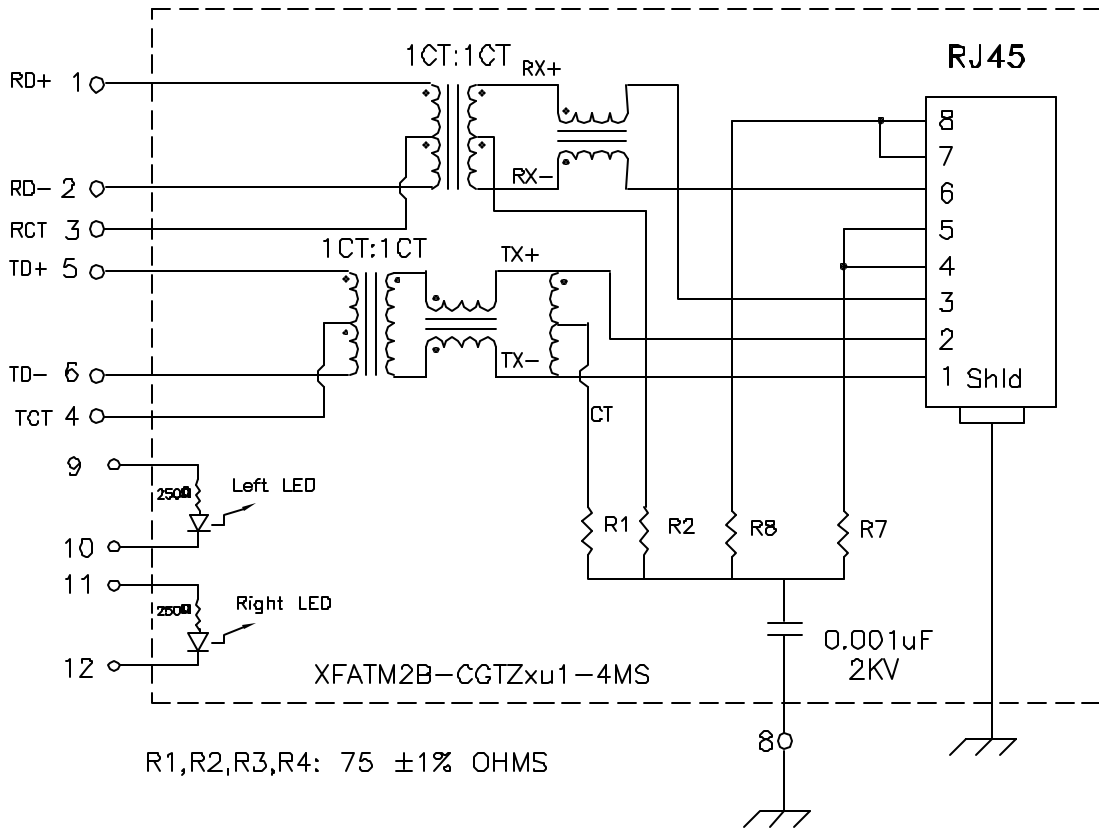


# Schematic:



## Electrical Specifications: @25°C

Isolation Voltage: 1500 Vrms (INPUT to OUTPUT)  
 UTP SIDE OCL: 350uH Min @100KHz 100mV 8mADC  
 Rise Time (10-90%): 2.5ns Typical  
 Insertion Loss (100KHz-100MHz): -1.1dB Maximum  
 Insertion Loss (100MHz-125MHz): -1.5dB Maximum  
 Return Loss: -20dB Min. @30MHz  
 -15dB Min. @80MHz

### Crosstalk:

100KHz-60MHz -40dB Typical  
 60MHz-100MHz -38dB Typical

### Common Mode to Differential Mode Rejection:

100KHz-60MHz -45dB Typ (Tx) / -40dB Typ (Rx)  
 60MHz-100MHz -40dB Typ (Tx) / -35dB Typ (Rx)

### Notes:

- Solderability: Leads shall meet MIL-STD-202G, Method 208H for solderability.
- Flammability: UL94V-0
- ASTM oxygen index: > 28%
- Insulation System: Class F 155°C, UL file E151556
- Operating Temperature Range: All listed parameters are to be within tolerance from -40°C to +85°C
- Storage Temperature Range: -55°C to +125°C
- Aqueous wash compatible
- Electrical and mechanical specifications 100% tested
- RoHS Compliant Component

DOC. REV A/2

# PROPRIETARY

Document is the property of XFMRs Group & is not allowed to be duplicated without authorization.

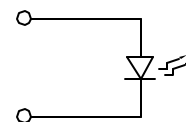
Complete the Combo P/N as follows:

Replace 'x' & 'u' in the part number with one of the LED color letters:

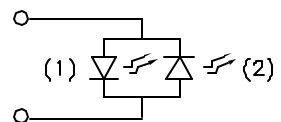
Y=Yellow 'x' = Left LED Color  
 G=Green 'u' = Right LED Color  
 A=Amber  
 R=Red

C=Green(1)/Amber(2) Bicolor  
 D=Amber(1)/Green(2) Bicolor  
 M=Green(1)/Yellow(2) Bicolor  
 N=Yellow(1)/Green(2) Bicolor  
 P=Red(1)/Green(2) Bicolor  
 Q=Green(1)/Red(2) Bicolor

Single Color LED:



Bi-Color LED:



**XFMRs Inc**  
 www.XFMRs.com

Title:  
**SINGLE PORT COMBO w/LEDs**

UNLESS OTHERWISE SPECIFIED  
 TOLERANCES:

XFATM2B-CGTZxu1-4MS REV. A

.xxx ±0.010  
 Dimensions in Inch

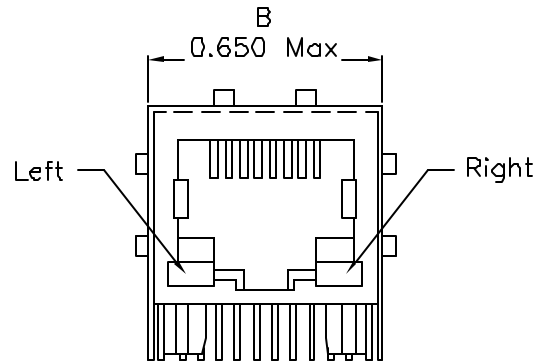
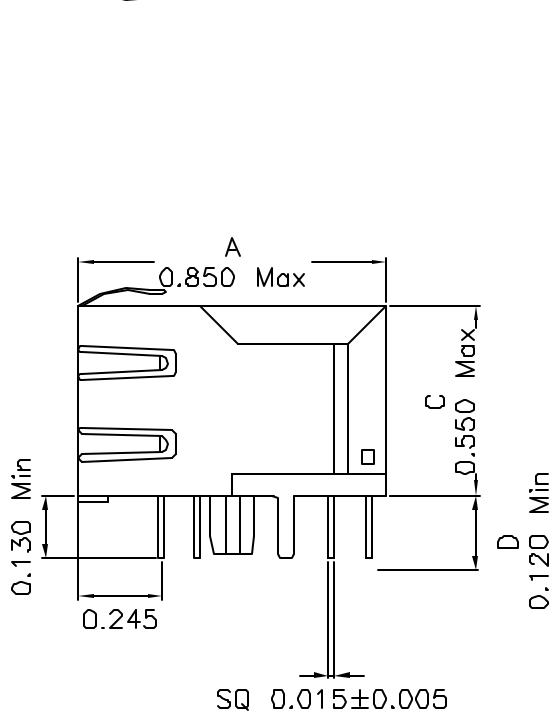
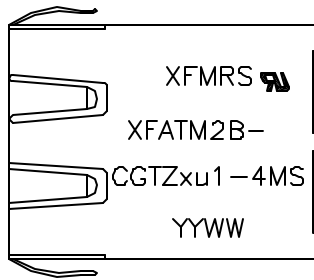
DWN. Juan Mao Mar-23-06

CHK. YK Liao Mar-23-06

SHEET 1 OF 1

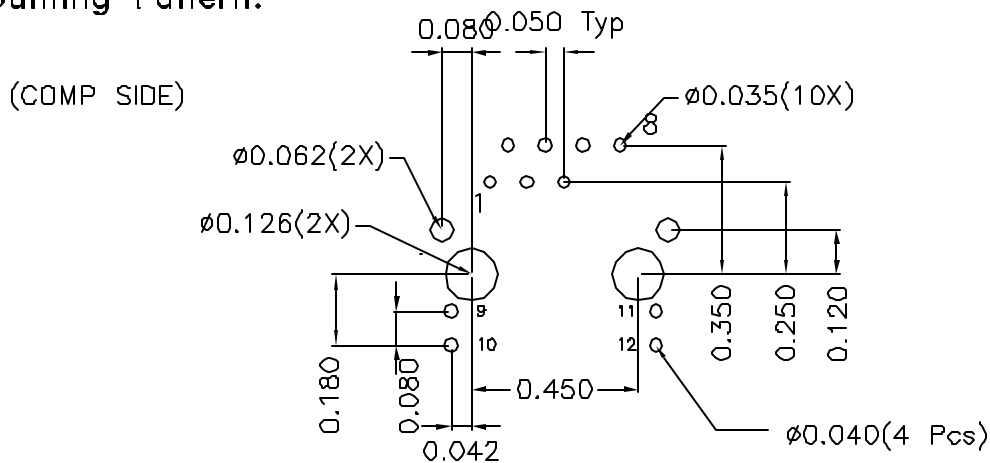
APP. BW Mar-23-06

### Mechanical Dimensions:



\*Remove Pin#7

### Mounting Pattern:



DOC. REV: A/2

<b>XFMRS Inc</b> www.XFMRS.com	Title: Mechanical Dimensions		
	UNLESS OTHERWISE SPECIFIED	P/N: XFATM2B-CGTZxu1-4MS	REV. A
TOLERANCES:	DWN.	Juan Mao	Mar-23-06
.xxx ±0.010	CHK.	YK Liao	Mar-23-06
Dimensions in Inch	APP.	BW	Mar-23-06
SHEET 2 OF 2			

**PROPRIETARY:**

Document is the property of XFMRS Group & is not allowed to be duplicated without authorization.