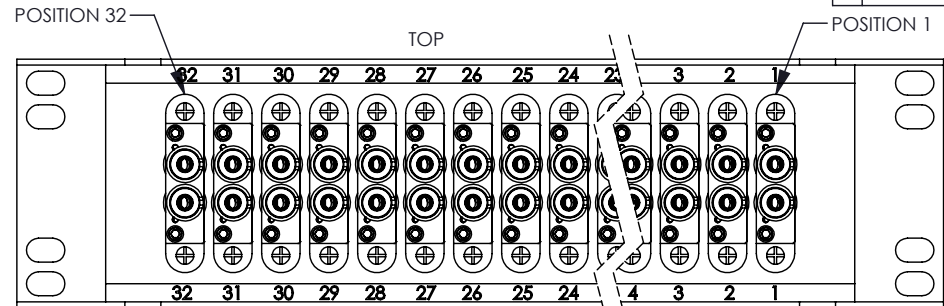


NOTES: UNLESS OTHERWISE SPECIFIED
 MATERIAL SPECIFICATIONS:
 PANEL: PHENOLIC BODY, ALUMINUM BRACKETS AND PLASTIC LABEL MOUNTS
 ALL METAL PARTS: STAINLESS STEEL PER ASTM A582

2. FINISH SPECIFICATIONS:
 BRACKETS: BLACK
 ALL OTHER METAL PARTS: PASSIVATE PER ASTM A967 (RoHS)

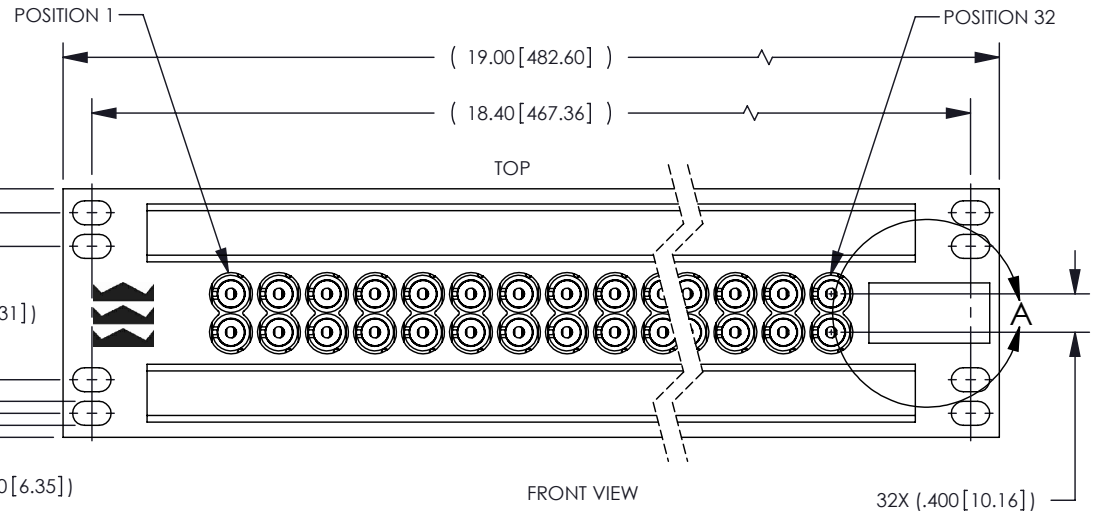
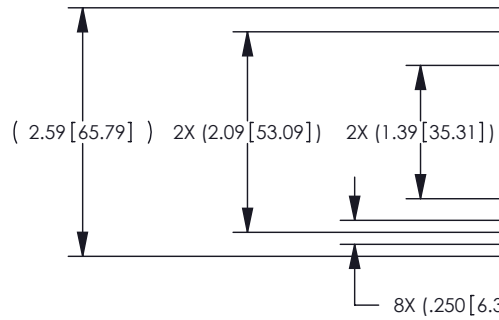
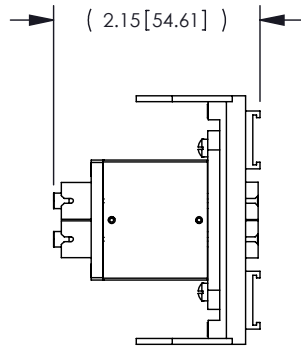
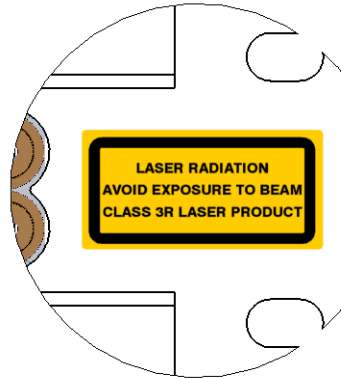
3. OPTICAL SPECIFICATIONS (PER POSITION):
 INSERTION LOSS: 1.5dB TYP.
 RETURN LOSS: 45 dB MAX.

REV	DESCRIPTION	BY DATE	APPD
05	REVISED DRAWING ER26258	JCS 07/23/10	CP



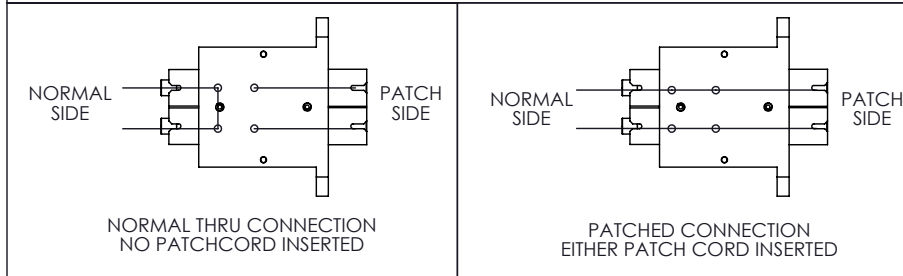
REAR VIEW

DETAIL A
SCALE 1:1



FRONT VIEW

OPTICAL CONNECTION DIAGRAM



CATALOG P/N: 7767-776-00005P

PER ASME Y14.5M-1994
 UNLESS OTHERWISE SPECIFIED:
 DIMENSIONS ARE IN INCHES [MM]
 TOLERANCES:
 DECIMAL: .XX [X.X] ± .01 [0.3]
 .XXX [X.XX] ± .005 [0.13]
 .XXXX [X.XXX] ± .XXXX
 ANGLES: ± 2° SCALE: 1:2

KINGS
 by WINCHESTER
 ELECTRONICS
 Winchester Electronics Corporation
 62 Barnes Industrial Road North
 Wallingford, Connecticut 06492

CUSTOMER SALES DRAWING		THIRD ANGLE	
DRAWN	DATE	APPROVED	DATE
PSM	03/16/10	WPM	03/17/10
APPROVED	DATE	APPROVED	DATE
DRK	03/17/10	JCF	03/17/10

FIBER OPTIC JACK FIELD 32 POSITION	
A	SD7767-776-00005P
SHT	OF
1	1
REV	05

NOTES: UNLESS OTHERWISE SPECIFIED

1. MATERIAL SPECIFICATIONS:

PANEL: PHENOLIC BODY, ALUMINUM BRACKETS AND PLASTIC LABEL MOUNTS
ALL METAL PARTS: STAINLESS STEEL PER ASTM A582

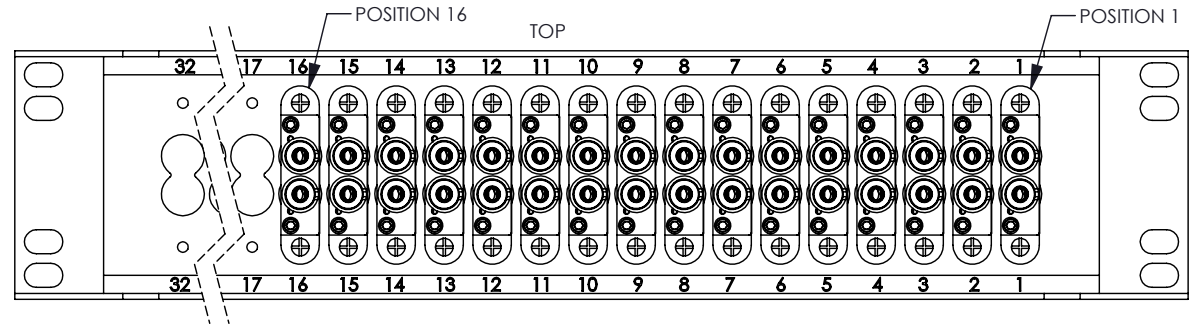
2. FINISH SPECIFICATIONS:

BRACKETS: BLACK
ALL OTHER METAL PARTS: PASSIVATE PER ASTM A967 (RoHS)

3. OPTICAL SPECIFICATIONS (PER POSITION):

INSERTION LOSS: 1.5dB TYP.
RETURN LOSS: 45 dB MAX.

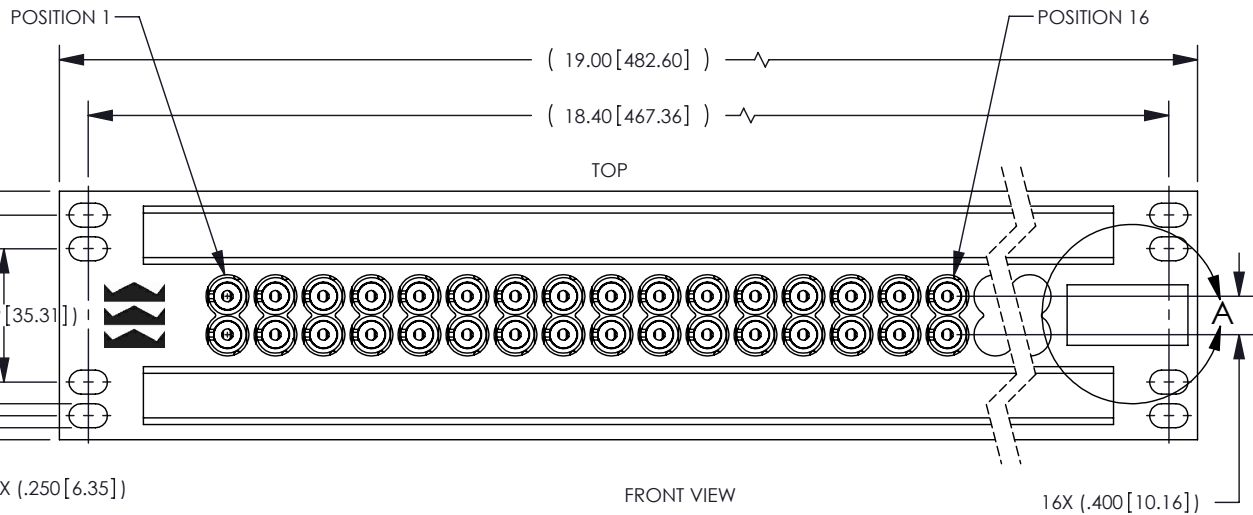
REV	DESCRIPTION	BY DATE	APPD
03	REVISED DRAWING PER ER26258	JDS 07/23/10	CP



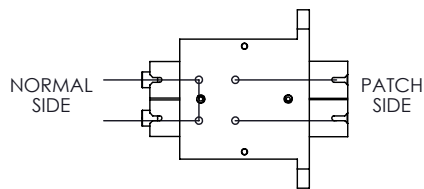
DETAIL A
SCALE 1 : 1



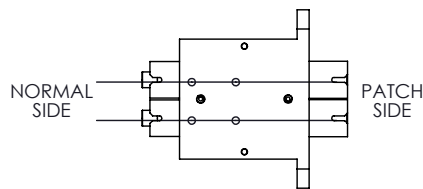
REAR VIEW



OPTICAL CONNECTION DIAGRAM



NORMAL THRU CONNECTION
NO PATCHCORD INSERTED



PATCHED CONNECTION
EITHER PATCH CORD INSERTED

CATALOG P/N: 7767-776-00006N

PER ASME Y14.5M-1994
UNLESS OTHERWISE SPECIFIED:
DIMENSIONS ARE IN INCHES [MM]
TOLERANCES:
DECIMAL: .XX [X.X] ± .01 [0.3]
.XXX [X.XX] ± .005 [0.13]
.XXXX [X.XXX] ± .XXXX
ANGLES: ± 2° SCALE: 1:2



by WINCHESTER Electronics
Winchester Electronics Corporation
62 Barnes Industrial Road North
Wallingford, Connecticut 06492

CUSTOMER
SALES DRAWING



FIBER OPTIC JACK FIELD
16 POSITION

DRAWN	DATE	APPROVED	DATE
JDS	06/08/10	ZP	06/14/10
APPROVED	DATE	APPROVED	DATE
CP	06/14/10	PSM	06/14/10

A	SD7767-776-00006N	SHT	OF	REV
		1	1	03

NOTES: UNLESS OTHERWISE SPECIFIED

1. MATERIAL SPECIFICATIONS:

PANEL: PHENOLIC BODY, ALUMINUM BRACKETS AND PLASTIC LABEL MOUNTS
ALL METAL PARTS: STAINLESS STEEL PER ASTM A582

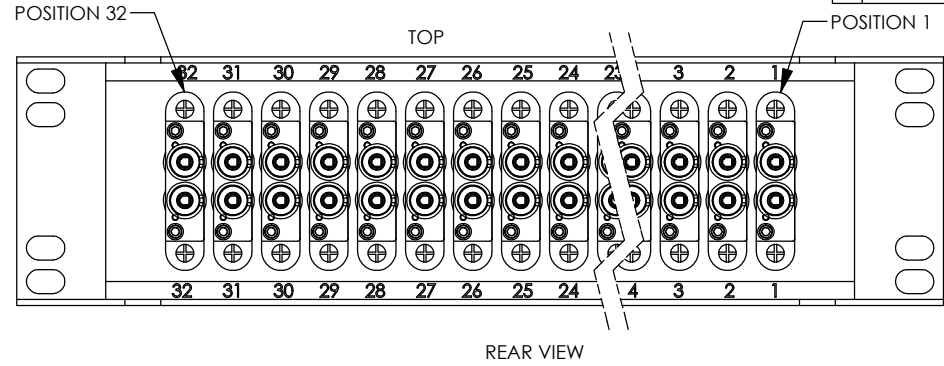
2. FINISH SPECIFICATIONS:

BRACKETS: BLACK
ALL OTHER METAL PARTS: PASSIVATE PER ASTM A967 (RoHS)

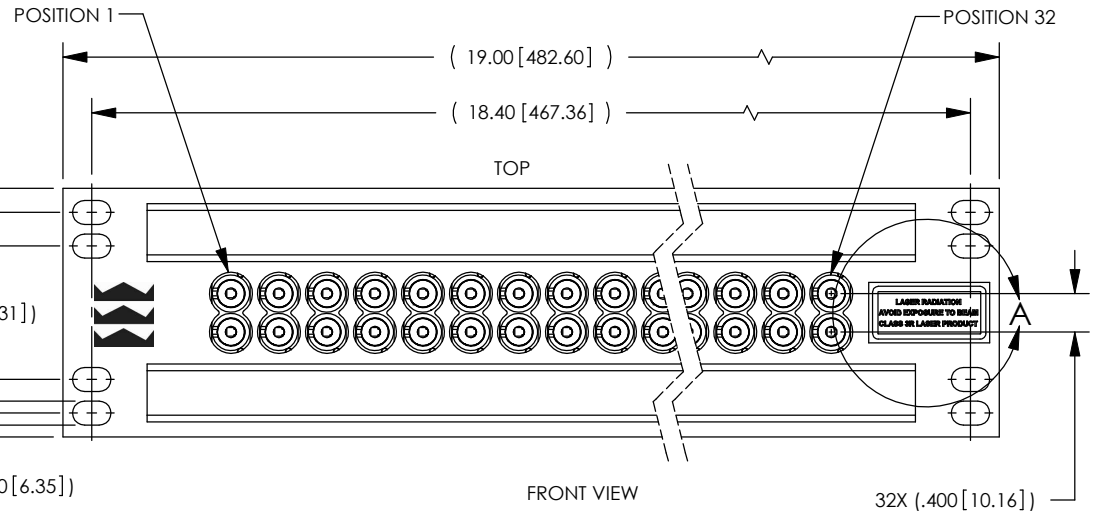
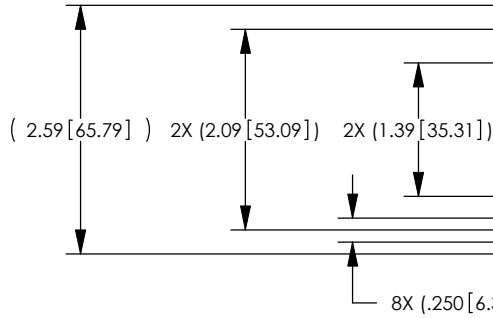
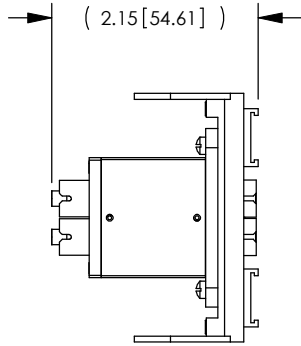
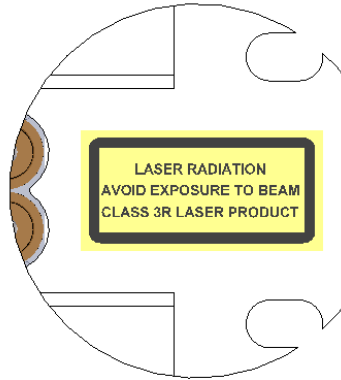
3. OPTICAL SPECIFICATIONS (PER POSITION):

INSERTION LOSS: 1.5dB TYP.
RETURN LOSS: 45 dB MAX.

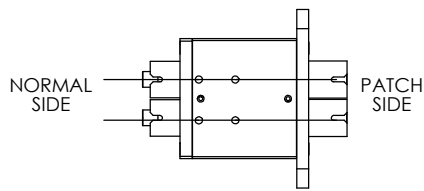
REV	DESCRIPTION	BY	DATE	APPD
02	UPDATED DRAWING ER22566	CP	08/27/10	WPM



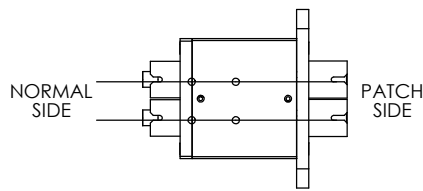
DETAIL A
SCALE 1 : 1



OPTICAL CONNECTION DIAGRAM



NON-NORMAL THRU CONNECTION
NO PATCHCORD INSERTED



PATCHED CONNECTION
EITHER PATCH CORD INSERTED

CATALOG P/N: 7769-776-00001Z

PER ASME Y14.5M-1994
UNLESS OTHERWISE SPECIFIED:
DIMENSIONS ARE IN INCHES [MM]
TOLERANCES:
DECIMAL: .XX [X.X] ± .01 [0.3]
.XXX [X.XX] ± .005 [0.13]
.XXXX [X.XXX] ± .0005 [0.013]
ANGLES: ± 2° SCALE: 1:2

KINGS[®]

by WINCHESTER Winchester Electronics Corporation
ELECTRONICS 62 Barnes Industrial Road North
Wallingford, Connecticut 06492

CUSTOMER
SALES DRAWING



FIBER OPTIC JACK FIELD
NON-NORMAL 32 POSITION

DRAWN	DATE	APPROVED	DATE
JDS	08/26/10	WPM	08/26/10
APPROVED	DATE	APPROVED	DATE
CP	08/26/10	XXX	XX/XX/XX

SHT	OF	REV
1	1	02

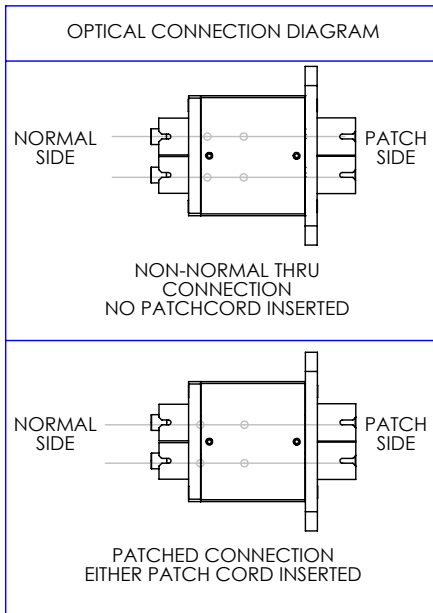
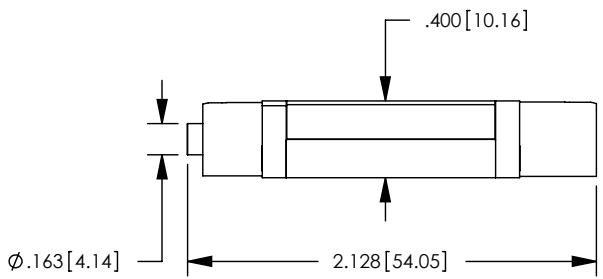
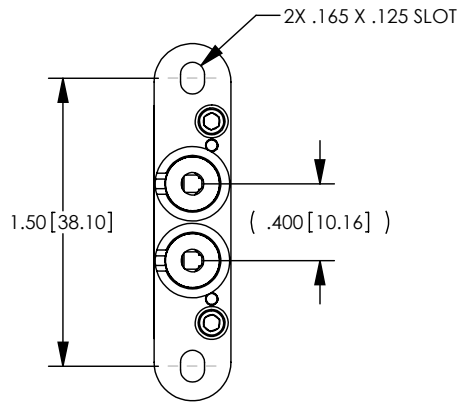
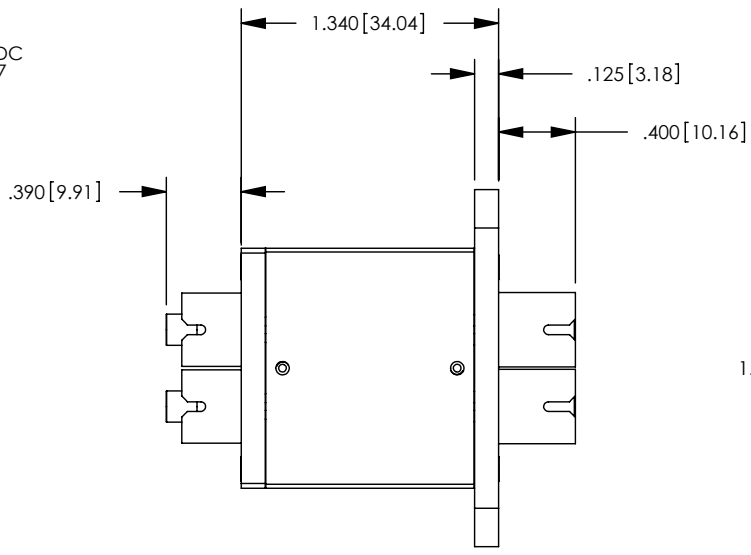
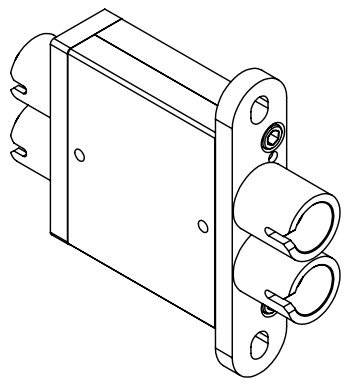
A

SD7769-776-00001Z

REV	DESCRIPTION	BY DATE	APPD
02	ER22566	CP 08/27/10	WPM

NOTES: UNLESS OTHERWISE SPECIFIED

- MATERIAL SPECIFICATIONS:**
 REAR RECEPTACLE: BRASS PER ASTM B16
 ALL METAL PARTS: STAINLESS STEEL & A2 TOOL STEEL
- FINISH SPECIFICATIONS:**
 BASE, SPRING CLIP AND PRISM HOLDER: .000150 MIN. ARMOLOY NTDC
 FRONT AND REAR FLANGE & DIN RECEIPT: PASSIVATE PER ASTM A967
 ALL OTHER METAL PARTS: .000100 MIN NICKEL PER AMS-QQ-N-290
 OVER COPPER FLASH PER ASTM B734
- OPTICAL SPECIFICATIONS:**
 INSERTION LOSS: 1.5dB TYP.
 RETURN LOSS: 45 dB MAX.



CATALOG P/N: 7769-776-00002Z

USE CONNECTOR PN 7765-500-99901N ON NORMAL SIDE
 USE CONNECTOR PN 7765-900-99902N ON PATCH SIDE

PER ASME Y14.5M-1994 UNLESS OTHERWISE SPECIFIED: DIMENSIONS ARE IN INCHES [MM] TOLERANCES: DECIMAL: .XX [X.X] ± .01 [0.3] .XXX [X.XX] ± .005 [0.13] .XXXX [X.XXX] ± .XXXX ANGLES: ± 2° SCALE: 1:1		WINCHESTER ELECTRONICS Winchester Electronics Corporation 62 Barnes Industrial Road North Wallingford, Connecticut 06492	
CUSTOMER SALES DRAWING		THIRD ANGLE 	
DRAWN: JDS DATE: 08/26/10	APPROVED: CP DATE: 08/26/10	APPROVED: WPM DATE: 08/26/10	APPROVED: XXX DATE: XX/XX/XX
A		SD7769-776-00002Z	SHT 1 OF 1 REV 02

NOTES: UNLESS OTHERWISE SPECIFIED

1. MATERIAL SPECIFICATIONS:

PANEL: PHENOLIC BODY, ALUMINUM BRACKETS AND PLASTIC LABEL MOUNTS
 ALL METAL PARTS: STAINLESS STEEL PER ASTM A582

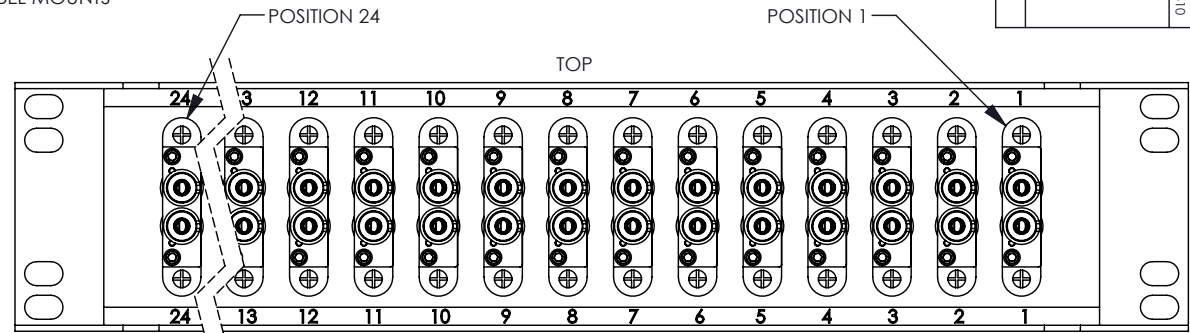
2. FINISH SPECIFICATIONS:

BRACKETS: BLACK
 ALL OTHER METAL PARTS: PASSIVATE PER ASTM A967 (RoHS)

3. OPTICAL SPECIFICATIONS (PER POSITION):

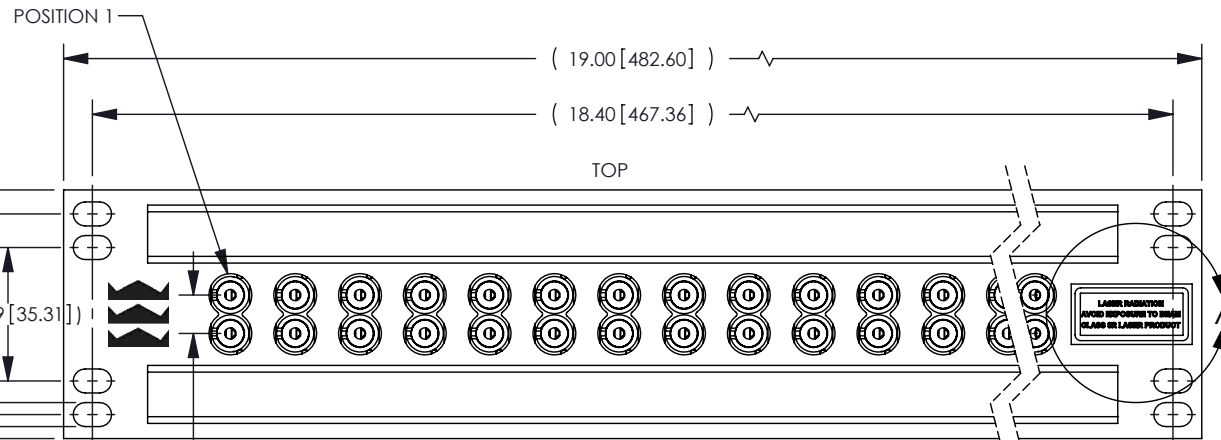
INSERTION LOSS: 1.5dB TYP.
 RETURN LOSS: 45 dB MAX.

REV	DESCRIPTION	BY DATE	APPD
01	PRELIMINARY DRAWING PER EK27987	JDS 09/24/10	WPM



REAR VIEW

DETAIL A
SCALE 1:1



FRONT VIEW

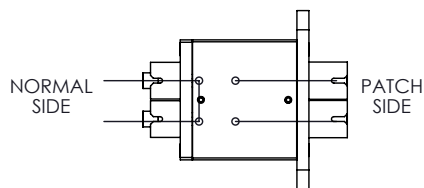
2.15 [54.61]

(2.59 [65.79]) 2X (2.09 [53.09]) 2X (1.39 [35.31])

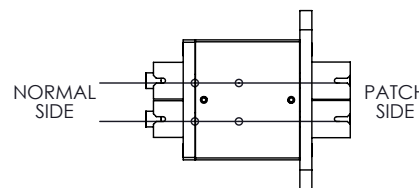
8X (.250 [6.35])

16X (.400 [10.16])

OPTICAL CONNECTION DIAGRAM



NORMAL THRU CONNECTION
NO PATCHCORD INSERTED



PATCHED CONNECTION
EITHER PATCH CORD INSERTED

CATALOG P/N: 7769-776-00003Z

PER ASME Y14.5M-1994
 UNLESS OTHERWISE SPECIFIED:
 DIMENSIONS ARE IN INCHES [MM]
 TOLERANCES:
 DECIMAL: .XX [X.X] ± .01 [0.3]
 .XXX [X.XX] ± .005 [0.13]
 .XXXX [X.XXX] ± .XXXX
 ANGLES: ± 2° SCALE: 1:2



by WINCHESTER Winchester Electronics Corporation
 62 Barnes Industrial Road North
 Wallingford, Connecticut 06492

CUSTOMER
SALES DRAWING



FIBER OPTIC JACK FIELD
24 POSITION, NORMAL

DRAWN	DATE	APPROVED	DATE
JDS	09/24/10	WPM	09/24/10
APPROVED	DATE	APPROVED	DATE
CP	09/24/10	JCF	09/24/10

A	SD7769-776-00003Z	SHT	OF	REV
		1	1	01

NOTES: UNLESS OTHERWISE SPECIFIED

1. MATERIAL SPECIFICATIONS:

PANEL: PHENOLIC BODY, ALUMINUM BRACKETS AND PLASTIC LABEL MOUNTS
ALL METAL PARTS: STAINLESS STEEL PER ASTM A582

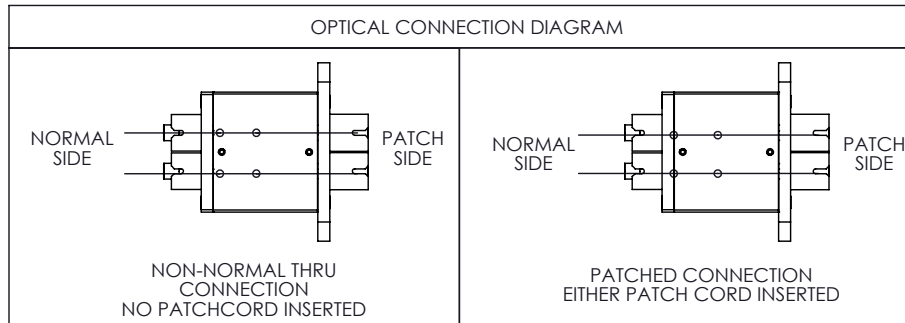
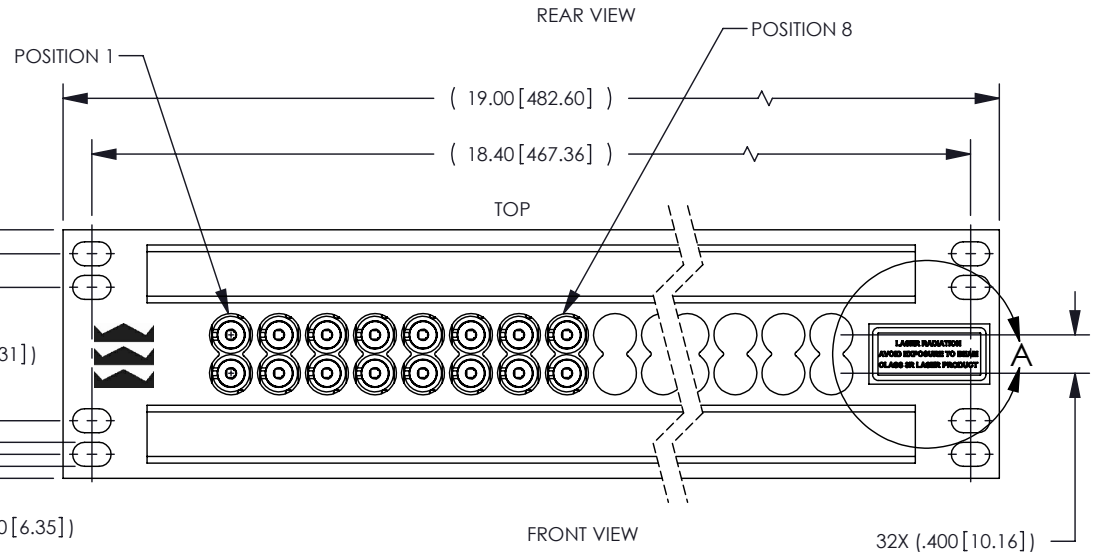
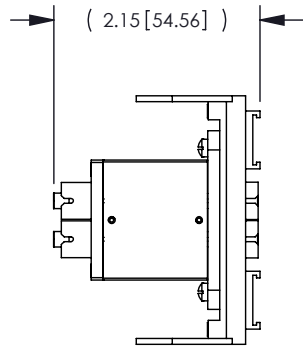
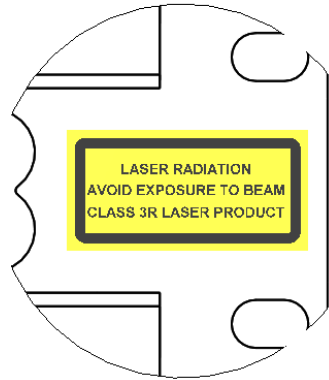
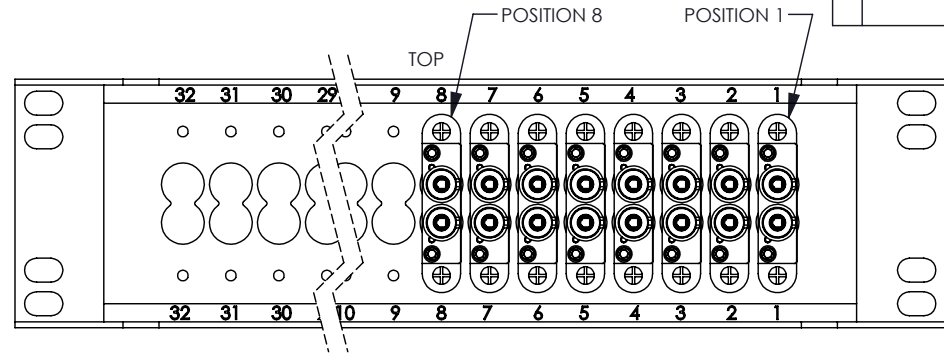
2. FINISH SPECIFICATIONS:

BRACKETS: BLACK
ALL OTHER METAL PARTS: PASSIVATE PER ASTM A967 (RoHS)

3. OPTICAL SPECIFICATIONS (PER POSITION):

INSERTION LOSS: 1.5dB TYP.
RETURN LOSS: 45 dB MAX.

REV	DESCRIPTION	BY	DATE	APPD
01	CREATED DRAWING PER ER28945	JDS	11/04/10	WPM



CATALOG P/N: 7769-776-00004Z

PER ASME Y14.5M-1994
UNLESS OTHERWISE SPECIFIED:
DIMENSIONS ARE IN INCHES [MM]
TOLERANCES:
DECIMAL: .XX [X.X] ± .01 [0.3]
.XXX [X.XX] ± .005 [0.13]
.XXXX [X.XXX] ± .XXXX
ANGLES: ± 2°
SCALE: 1:2

KINGS
by WINCHESTER
ELECTRONICS
Winchester Electronics Corporation
62 Barnes Industrial Road North
Wallingford, Connecticut 06492

DRAWN		APPROVED	
DATE	DATE	DATE	DATE
JDS 11/04/10	WPM 11/05/10	JCF 11/05/10	XXX XX/XX/XX

CUSTOMER SALES DRAWING		THIRD ANGLE
FIBER OPTIC VIDEO JACK PANEL, 32 x 1.5RU, 8 POSITION, NON-NORMAL		
A	SD7769-776-00004Z	SHT OF REV 1 1 01

NOTES: UNLESS OTHERWISE SPECIFIED

1. MATERIAL SPECIFICATIONS:

REAR RECEPTACLE: BRASS PER ASTM B16
ALL METAL PARTS: STAINLESS STEEL & A2 TOOL STEEL

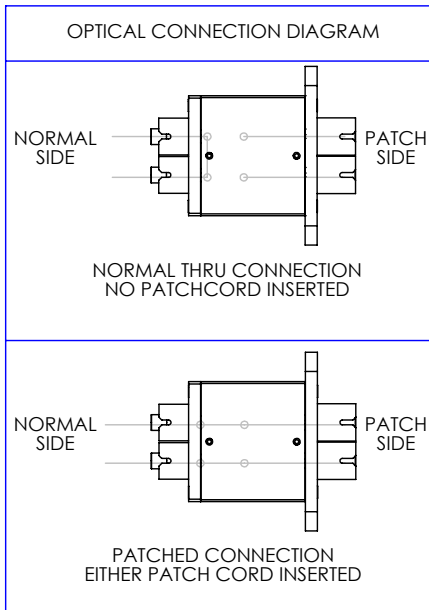
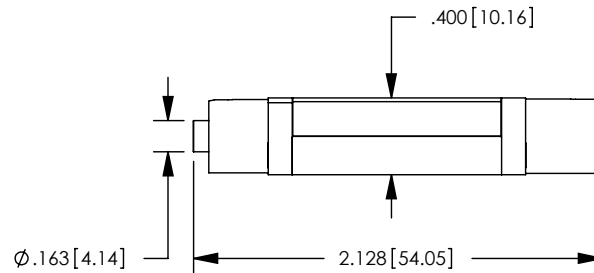
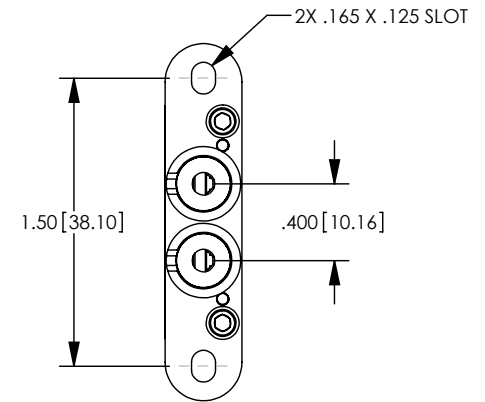
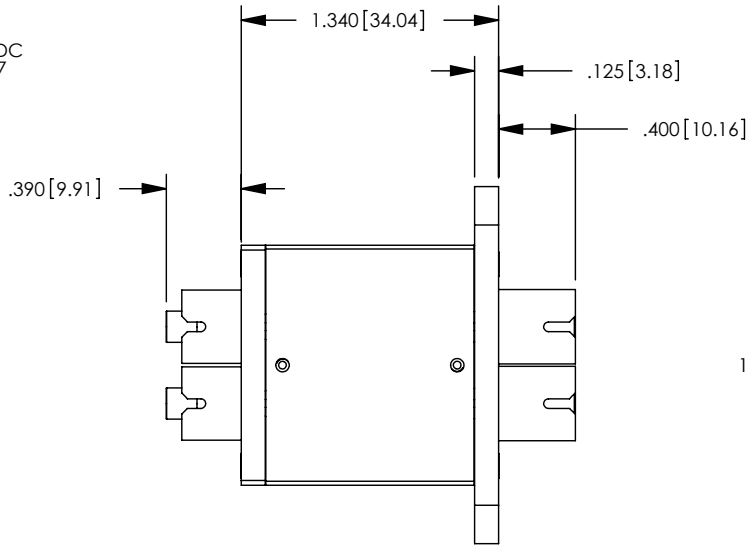
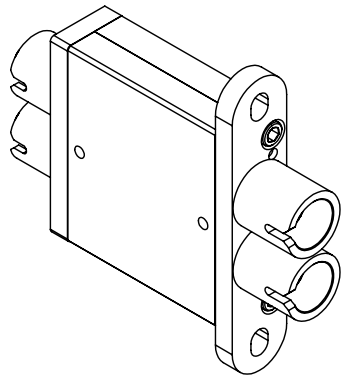
2. FINISH SPECIFICATIONS:

BASE, SPRING CLIP AND PRISM HOLDER: .000150 MIN. ARMOLOY NTDC
FRONT AND REAR FLANGE & DIN RECEIPT: PASSIVATE PER ASTM A967
ALL OTHER METAL PARTS: .000100 MIN NICKEL PER AMS-QQ-N-290
OVER COPPER FLASH PER ASTM B734

3. OPTICAL SPECIFICATIONS:

INSERTION LOSS: 1.5dB TYP.
RETURN LOSS: 45 dB MAX.

REV	DESCRIPTION	BY DATE	APPD
A	ER27683	CP 09-13-10	WPM



CATALOG P/N: 776G-099-00701N

USE CONNECTOR PN 7765-500-99901N ON NORMAL SIDE
USE CONNECTOR PN 7765-900-99902N ON PATCH SIDE

<small>PER ASME Y14.5M-1994 UNLESS OTHERWISE SPECIFIED: DIMENSIONS ARE IN INCHES [MM] TOLERANCES: DECIMAL: .XX [X.X] ± .01 [0.3] .XXX [X.XX] ± .005 [0.13] .XXXX [X.XXX] ± .XXXX ANGLES: ± 2° SCALE: 1:1</small>				 Winchester Electronics Corporation 62 Barnes Industrial Road North Wallingford, Connecticut 06492	
CUSTOMER SALES DRAWING			THIRD ANGLE 	OPTICAL JACK ASSEMBLY, NORMAL	
DRAWN	DATE	APPROVED	DATE	A	SD776G-099-00701
JCF	05/15/09	DCam	05/15/09		
APPROVED	DATE	APPROVED	DATE		
PSM	05/15/09	WPM	05/15/09	SHT	OF
				1	1
				REV	A

NOTES: UNLESS OTHERWISE SPECIFIED

1. MATERIAL SPECIFICATIONS:

REAR RECEPTACLE: BRASS PER ASTM B16
 ALL METAL PARTS: STAINLESS STEEL & A2 TOOL STEEL

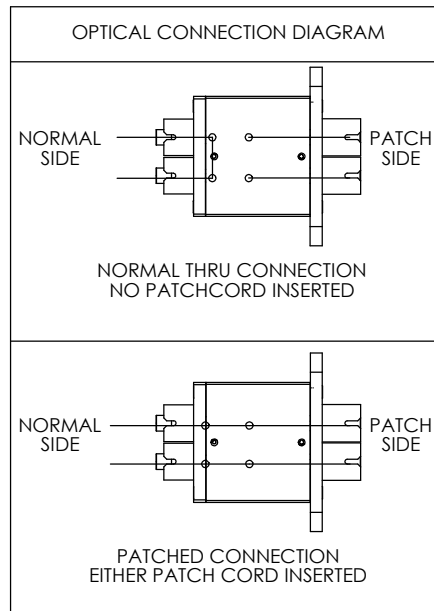
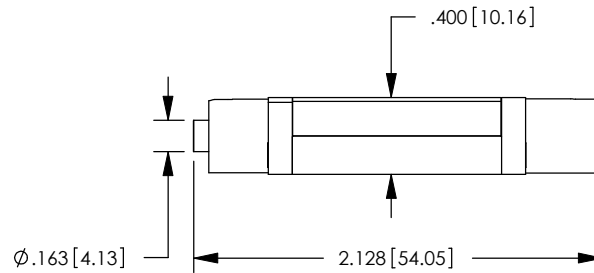
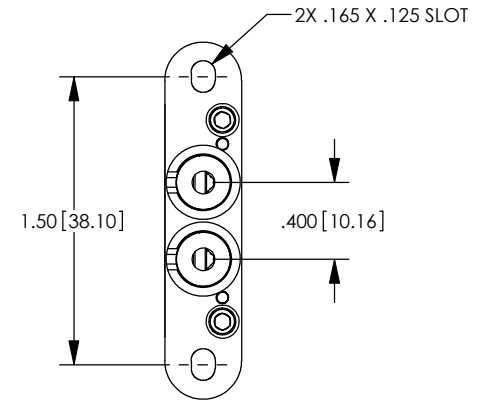
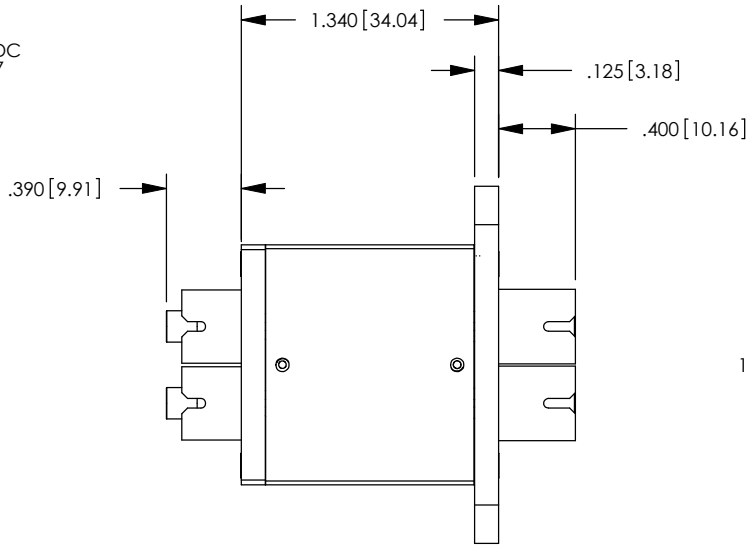
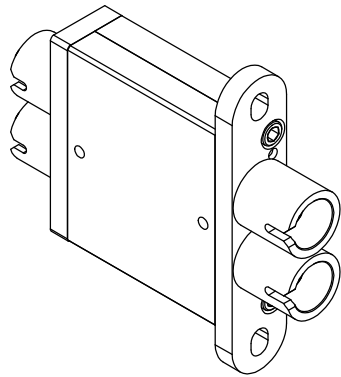
2. FINISH SPECIFICATIONS:

BASE, SPRING CLIP AND PRISM HOLDER: .000150 MIN. ARMOLOY NTDC
 FRONT AND REAR FLANGE & DIN RECEP: PASSIVATE PER ASTM A967
 ALL OTHER METAL PARTS: .000100 MIN NICKEL PER AMS-QQ-N-290
 OVER COPPER FLASH PER ASTM B734

3. OPTICAL SPECIFICATIONS:

INSERTION LOSS: 1.5dB TYP.
 RETURN LOSS: 45 dB MAX.

REV	DESCRIPTION	BY DATE	APPD
01	PRELIMINARY PER ER32410	KC 04/29/11	XXX



CATALOG P/N: 776G-099-00702N

USE CONNECTOR PN 7765-500-99901N ON NORMAL SIDE
 USE CONNECTOR PN 7765-900-99902N ON PATCH SIDE

PER ASME Y14.5M-1994 UNLESS OTHERWISE SPECIFIED: DIMENSIONS ARE IN INCHES [MM] TOLERANCES: DECIMAL: .XX [X.X] ± .01 [0.3] .XXX [X.XX] ± .005 [0.13] .XXXX [X.XXX] ± .XXXX ANGLES: ± 2° SCALE: 1:1				Winchester Electronics Corporation 62 Barnes Industrial Road North Wallingford, Connecticut 06492	
CUSTOMER SALES DRAWING			THIRD ANGLE	OPTICAL JACK ASSEMBLY, NORMAL, BROADBAND, 850nm, 1310nm, 1550nm	
DRAWN KC	DATE 04/29/11	APPROVED XXX	DATE XX/XX/XX	A	SD776G-099-00702
APPROVED XXX	DATE XX/XX/XX	APPROVED XXX	DATE XX/XX/XX		
				SHT 1	OF 1
				REV 01	

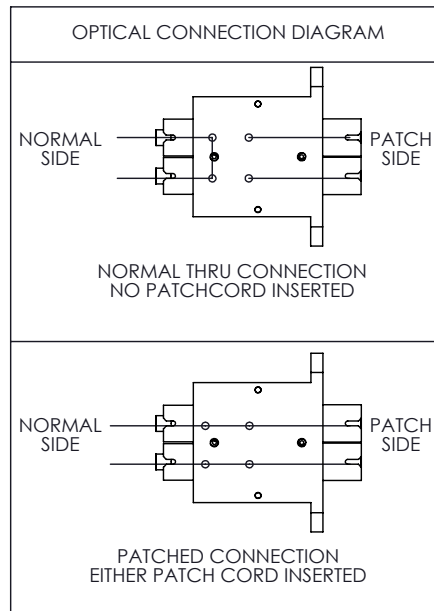
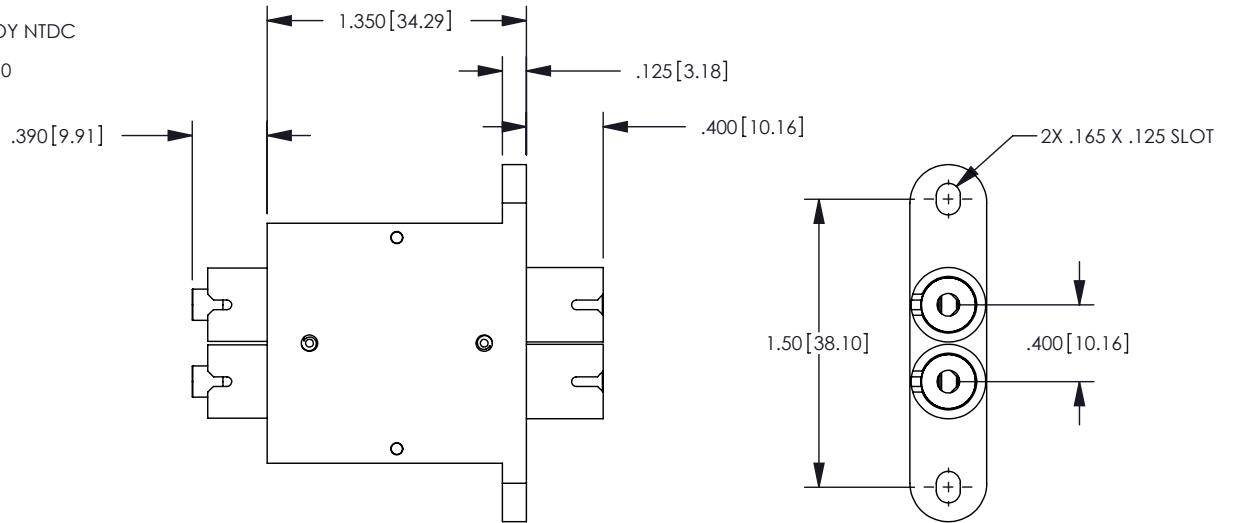
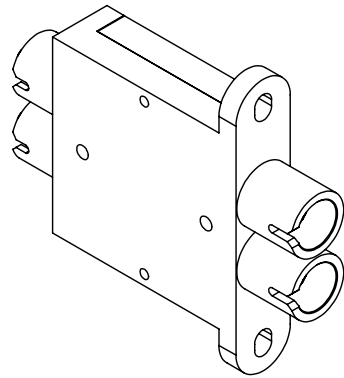
NOTES: UNLESS OTHERWISE SPECIFIED

1. MATERIAL SPECIFICATIONS:
 REAR RECEPTACLE: BRASS PER ASTM B16
 ALL METAL PARTS: STAINLESS STEEL

2. FINISH SPECIFICATIONS:
 BODY, SPRING CLIP AND PRISM HOLDER: .000150 MIN. ARMOLOY NTDC
 COVER AND FRONT RECEPTACLE: PASSIVATE PER ASTM A967
 ALL OTHER METAL PARTS: .000100 MIN NICKEL PER AMS-QQ-N-290
 OVER COPPER FLASH PER ASTM B734

3. OPTICAL SPECIFICATIONS:
 INSERTION LOSS: 1.5dB TYP.
 RETURN LOSS: 45 dB MAX.

REV	DESCRIPTION	BY DATE	APPD
05	ER26258	JDS 07/23/10	CP



FOR DEMO ONLY
 CATALOG P/N: 776G-776-00001N
 FOR SALES SEE SD776G-099-00701N

USE CONNECTOR PN 7765-500-99901N ON NORMAL SIDE
 USE CONNECTOR PN 7765-900-99902N ON PATCH SIDE

PER ASME Y14.5M-1994 UNLESS OTHERWISE SPECIFIED: DIMENSIONS ARE IN INCHES [MM] TOLERANCES: DECIMAL: .XX [X.X] ± .01 [0.3] .XXX [X.XX] ± .005 [0.13] .XXXX [X.XXX] ± .XXXX ANGLES: ± 2° SCALE: 1:1		 WINCHESTER ELECTRONICS Winchester Electronics Corporation 62 Barnes Industrial Road North Wallingford, Connecticut 06492	
CUSTOMER SALES DRAWING		THIRD ANGLE 	OPTICAL JACK ASSEMBLY
DRAWN	DATE	APPROVED	DATE
JCF	05/15/09	DCam	05/15/09
APPROVED	DATE	APPROVED	DATE
PSM	05/15/09	WPM	05/15/09
A SD776G-776-00001		SHT OF 1 1	REV 05