

SERIES AS-2SPD



● FEATURES

- EXCELLENT CLOCK SIGNAL GENERATOR FOR CPU'S
- AVAILABLE IN EXTENDED TEMPERATURE RANGE
- LOW PROFILE SURFACE MOUNT
- EPSON MA506 PIN OUT COMPATIBLE

● SPECIFICATIONS

FREQUENCY RANGE		3.20 MHz TO 70.00 MHz
MODE OF OSCILLATION	FUNDAMENTAL	3.20 MHz TO 40.320 MHz
	THIRD OVERTONE	24.576 MHz TO 70.00 MHz
FREQUENCY TOLERANCE AT 25°C		±30 PPM TYPICAL ±50 PPM MAXIMUM
FREQUENCY STABILITY OVER TEMPERATURE RANGE		±50 PPM TYPICAL ±100 PPM MAXIMUM
OPERATING TEMPERATURE RANGE		-20° C TO +70° C STANDARD
		-40° C TO +85° C EXTENDED
STORAGE TEMPERATURE RANGE		-55° C TO +125° C
AGING		±5 PPM PER YEAR MAXIMUM
LOAD CAPACITANCE		10 pF TO 32 pF OR SERIES
EQUIVALENT SERIES RESISTANCE (ESR)		SEE TABLE
DRIVE LEVEL		0.1 mW TYPICAL
CRYSTAL CUT		AT STRIP



● TYPICAL FREQUENCIES AND ESR CHARACTERISTICS*

FREQUENCY (MHz)	OHMS MAX	MODE
3.579 TO 3.99	150	FUND
4.000 TO 4.999	130	FUND
5.000 TO 5.999	100	FUND
6.000 TO 6.999	80	FUND
7.000 TO 7.999	70	FUND
8.000 TO 9.999	60	FUND
10.000 TO 14.999	50	FUND
15.000 TO 40.320	40	FUND
24.000 TO 28.999	80	3rd OT
29.000 TO 70.000	70	3rd OT

* LOWER RESISTANCIES ARE AVAILABLE ON SPECIAL ORDER

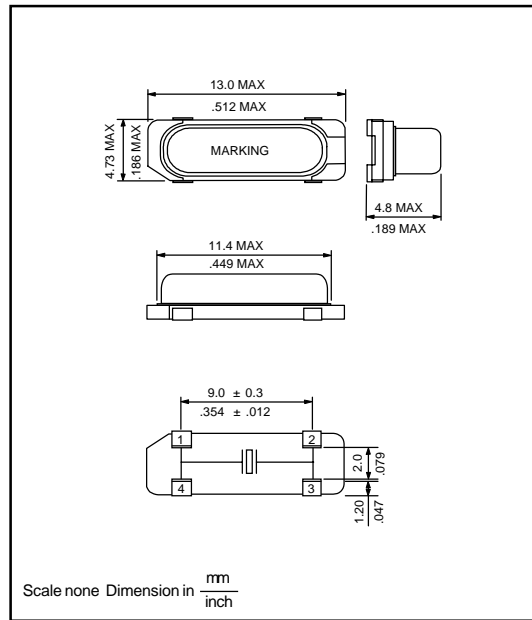
● PART NUMBERING SYSTEM

HOLDERTYPE		FREQUENCY	LOAD CAPACITANCE	MODE	
AS	HC-49/S SMD	IN MHz	10 TO 32 pF FOR PARALLEL S FOR SERIES	F 3OT	FUNDAMENTAL THIRD OVERTONE

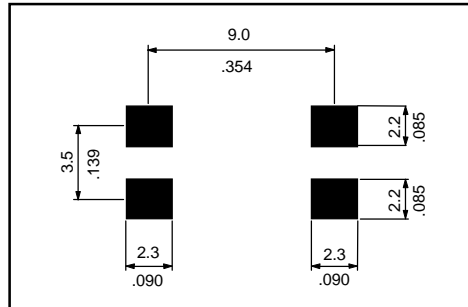
EXTENDED TEMPERATURE	CONFIGURATION	TAPE AND REEL
EXT	2PD 2 PAD SMD TYPE	TR

EXAMPLE: AS-24.576-10-F-EXT-2PD-TR

● OUTLINE DRAWING

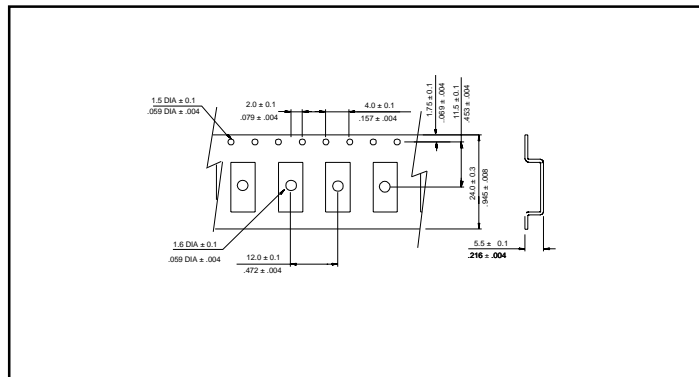


● RECOMMENDED SOLDER PATTERN



● CARRIER TAPE DIMENSIONS

330 mm REEL DIAMETER
 24 mm TAPE WIDTH
 12 mm PITCH
 1000 PIECES PER REEL



● REFLOW SOLDERING PROFILE

