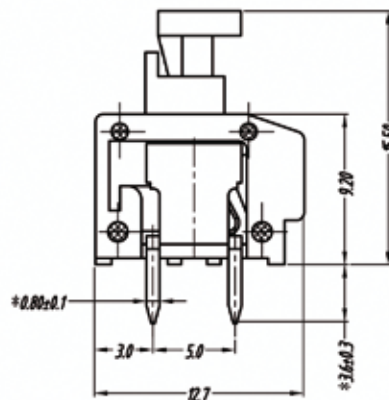
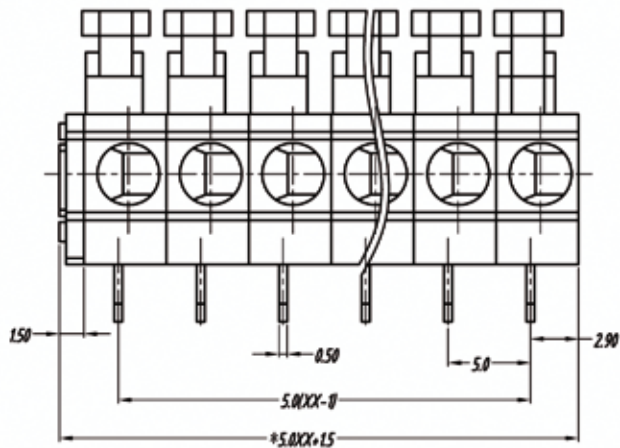
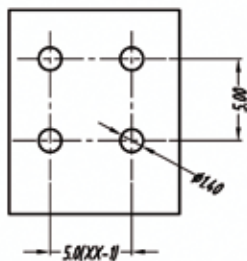


euro-block

product specification



P.C.B.LAYOUT



TOLERANCES EXCEPT AS NOTED

| variable range | linear dimension | | | | fillet | chamfer | short angle sid | | | | ≡ | — | □ | // | ⊥ | | |
|----------------|------------------|--------------|----------------|-----------------|--------|---------|-----------------|-------|--------|-----|-----|-----|-----|-------|------|------|-------|
| | to 6 | over 6 to 30 | over 30 to 120 | over 120 to 480 | all | to 6 | to 10 | to 50 | to 120 | all | | | | | | to 5 | to 30 |
| tolerance | ±0.1 | ±0.2 | ±0.3 | ±0.5 | ±0.9 | ±0.2 | ±0.5 | ±1 | 1' | 30' | 20' | 10' | 0.5 | 0.025 | 0.06 | 0.12 | 0.4 |

Electrical

Standard: UL-IEC
 Rated voltage: 300V-250V
 Rated current: 5A-10A
 Wire range: 22-14AWG-1.5mm²
 Withstanding voltage: AC2000V/1Min

Mechanical

Temp.Range: -40°C~+105°C
 Strip length: 10mm

Dimensions

Pitch: 3.81mm (0.150"), 5.00mm (0.197")
 7.50mm (0.295"), 10.00mm (0.394")
 Poles: 1p-xxp

Material

Housing: PA66, UL94V-0
 Pin header: Brass, Since plate
 Wire guard: stainless steel

| UNITS | mm | SIZE | A4 | SCALE | FIRST ANGLE PROJECTION | |
|-------------------|----|------|----|-------|------------------------|---------------|
| euro-block | | | | | | |
| | | | | | NAME | MRM3-P |