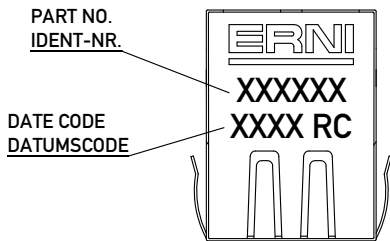
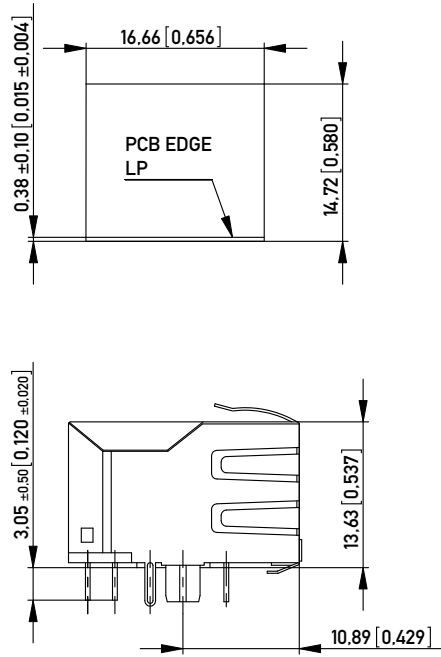
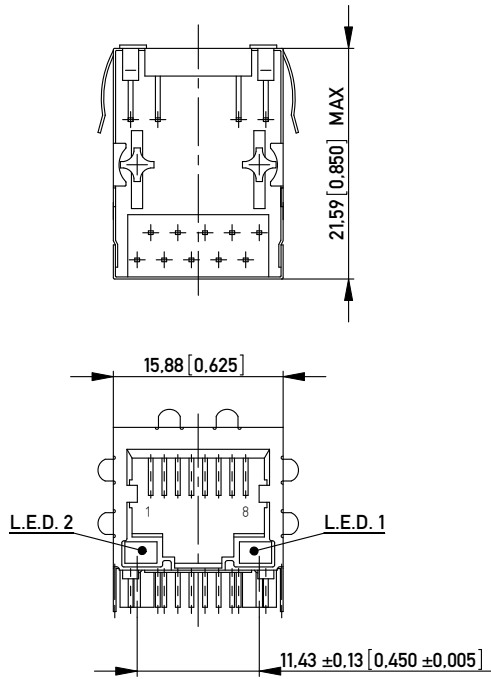


RECOMMENDED PANEL CUTOUT
EMPFOLLENER FRONTPLATTEN AUSSCHNITT



NOTE 1: SIDE SHIELD TABS IN REAR 3.05mm (R)
NOTE 2: PANEL GROUND FLANGES BOTH SIDES, TOP AND BOTTOM (GF5)
NOTE 3: RoHS COMPLIANT; PRINT "RC" WITH DATE CODE

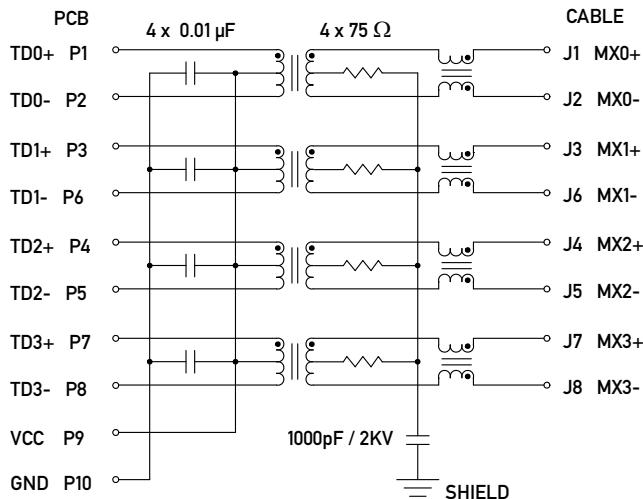
NO. IDENT. NR.	LED 2 LEFT LED 2 LINKS	LED 1 RIGHT LED 1 RECHTS	LED CODE
203224	YELLOW	GREEN	L1
203225	GREEN	YELLOW	L2
203226	GREEN	GREEN	L3
203227	YELLOW	YELLOW	L8
203228	ORANGE/GREEN	ORANGE/GREEN	L9

MATERIALS AND FINISH

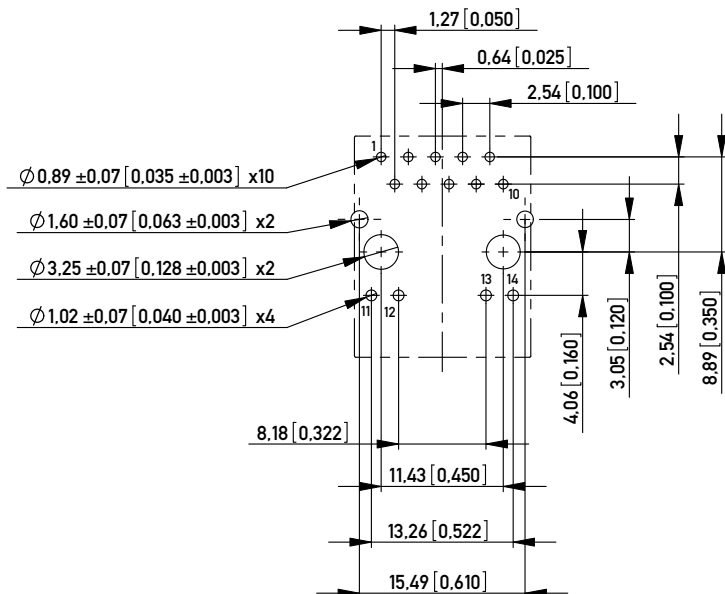
HOUSING: GLASS FILLED POLYESTER UL 94 V-0 BLACK
SHIELDING: Cu ALLOY, PLATED WITH Ni
CONTACTS: PHOSPHOR BRONZE
CONTACT FINISH: Au, 0.8 µm (30 µin), OVER Ni
TERMINAL FINISH: Sn MATTE
LED LENS: EPOXY
MECHANICAL CHARACTERISTICS
DURABILITY: 1000 MATING CYCLES
ELECTRICAL CHARACTERISTICS
CONTACT RESISTANCE: 30 MILLIOHMS MAX
OPERATING TEMPERATURE: 0°C TO 70°C

Copyright by ERNI GmbH Proprietary notice pursuant to ISO 16116 to be observed.	Information: SCHEMATIC NUMBER: M5B02		Tolerances 	Scale 2:1 All Dimensions in mm [in]
	All rights reserved. Only for Information. To insure that this is the latest version of this drawing, please contact one of the ERNI companies before using.		Subject to modification without prior notice. Drawing will not be updated.	
Designation MOD JACK - MJIM 8C10T, 1x1, INT. MAG., LED ALIGNED		www.ERNI.com		133866
D	02.05.2007	Class		MJIM
Index	Date			1 (1/2) A3

ELECTRICAL SCHEMATICS 1000 BASE T - M5B02
ELEKTRISCHER SCHALTPLAN



RECOMMENDED PCB LAYOUT (COMPONENT SIDE VIEW)
EMPFOHLENES LEITERPLATTEN-LAYOUT (BESTUECKUNGSSEITE)
TOL ±0.05 [0.02] UNLESS NOTED



LED SPECIFICATIONS
LED ANWEISUNG

MAGNETICS SPECIFICATIONS @ 25°C

TURN RATIO:	1CT:1CT ±3%
OCL(100 KHz, 0.1 V, 8 mA)	350 µH MIN
INSERTION LOSS:	
1-100 MHz	-1.1 dB MAX
RETURN LOSS:	
1-40 MHz	-18 dB MIN
60 MHz	-14 dB MIN
80 MHz	-12 dB MIN
100 MHz	-10 dB MIN
CROSSTALK:	
1-100 MHz	-35 dB TYP
CMR:	
0.1-30 MHz	-50 dB TYP
30-60 MHz	-40 dB TYP
60-100 MHz	-35 dB TYP
ISOLATION	1500 Vrms

COLOR FARBE	V _f TYP	V _f MAX	I _f mA	CIRCUIT DIAGRAM SCHALTSKIZZE
YELLOW	2.1	2.5	20	
GREEN	2.2	2.5	20	
ORANGE/GREEN	2.05/2.2	2.5	20	

Information:	Tolerances		Scale	2:1
	All Dimensions in mm [in]		Designation	MOD JACK - MJIM
All rights reserved. Only for Information. To insure that this is the latest version of this drawing, please contact one of the ERNI companies before using.	Subject to modification without prior notice. Drawing will not be updated.		8C10T, 1x1, INT. MAG., LED ALIGNED	
		www.ERNI.com	133866	I (2/2) A3
Class			MJIM	

Copyright by ERNI GmbH
Proprietary notice pursuant to ISO 16016 to be observed.