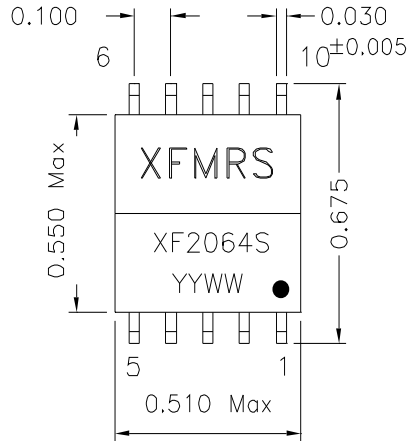
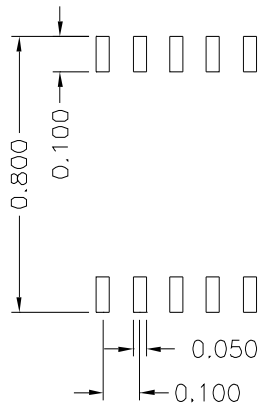


### 1. Dimensions:

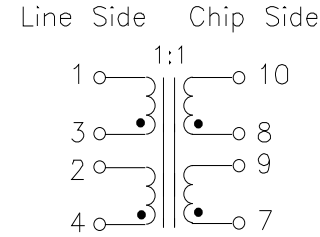


CO-PLANARITY: 0.004 Max



Suggested PCB Layout

### 2.Schematic:



### 3.Electrical Specifications: @25°C

Isolation: 1500Vrms

PIN10-7 OCL: 480uH±10% @10KHz 100mV

(CONNECT PIN8-9)

Leakage L: Pins1-4 10uH Max 300KHz, 0.1v  
(Short 7-8-9&10)

DCR: 3-1, 4-2 0.3 Ohms Max (each)

DCR: 8-10, 7-9 0.5 Ohms Max (each)

Long Bal: -40dB Min 30Khz to 1.1MHz

THD: -72dB Min @10KHz

Insertion Loss: 1.0dB Max 100KHz & 1.1MHz

TURNS RATIO: (1-4):(10-7)=1CS:1CS ±2%

Application: CPE

DOC. REV A/1

XFMRS Inc	Title: ADSL TRANSFORMER		
	UNLESS OTHERWISE SPECIFIED	P/N: XF2064S	REV. A
	TOLERANCES: .xxx ±0.010	DWN. 李清儿	Jun-14-99
	Dimensions in INCH	CHK. 孙悦	Jun-14-99
SHEET 1 OF 1	APP. Joe Huff	Jun-14-99	