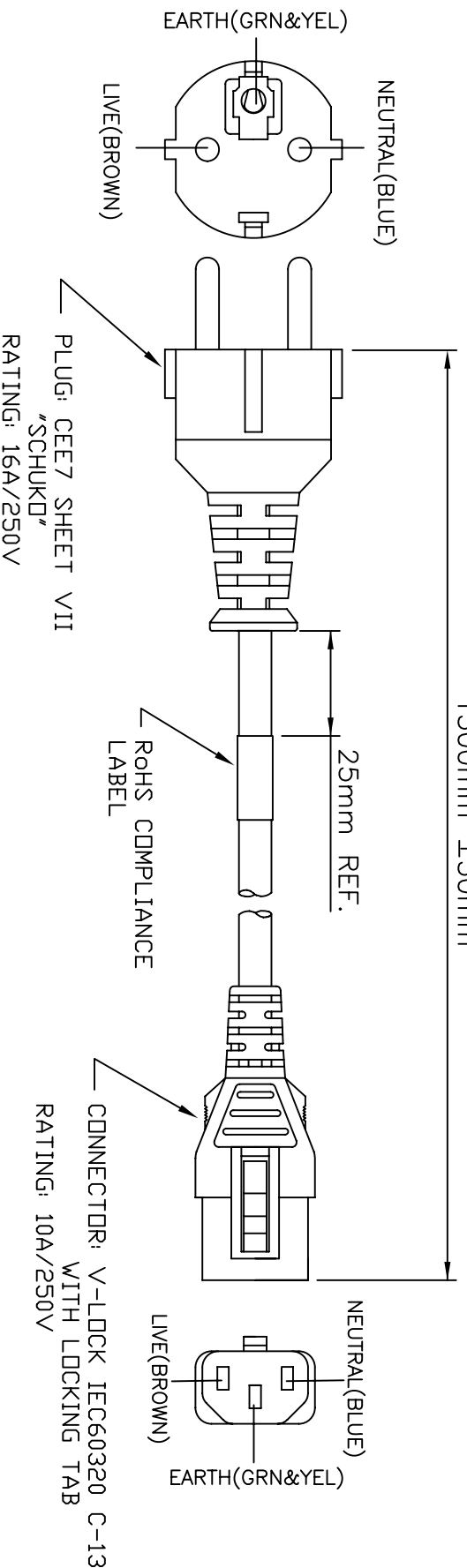
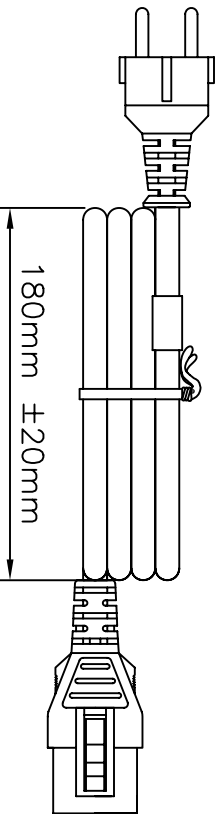


1500mm ±50mm



VOLEX RESERVES THE RIGHT TO ALTER NON-CRITICAL DIMENSIONS WITHOUT NOTICE.

PACKAGING: FOLD & TIE



NOTES

- 1) CORDAGE: HD5VV-F 3 X .75mm, BLACK, LEAD FREE
- 2) APPROVALS: N S D FT IEC
- 3) PACKAGING: 70 PIECES PER CARTON
- 4) THIS ITEM IS A CORD ONLY. NO C-14 INLET INCLUDED.

REV	DESCRIPTION	DATE
1	C.U.D - NEW RELEASE	6/21/07

SCALE:	ECD:	ITEM DESCRIPTION
NDT TO SCALE	N/A	CORSET - EUROPEAN V-LOCK DETACHABLE POWER SUPPLY CORD (1.5M)

TOLERANCE UNLESS OTHERWISE SPECIFIED	APPROVED	DRAWN BY	DATE:
.XXX ± .005 .XX ± .02 .X ± .03 FRACT. ± 1/32 ANGULAR ± 1/2°	STC	STC	6/21/07

 CUD	<input checked="" type="checkbox"/> Indianapolis, IN <input type="checkbox"/> Conover, N.C. <input type="checkbox"/> Freemont, CA <input type="checkbox"/> Aguascalientes, MX <input type="checkbox"/> Tijuana, Mexico <input type="checkbox"/> Hermosillo, MX <input type="checkbox"/> Clinton, AR <input type="checkbox"/> Kanata, Canada	Proprietary Notice: This document is the property of Volex Incorporated. The information contained herein is not to be disclosed to anyone without the express written consent of Volex Inc.	MATERIAL: PLUG: PVC-BLACK CONNECTOR: PVC-BLACK JACKET: PVC-BLACK FINISH: JACKET: SMOOTH	PART NO.: VL-1024-21-150
----------------	--	--	--	------------------------------------

FORM IN71-07 REV.A

Mouser Electronics

Authorized Distributor

Click to View Pricing, Inventory, Delivery & Lifecycle Information:

[Volex:](#)

[VL-1024-21-150](#) [VL-1424-21-150](#)