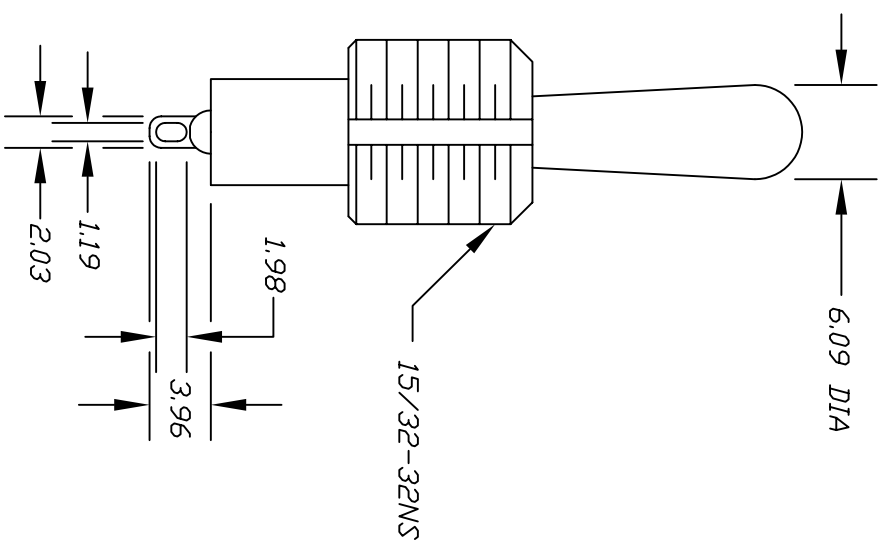
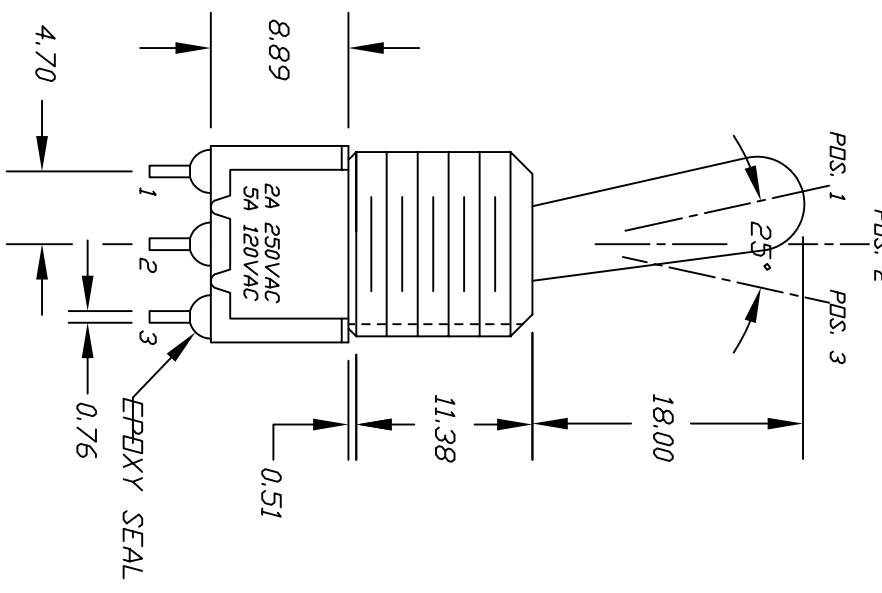
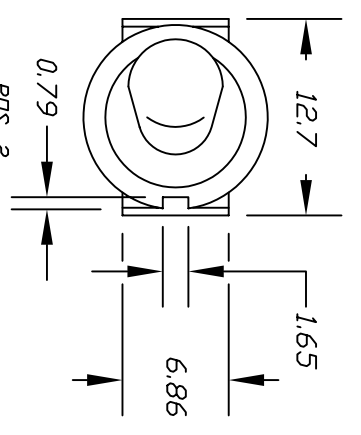


CONTACT CONFIGURATION

SWITCH FUNCTION		
POS. 1	POS. 2	POS. 3
DN	NONE	DN
2-3	OPEN	2-1

NOTES:

1. ALL DIMENSIONS IN MM [INCH]
2. TERMINAL NUMBERS FOR REDF ONLY
3. PLATING MATERIAL: SILVER
4. RATING: 5A @ 120VAC DR 28VDC  
2A @ 250VAC
5. ELECTRIC LIFE: 40,000 MAKE-AND-BREAK CYCLES AT FULL LOAD
6. INSULATION RESISTANCE: 1,000 MEGA-OHM MIN.
7. DIELECTRIC STRENGTH: 1,000 VRMS @ SEA LEVEL
8. OPERATING TEMP: -30°C TO 85°C
9. ▲ DENOTES CRITICAL PARAMETER
10. 2002/95/EC (ROHS) COMPLIANT



REV.	ECN NO.	DESCRIPTION	DATE	CHKD
C	15511	ADD ROHS NOTE	11/8/05	PH
B	15149	CHANGED DIM&UPDATED NOTES	8/5/05	PV
A		RELEASED FOR PRODUCTION		

TOLERANCES

0.0	±0.4
0.00	±0.25

**E-SWITCH**

100 SP1 T8 B13 M1 Q E

SCALE 2:1 DATE 8/27/96 DR MM DWG T111027 REV C

THE INFORMATION CONTAINED IN THIS DOCUMENT IS PROPRIETARY TO E-SWITCH AND IS NOT TO BE COPIED OR TRANSFERRED