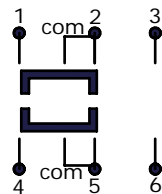


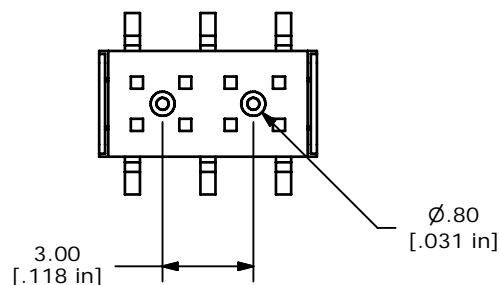
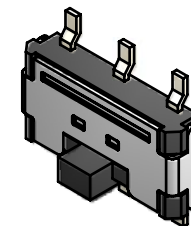
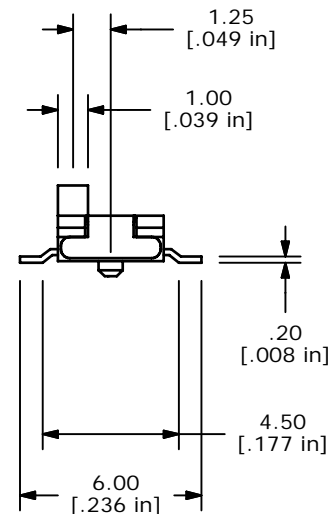
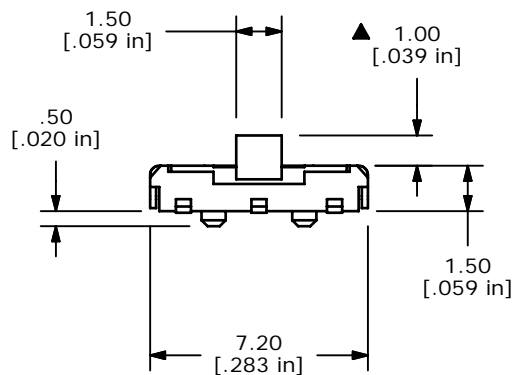
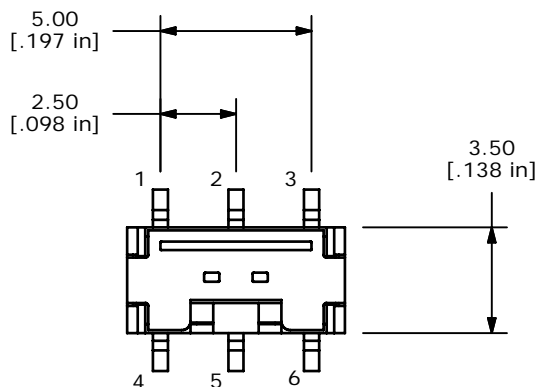
PCB LAYOUT



SCHEMATIC ▲

NOTES:

1. ALL DIMENSIONS IN MM [INCH]
2. GENERAL TOLERANCE: X.X=±0.4
X.XX=±0.25
3. TERMINAL NUMBERS FOR REF ONLY
4. RATING: CURRENT: 300mA
VOLTAGE: 4 VDC
5. OPERATING LIFE: 10,000 MAKE-AND-BREAK CYCLES
6. INSULATION RESISTANCE: 100VDC, 100M OHM. MIN.
- ▲ 7. OPERATING FORCE: 200gf ± 150 BOTH DIRECTIONS
8. OPERATING TEMP.: -10°C to 60°C
- ▲ 9. TRAVEL: 1.5 ± 0.1mm EACH POSITION
10. CONTACT RESISTANCE: 70 m OHM. MAX.
11. ▲ DENOTES CRITICAL PARAMETER.
12. PACKAGING: TAPE & REEL, 1500 PIECES PER REEL.
12. 2002/95/EC (ROHS) COMPLIANT



B	18142	reel qty was 3000	6/18/08	rc
A	18103	NEW RELEASE	5/5/08	RC
REV	PCR NO	DESCRIPTION	DATE	BY

TITLE EG1390A				
SCALE	DATE	DR	DWG	REV
2=1	5/5/2008	rc	D041240	B

THE INFORMATION CONTAINED IN THIS DOCUMENT IS PROPRIETARY TO E-SWITCH AND IS NOT TO BE COPIED OR TRANSFERRED