

# D2E146 Series

## Centrifugal Blower

### Ø 146mm 4-speed



■ AC dual inlet, forward curved centrifugal blower operates at 4 air flow levels. Via brackets, the standard external-rotor motor is mounted on one side of the scroll housing.

■ Scroll housing with integrated terminal box made of polypropylene reinforced with French chalk, colored in black, and impeller made of polypropylene in natural color.

■ Direction of rotation is CCW as seen on plug. Insulation class "F".

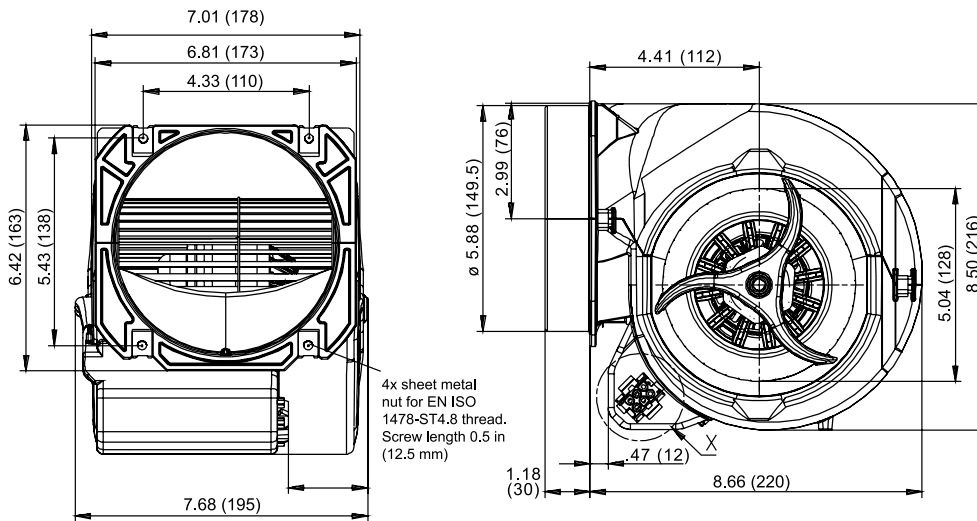
■ Cable harness must be ordered separately.

Part Number	Inches	(mm)
21956-4-1040	11.81	(300)
21957-4-1040	17.72	(450)
21958-4-1040	25.60	(650)
21959-4-1040	39.37	(1000)

■ VDE/CE approvals. UL on request.

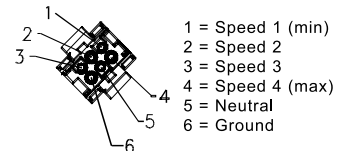
Part Number	Curve	CFM @ 0	VAC	Hertz	Power (W)	dBA	Max Amb. Temp C
D2E146-HT65-14	1	582	115	60	455	63	50
D2E146-HR25-13	1	350	115	60	192	52	50
D2E146-HS97-01	1	300	230	60*	215	63	50
D2E146-HR93-01	1	205	230	60*	160	63	50

\* 50 Hz data available.



### Wiring Diagram View X

AMP Universal  
MATE-N-LOCK  
Housing # 926 682-3  
Wire Pin # 926 866-1



# D2E146 Series Performance Curves

Centrifugal Blower

Ø 146mm 4-speed

