



MAX8608Y Evaluation Kit

General Description

The MAX8608Y evaluation kit (EV kit) is a fully assembled and tested circuit board that evaluates the MAX8608Y step-up DC-DC converter, which provides two output connections for either white LED (WLED) drive or organic LED (OLED) power at up to 85% efficiency. The EV kit operates from a 2.7V to 5.5V input and is configured to drive six surface-mount WLEDs with an output current of 25mA, as well as provide a regulated 25V output voltage (at up to 40mA) for OLED power.

The MAX8608Y EV kit can also evaluate the MAX8608Z, which does not feature the temperature (T_A) derating function. The T_A derating function is offered only by the MAX8608Y. Either IC provides the flexibility of controlling LED brightness through an external analog or PWM dimming signal.

Part Selection Table

PART	TEMPERATURE DERATING
MAX8608YETD	Yes
MAX8608ZETD	No

Features

- ◆ 2.7V to 5.5V Input Range
- ◆ WLED Drive Up to 6 LEDs at 25mA
- ◆ OLED Drive at 25V (Up to 40mA)
- ◆ High Efficiency Up to 85%
- ◆ Analog or PWM Dimming Control
- ◆ 1MHz PWM Switching Frequency (Selectable 500kHz)
- ◆ 14-Pin TDFN Package
- ◆ Low-Profile Components (1.7mm max)
- ◆ Fully Assembled and Tested

Ordering Information

PART	TEMP RANGE	IC PACKAGE
MAX8608YEVKIT	0°C to +70°C	14 TDFN, 3mm x 3mm

Component List

DESIGNATION	QTY	DESCRIPTION
C1	1	1μF ±10%, 35V X7R ceramic capacitor (0805) Taiyo Yuden GMK212BJ105KG
C2	1	0.001μF ±10%, 50V X7R ceramic capacitor (0402) Taiyo Yuden UMK105BJ102KV
C3	1	0.01μF ±10%, 25V X7R ceramic capacitor (0402) Taiyo Yuden TMK105BJ103KV
C4	1	4.7μF ±10%, 6.3V X5R ceramic capacitor (0603) Murata GRM188R60J475KE
D1	1	200mA, 40V Schottky diode (SOD523) CMOS-4E lead free Central Semiconductor
D2-D7	6	White LEDs Nichia NSCW215T

DESIGNATION	QTY	DESCRIPTION
JU1	1	2-pin header
JU2, JU3	2	3-pin headers
JU4	0	3-pin header, not installed
L1	1	22μH, 250mA inductor (1210) Murata LQH32CN220K53
R1	1	13.0Ω ±1% resistor (0603)
R2	1	475kΩ ±1% resistor (0402)
R3	1	6.19kΩ ±1% resistor (0402)
R4	1	10kΩ ±5% resistor (0402)
R5	1	100kΩ ±5% resistor (0402)
U1	1	MAX8608YETD (14-pin, 3mm x 3mm) (top mark: AAN)
—	3	Shunts
—	1	MAX8608Y EV kit PC board

MAX8608Y Evaluation Kit

Recommended Equipment

- 2.7V to 5.5V, 1A power supply
- One voltmeter

Quick Start

The MAX8608Y EV kit is fully assembled and tested. Follow these steps to verify board operation. **Do not turn on the power supply until all connections are completed.**

For WLED operation:

- 1) Verify that a shunt is installed across pins 1-2 of jumper JU3 to enable VOUTA.
- 2) Verify that a shunt is installed across jumper JU1 to set full LED brightness.
- 3) Connect the positive terminal of the power supply to the VIN pad. Connect the ground terminal of the power supply to the PGND pad.
- 4) Turn on the power supply and set it to 3.6V.
- 5) Verify that all the white LEDs are lit.

For OLED operation:

- 1) Verify that a shunt is installed across pins 1-2 of jumper JU2 to enable VOUTB.
- 2) Verify that a shunt is installed across pins 2-3 of jumper JU3 to disable VOUTA.
- 3) Connect the voltmeter across the VOUTB and GND pads.
- 4) Connect the positive terminal of the power supply to the VIN pad. Connect the ground terminal of the power supply to the PGND pad.
- 5) Turn on the power supply and set it to 3.6V.
- 6) Verify that the voltmeter reads 25V.

Detailed Description

The MAX8608Y EV kit is a step-up DC-DC converter optimized for driving either six WLEDs in series or powering an OLED display. The EV kit is powered by a 2.7V to 5.5V power supply and provides two output connections, VOUTA and VOUTB. VOUTA is configured to deliver a 25mA driving current to six WLEDs, and VOUTB is configured to provide a 25V regulated output at 40mA for OLED power. The MAX8608Y features a T_A derating function that automatically limits the WLED current at high temperatures in accordance with the derating curves of popular white LEDs. The T_A derating function of the MAX8608Y is only operational when VOUTA is enabled. See the *Enable and Output Control* section for output configuration. Overvoltage protection

is also provided to prevent the internal MOSFET from switching when the converter output exceeds 27V.

Operating Frequency Selection (FSEL)

The MAX8608Y EV kit provides the option to configure the operating frequency of the step-up DC-DC converter. Table 1 lists jumper JU4 settings for configuring the operating frequency. The EV kit is configured and shipped to operate at 1MHz. For operation at 500kHz, cut the trace between pins 2 and 3 of jumper JU4, located on the solder side, and short pins 1 and 2. Refer to the MAX8608Y data sheet for selecting proper components when operating at 500kHz.

Table 1. Jumper JU4 Function

SHUNT LOCATION	FSEL PIN	OPERATING FREQUENCY
1-2	Connected to VIN (cut the trace between pins 2-3 before shorting pins 1-2).	500kHz
2-3 (default)	Connected to GND with a PC trace.	1MHz

Enable and Output Control

The MAX8608Y IC provides two enable inputs, ENA and ENB, to enable/disable the corresponding outputs, VOUTA and VOUTB. The ENA input is set through jumper JU3 and the ENB input is set through jumper JU2. The ENA input has precedence over the ENB input and thus, as long as the VOUTA output is enabled, the VOUTB output will be disabled. See Table 2 for output configuration.

Table 2. Jumper JU2 and JU3 Functions

SHUNT LOCATION		MAX8608Y EV KIT OUTPUTS	
JU2 (ENB)	JU3 (ENA)	VOUTB	VOUTA
1-2	2-3	Enabled	Disabled
1-2	1-2	Disabled	Enabled
2-3	1-2	Disabled	Enabled
2-3	2-3	Shutdown mode	

Controlling LED Intensity

The LED intensity can be controlled using the CTRL input PC board pad on the EV kit. CTRL can be used either as an analog or a digital input. When using CTRL as an analog input, connect a 0 to 1.65V power supply

MAX8608Y Evaluation Kit

to CTRL, where 0V corresponds to the dimmest LED setting and 1.65V corresponds to full brightness.

A digital PWM signal (up to 200kHz) can also be connected directly to CTRL. In this case, the duty cycle controls the brightness of the LEDs, where 0% corresponds to zero LED current and 100% is full brightness. The recommended PWM signal has a logic-low level of 0V and a logic-high level greater than 1.65V.

Pullup resistor R5 and jumper JU1 are provided so the EV kit can be used without applying a dimming signal to CTRL. With a shunt installed on jumper JU1 and no other connection to CTRL, the LEDs are set to full brightness. If CTRL is being driven, the shunt across jumper JU1 can be removed. See Table 3 for jumper JU1 settings. Remove the shunt across jumper JU1 when measuring quiescent current with the circuit in shutdown mode.

Table 3. Jumper JU1 Function

SHUNT LOCATION	CTRL PIN	LED INTENSITY
Installed (default)	Connected to VIN through resistor R5.	Full brightness
Not Installed	Connect an external analog signal or PWM signal to the CTRL pad.	Adjustable

Evaluating the MAX8608Z

The MAX8608Y EV kit can also evaluate the MAX8608Z white LED/organic LED step-up DC-DC converter. The MAX8608Y IC must be removed and replaced with the MAX8608Z IC. Refer to the MAX8608Y/MAX8608Z IC data sheet for detailed information about these parts.

Component Suppliers

SUPPLIER	PHONE	FAX	WEBSITE
Central Semiconductor	631-435-1110	631-435-1824	www.centalsemi.com
Murata	770-436-1300	770-436-3030	www.murata.com
Nichia	248-352-6575	—	www.nichia.com
Taiyo Yuden	408-573-4150	408-573-4159	www.t-yuden.com

Note: Indicate that you are using the MAX8608Y when contacting these component suppliers.

Evaluates: MAX8608Y/MAX8608Z

MAX8608Y Evaluation Kit

Evaluates: MAX8608Y/MAX8608Z

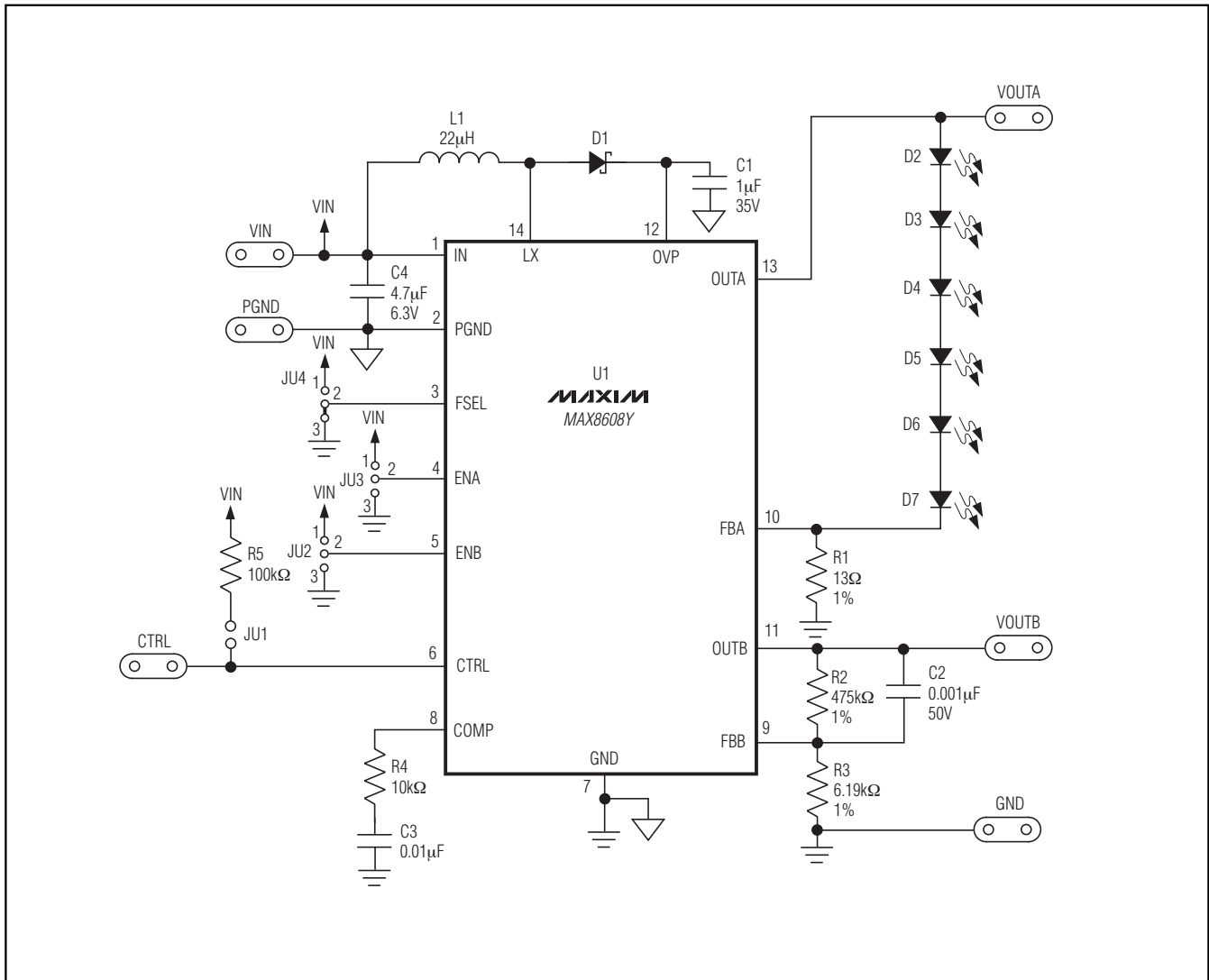


Figure 1. MAX8608Y EV Kit Schematic

MAX8608Y Evaluation Kit

Evaluates: MAX8608Y/MAX8608Z

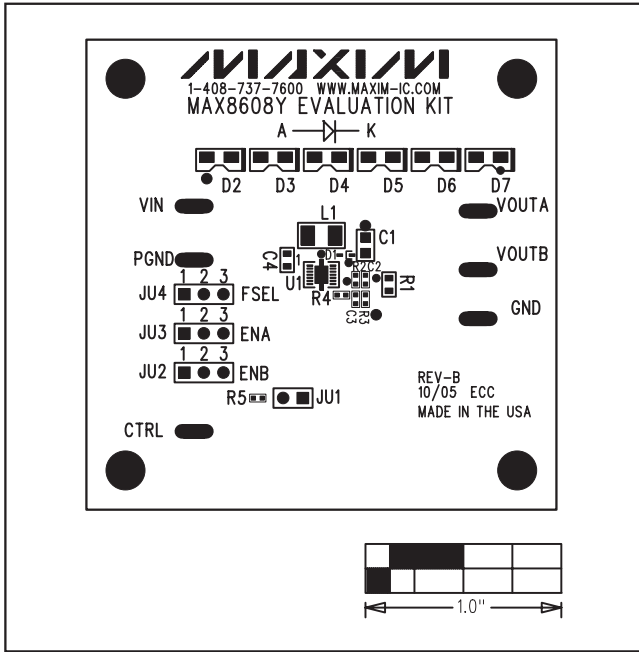


Figure 2. MAX8608Y EV Kit Component Placement Guide—Component Side

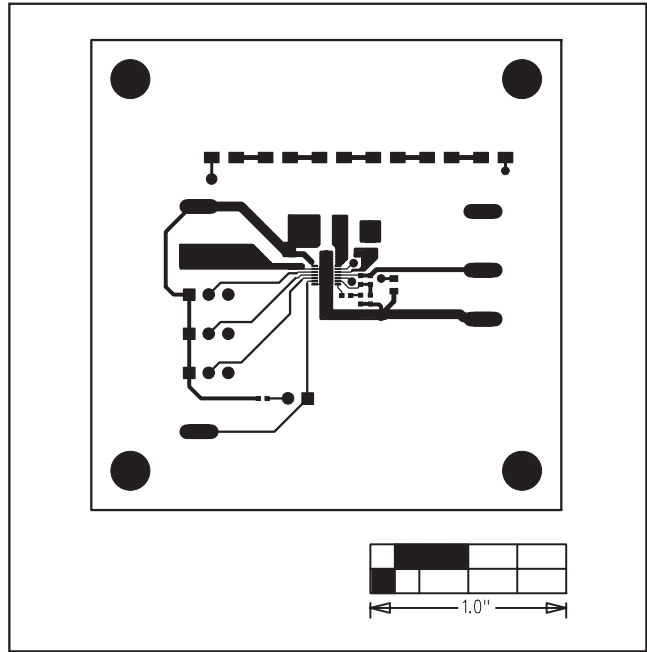


Figure 3. MAX8608Y EV Kit PC Board Layout—Component Side

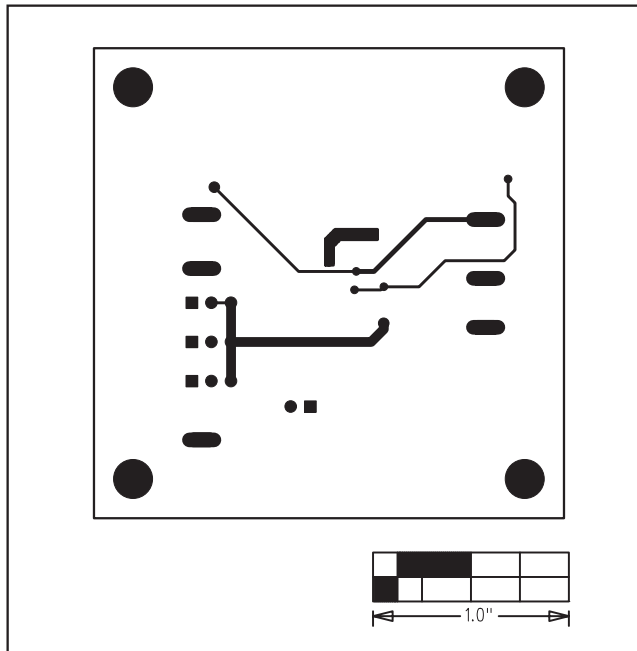


Figure 4. MAX8608Y EV Kit PC Board Layout—Solder Side

Maxim cannot assume responsibility for use of any circuitry other than circuitry entirely embodied in a Maxim product. No circuit patent licenses are implied. Maxim reserves the right to change the circuitry and specifications without notice at any time.

Maxim Integrated Products, 120 San Gabriel Drive, Sunnyvale, CA 94086 408-737-7600 _____ 5