

General Description

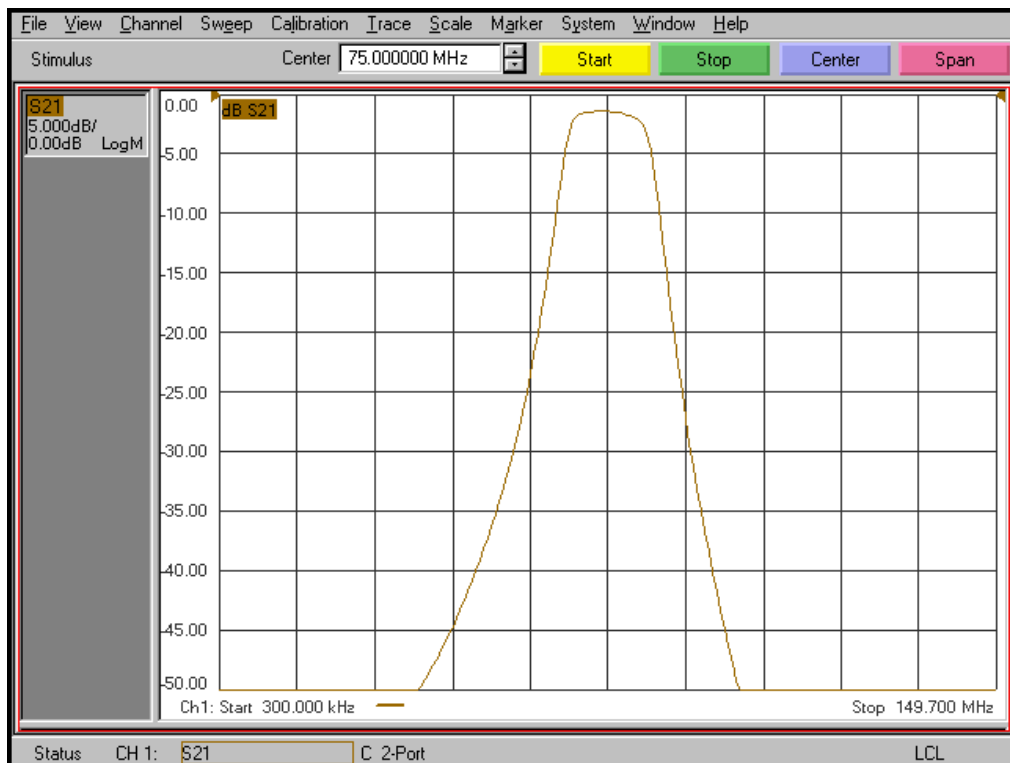
KR Electronics part number 3262 is a 75 MHz Bandpass filter. The filter has a 3 dB bandwidth of 16 MHz. Other center frequencies and bandwidths are available. Please consult the factory.

Features

- 75 MHz Bandpass Filter
- 3 dB Bandwidth 16 MHz
- 40 dB Bandwidth 47 MHz typical
- 50 Ω Source and Load
- Other frequencies available
- Also available with SMA Connectors

Typical Performance

Overall Response (5 dB/div)

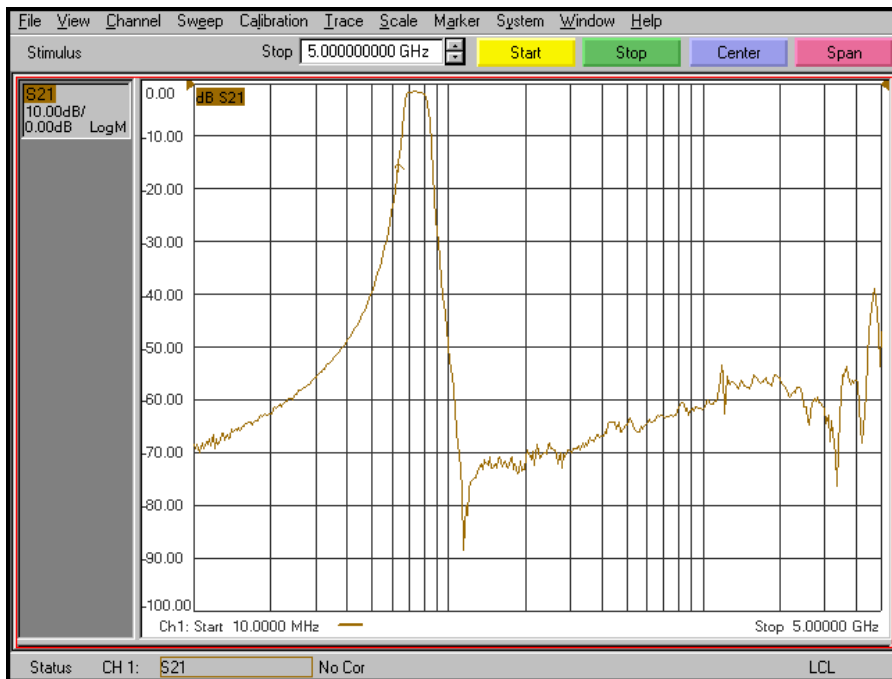


KR Electronics 3262

Passband Amplitude & Group Delay (1 dB/div & 10 nsec/div)



Overall Response (10 dB/div)



KR Electronics, Inc.
91 Avenel Street
Avenel, NJ 07001

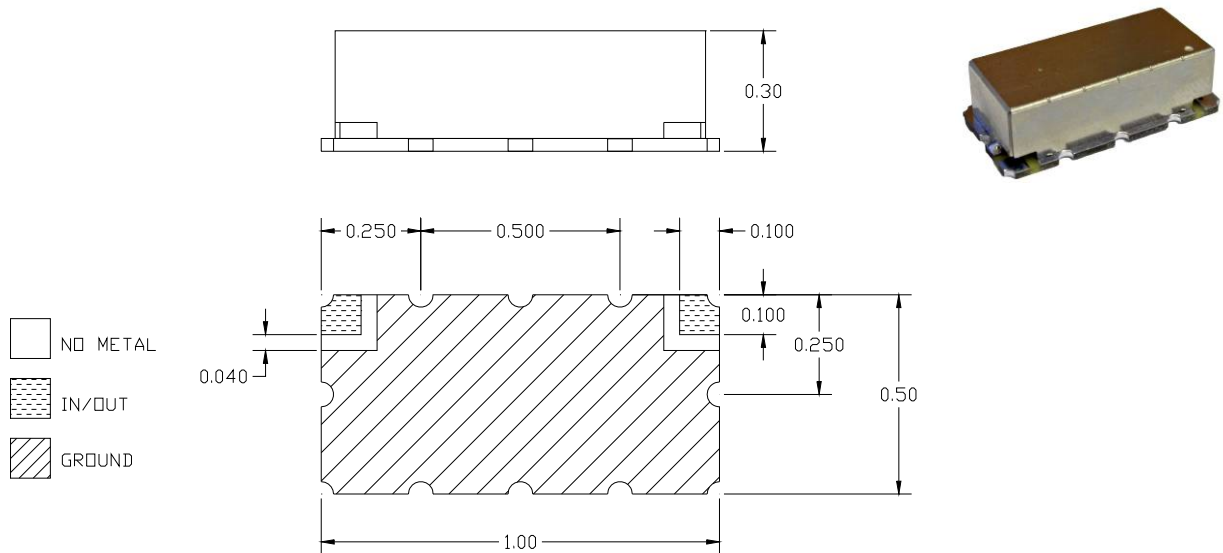
Web www.krfilters.com
Email sales@krfilters.com
Phone (732) 636-1900
Fax (732) 636-1982

KR Electronics 3262

Specifications

Parameter	Specification
Filter type	Bandpass
Center Frequency	75 MHz
Insertion Loss at Fc	2.5 dBa max < 1.5 dBa typical
1 dBc Bandwidth	13 MHz typical
3 dBc Bandwidth	16 MHz ±10%
40 dBc Bandwidth	47 MHz typical
50 dBc Bandwidth	64 MHz typical
60 dBc Bandwidth	85 MHz typical
Source and Load	50 Ω

Physical Dimensions



Notes:

1. Surface mount package
2. Dimensions in inches
3. Max reflow temperature 230° C for 10 sec
4. If boards are cleaned after installation units must be completely dried

KR Electronics, Inc.
91 Avenel Street
Avenel, NJ 07001

Web www.krfilters.com
Email sales@krfilters.com
Phone (732) 636-1900
Fax (732) 636-1982