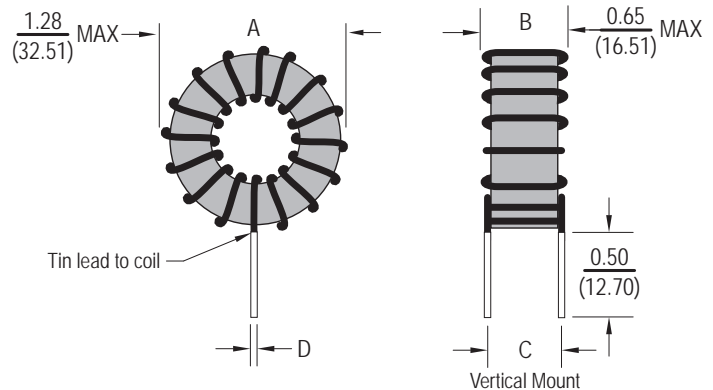




Toroidal Chokes

VTC570

Dimensions: $\frac{\text{Inches}}{\text{(mm)}}$



Allied Part Number	L(mH) $\pm 15\%$ @ 1KHZ	IDC (A)	L(μ H) $\pm 15\%$ @ I rated	DCR Ω Max	Dim A Nom.	Dim B Nom.	Dim C Nom.	Dim D Nom.
VTC5701-RC	10	11.0	5	0.008	0.875	0.437	0.32	0.064
VTC5702-RC	25	5.50	12	0.014	0.875	0.437	0.30	0.040
VTC5703-RC	125	2.75	70	0.12	0.875	0.437	0.30	0.020
VTC5704-RC	275	2.00	150	0.24	0.875	0.437	0.30	0.016
VTC5705-RC	450	1.50	250	0.49	0.875	0.437	0.30	0.012
VTC5706-RC	25	9.00	15	0.012	1.125	0.562	0.45	0.064
VTC5707-RC	75	5.00	40	0.04	1.125	0.562	0.42	0.036
VTC5708-RC	400	2.25	225	0.33	1.125	0.562	0.42	0.018
VTC5709-RC	800	1.75	475	0.64	1.125	0.562	0.42	0.015
VTC5710-RC	1000	1.50	575	0.98	1.125	0.562	0.40	0.012
VTC5711-RC	50	9.50	25	0.012	1.250	0.625	0.53	0.064
VTC5712-RC	150	4.75	85	0.046	1.250	0.625	0.50	0.036
VTC5713-RC	700	2.25	400	0.42	1.250	0.625	0.50	0.018
VTC5714-RC	1250	1.75	750	0.85	1.250	0.625	0.48	0.015
VTC5715-RC	1600	1.50	950	1.27	1.250	0.625	0.48	0.012
VTC5716-RC	125	7.75	65	0.032	1.812	0.750	0.68	0.064
VTC5717-RC	500	4.00	275	0.15	1.812	0.750	0.65	0.032
VTC5718-RC	1100	2.50	650	0.33	1.812	0.750	0.65	0.025
VTC5719-RC	2250	1.75	1350	0.92	1.812	0.750	0.65	0.018
VTC5720-RC	4500	1.25	2700	2.64	1.812	0.750	0.65	0.012
VTC5721-RC	250	8.00	125	0.041	2.125	0.937	0.79	0.062
VTC5722-RC	900	3.75	500	0.175	2.125	0.937	0.75	0.032
VTC5723-RC	1800	2.50	1000	0.55	2.125	0.937	0.75	0.023
VTC5724-RC	4000	1.75	2100	1.16	2.125	0.937	0.74	0.018
VTC5725-RC	8000	1.00	4500	3.34	2.125	0.937	0.74	0.012
VTC5726-RC	25	2.50	16	0.040	0.550	0.220	0.21	0.020
VTC5727-RC	35	2.50	29	0.035	0.700	0.320	0.30	0.025
VTC5728-RC	50	2.50	35	0.060	0.750	0.320	0.28	0.020
VTC5729-RC	100	2.50	70	0.080	0.850	0.360	0.33	0.020
VTC5730-RC	70	3.00	50	0.050	0.850	0.360	0.33	0.025
VTC5731-RC	40	4.00	30	0.025	0.850	0.360	0.34	0.032

Features

- Low Magnetic Radiation
- High Current Capacity up to 11A
- Wide Inductance Range

Electrical

Inductance Range: 10 μ H to 8000 μ H

Tolerance: 15%,

Test Frequency: 1KHz

Operating Temp: -55°C ~ +105°C

IDC: Temperature Rise 30°C Max @ Rated IDC

Test Equipment

(L): 100 LCR meter or equivalent

DCR: Chen Hwa 502

Physical

Packaging: Box

Marking: None