

### Description

The CXP84300 is a CMOS 8-bit single chip micro-computer of piggyback/evaluator combined type, which is developed for evaluating the function of the CXP84332/84340.

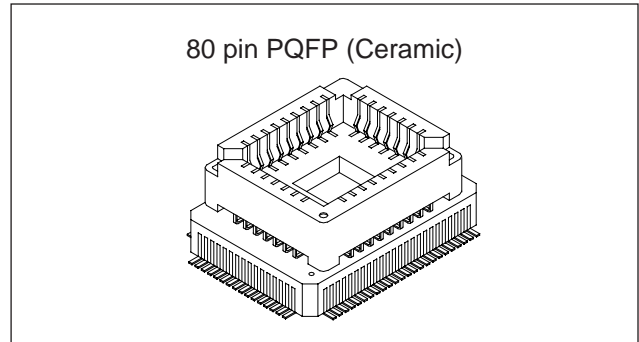
### Features

- Wide-range instruction system (213 instructions) to cover various types of data
  - 16-bit operation/multiplication and division/Boolean bit operation instructions
- Minimum instruction cycle      400ns at 10MHz operation  
                                                  122 $\mu$ s at 32kHz operation
- Applicable EPROM                    LCC type 27C512  
                                                  (Maximum 40K bytes are available.)
- Incorporated RAM capacity      1120 bytes
- Peripheral functions
  - A/D converter                        8-bit, 8-channel, successive approximation method  
                                                  (Conversion time of 32 $\mu$ s/10MHz)
  - Serial interface                        Incorporated 8-bit, 8-stage FIFO  
                                                  (Auto transfer for 1 to 8 bytes), 1 channel  
                                                  8-bit clock sync type, 1 channel
  - Timer                                      8-bit timer  
                                                  8-bit timer/counter  
                                                  19-bit time base timer  
                                                  16-bit capture timer/counter  
                                                  32kHz timer/counter
  - Remote control reception circuit    8-bit pulse measurement counter with on-chip 6-stage FIFO
  - PWM output                            14 bits, 1 channel
- Interruption                            15 factors, 15 vectors, multi-interruption possible
- Standby mode                            Sleep/stop
- Package                                    80-pin ceramic QFP

**Note)** Mask option depends on the type of the CXP84300. Refer to the Products List for details.

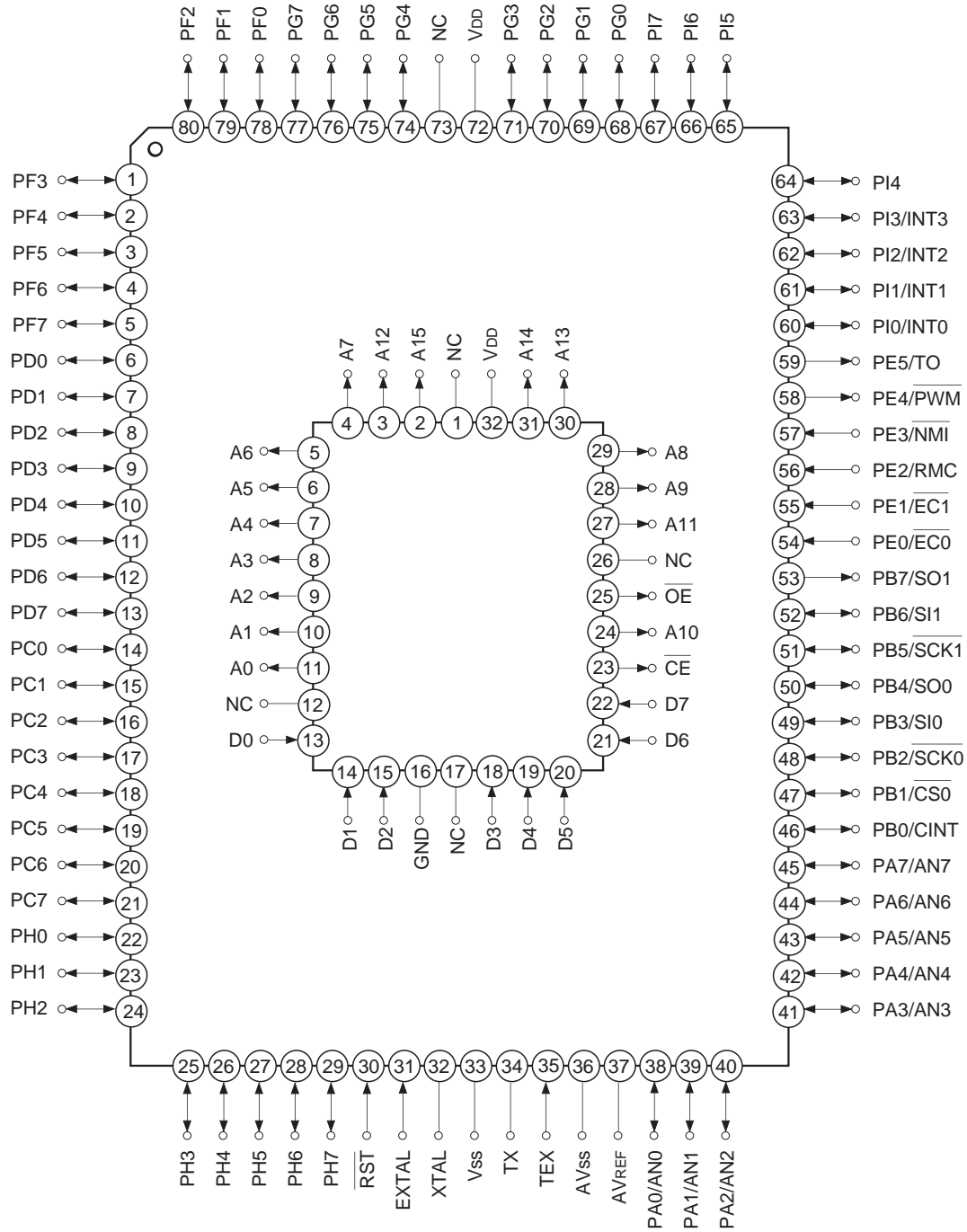
### Structure

Silicon gate CMOS IC



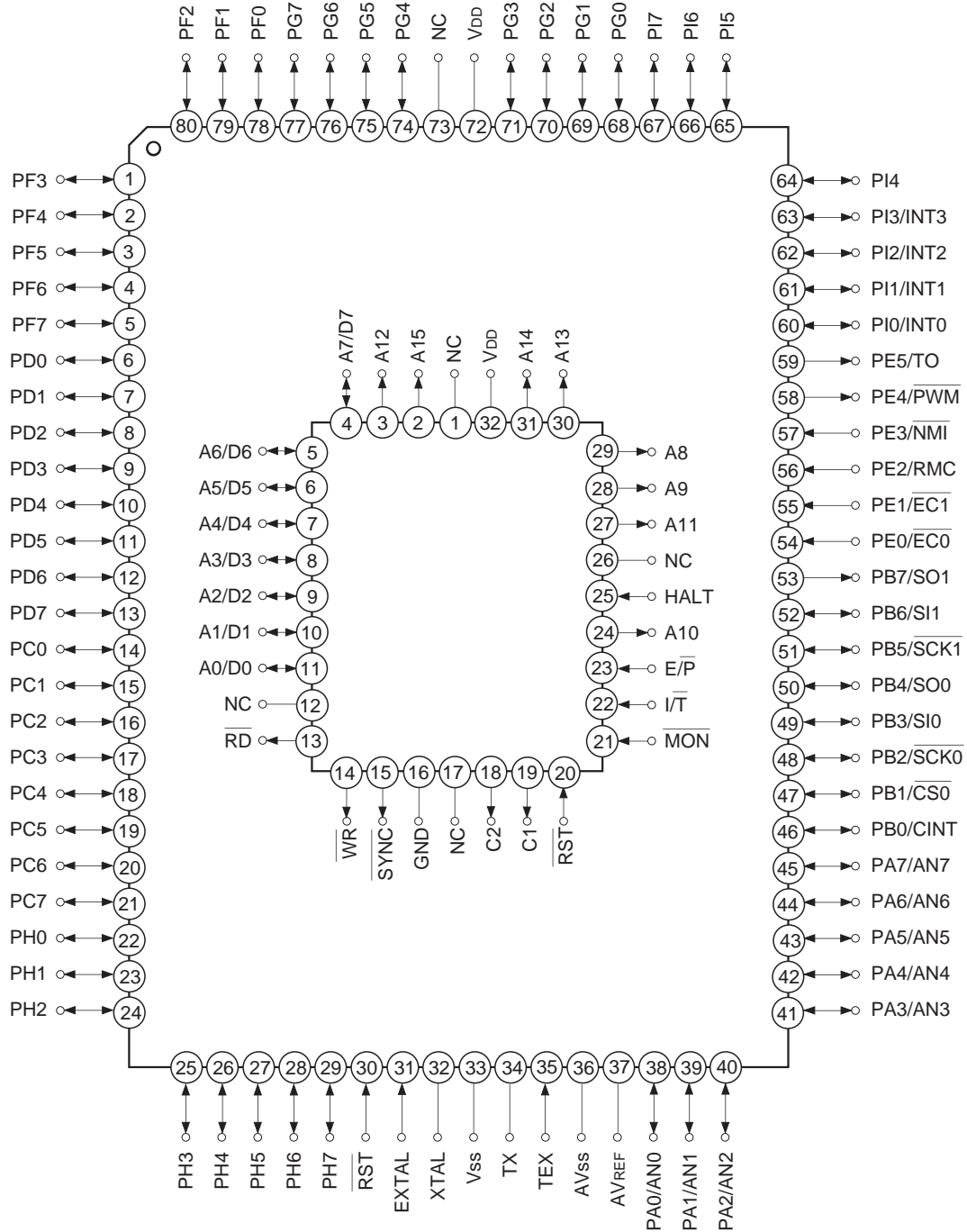
Sony reserves the right to change products and specifications without prior notice. This information does not convey any license by any implication or otherwise under any patents or other right. Application circuits shown, if any, are typical examples illustrating the operation of the devices. Sony cannot assume responsibility for any problems arising out of the use of these circuits.

Pin Assignment in Piggyback Mode



**Note)** NC (Pin 73) is always connected to VDD.

Pin Assignment in Evaluator Mode

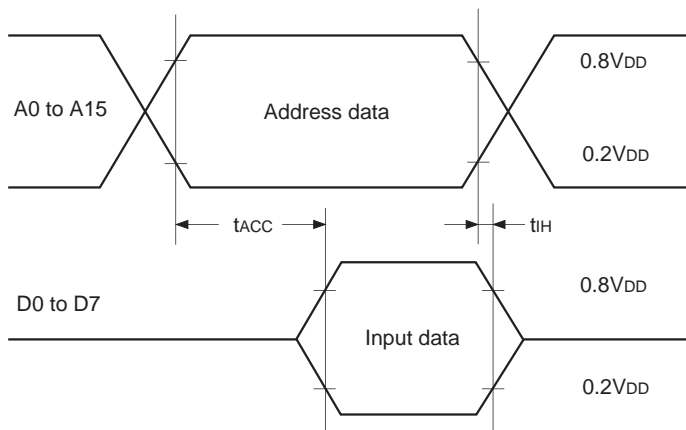


**Note)** NC (Pin 73) is always connected to VDD.

**EPROM Read Timing**

( $T_a = -20$  to  $+75^\circ\text{C}$ ,  $V_{cc} = 4.5$  to  $5.5\text{V}$ ,  $V_{ss} = 0\text{V}$  reference)

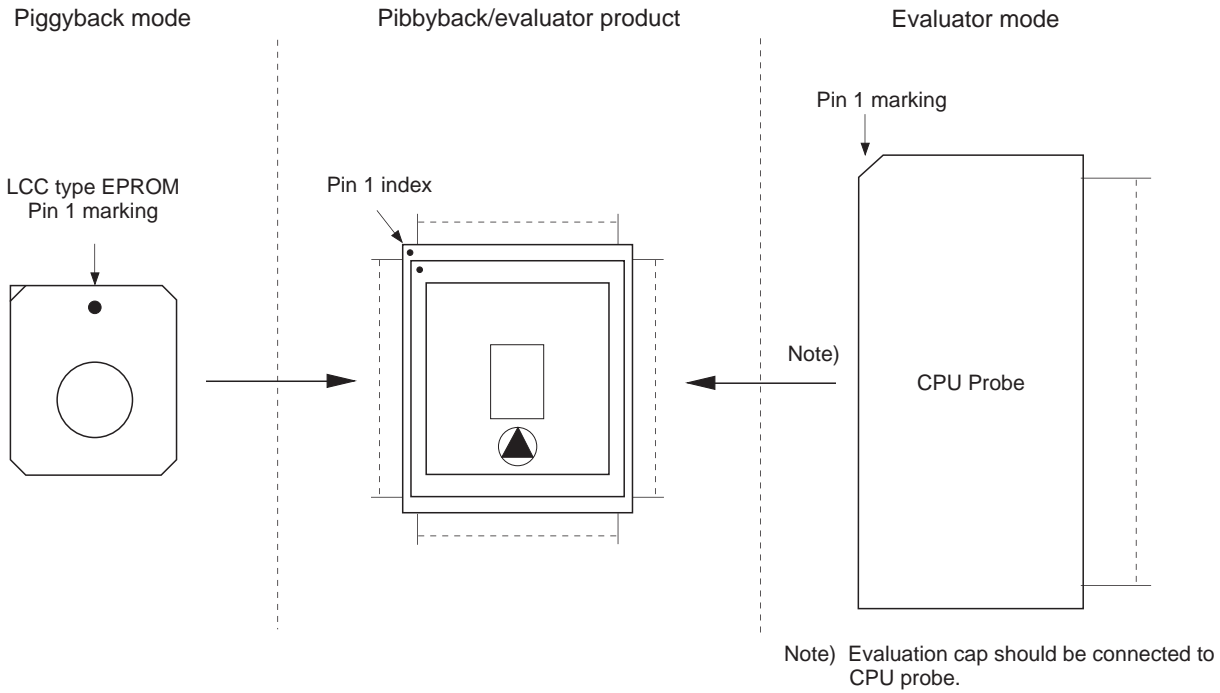
Item	Symbol	Pins	Min.	Max.	Unit
Address → Data Input delay time	$t_{ACC}$	A0 to A15 D0 to D7		120	ns
Address → Data Hold time	$t_{IH}$	A0 to A15 D0 to D7	0		ns



**Products List**

Option item	Products		
	Mask		Piggyback/evaluator
	CXP84332	CXP84340	CXP84300-U01Q
Package	80-pin plastic QFP		80-pin ceramic PQFP
ROM capacitance	32K bytes	40K bytes	EPROM 40K bytes
Pull-up resistance for reset pin	Existent/Non-existent		Existent
Power-on reset circuit	Non-existent		Non-existent

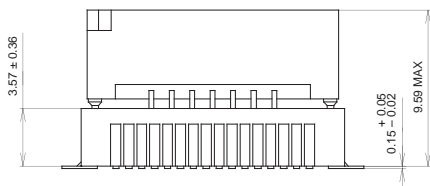
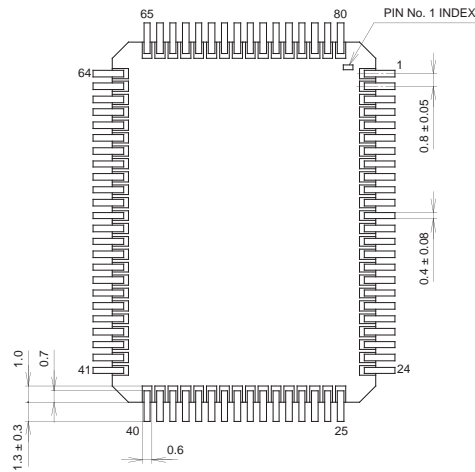
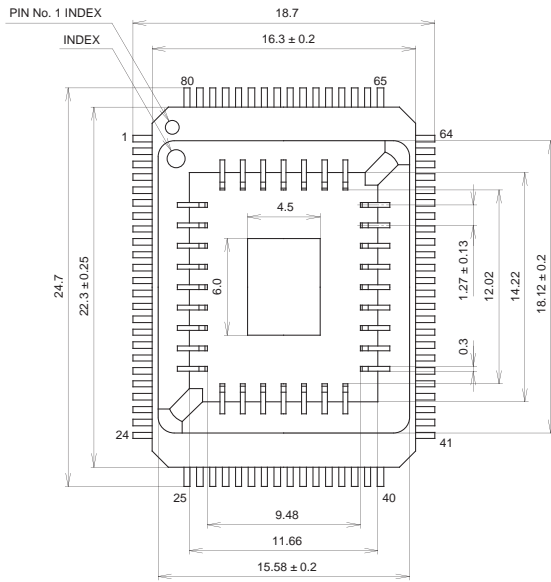
Piggyback mode/evaluator mode can be switched as shown below.



Package Outline

Unit: mm

80PIN PQFP (CERAMIC)



PACKAGE STRUCTURE

PACKAGE MATERIAL	CERAMIC
LEAD TREATMENT	GOLD PLATING
LEAD MATERIAL	42 ALLOY
PACKAGE WEIGHT	5.7g

SONY CODE	PQFP-80C-L01
EIAJ CODE	AQFP080-C-0000-A
JEDEC CODE	