

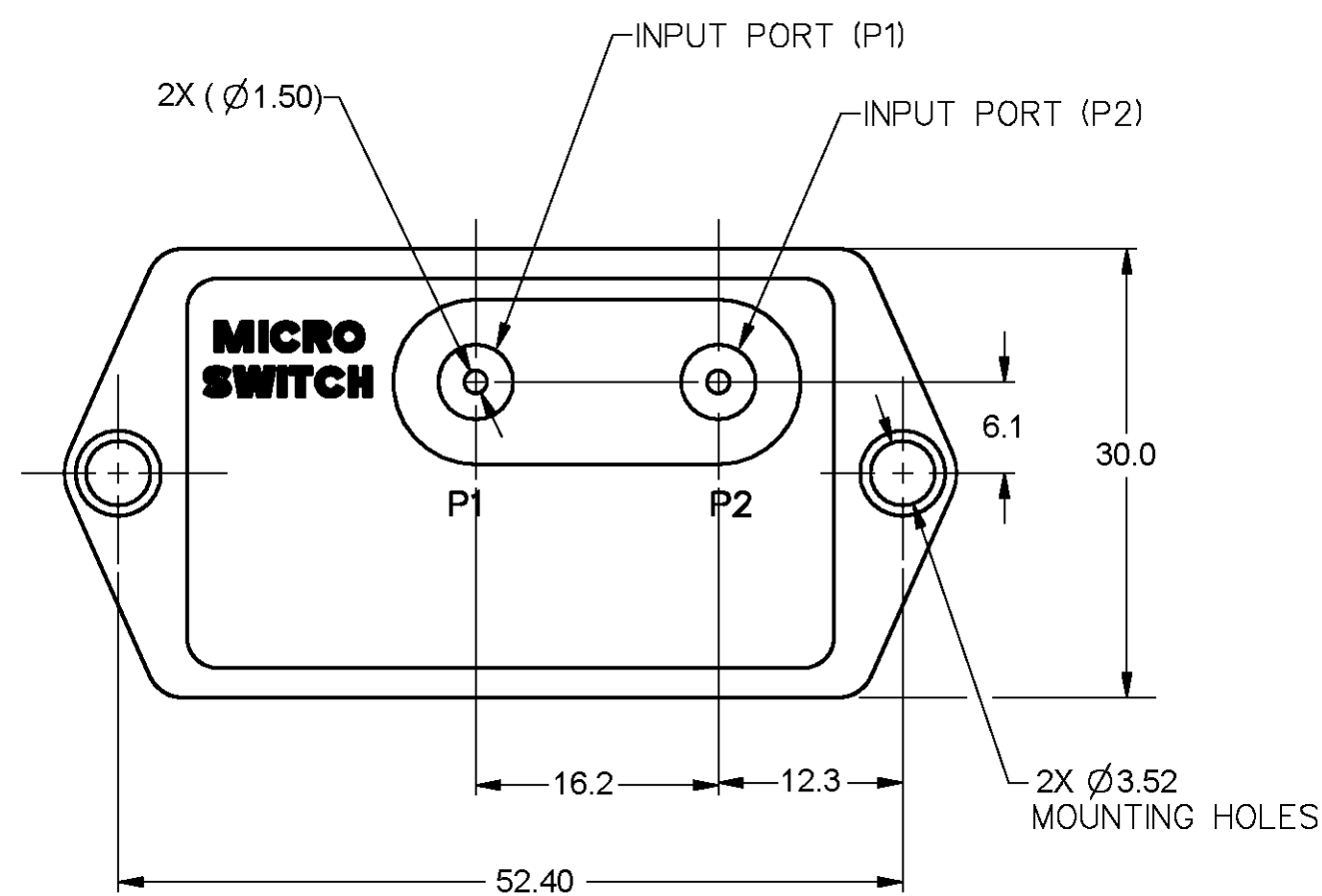
- NOTES
- 1 - INPUT MEDIA:
P1 - DRY GASES ONLY: CONNECTION SIDE OF SENSOR
P2 - LIMITED ONLY TO THOSE MEDIA THAT WILL NOT ATTACK POLYESTER, SILICON OR SILICONE BASED ADHESIVE
 - 2 - TERMINALS ARE PLATED FOR SOLDERING
 - 3 - LIMIT SOLDERING TO 315°C MAX FOR 10 SECONDS MAX
 - 4 - UNITS ARE OF PLASTIC CONSTRUCTION
 - 5 - SPAN = 55" H₂O
 - 6 - PRESSURE TRANSDUCER IS USED IN P1 < P2 CONFIGURATION

GENERAL OPERATING CHARACTERISTICS

PRESSURE RANGE	-39 TO 55" H ₂ O
OVERPRESSURE	1035 mmHg (20 PSI)
TEMPERATURE RANGES	
STORAGE	-55°C TO +125°C
OPERATING	-40°C TO +85°C
COMPENSATED	0°C TO +65°C
SUPPLY VOLTAGE	7 TO 16 Vdc
SUPPLY CURRENT	20mA MAX WITH 10K LOAD
OUTPUT VOLTAGE	PROPORTIONAL TO SUPPLY VOLTAGE OVER ABOVE RECOMMENDED RANGE
SHORT CIRCUIT LIMIT	MAY BE SHORTED INDEFINITELY
OUTPUT RIPPLE	NONE
GROUND REFERENCE	SUPPLY AND OUTPUT ARE COMMON
RATIOMETRICITY ERROR	
7V TO 8V OR 8V TO 9V	±.5% SPAN (TYP)
9V TO 12V	±2.00% SPAN (TYP)
STABILITY OVER 1 YEAR	±.50% SPAN (TYP)

ELECTRICAL PERFORMANCE AT 25°C AND 10.00±.01 Vdc SUPPLY

OUTPUT VOLTAGE	
MINIMUM SCALE (-39" H ₂ O)	1.0275±.0950 Vdc (TYP)
NULL (0" H ₂ O)	3.916±.070 Vdc
FULL SCALE (55" H ₂ O)	7.991±.070 Vdc (TYP)
SPAN (0 TO 55" H ₂ O)	4.075±.070 Vdc
SENSITIVITY	74.08±2.54 mV/"H ₂ O (TYP)
LINEARITY (0 TO 55" H ₂ O)	.625% SPAN MAX
(-39 TO 0" H ₂ O)	.625% SPAN MAX
TEMPERATURE ERROR OVER 0 TO +65°C	
NULL SHIFT	1.0% SPAN MAX
SPAN SHIFT	1.0% SPAN MAX
COMBINED SHIFT	2.0% SPAN MAX
HYSTERESIS & REPEATABILITY	.25% SPAN (TYP)



TYPE "D" (DIFFERENTIAL)

METRIC	INCH
0.4	.016
0.25	.010
0.51	.020
1.0	.039
1.5	.04
2.5	.099
3.52	.139
5.00	.197
5.08	.200
6.1	.240
7.1	.280
10.0	.39
12.3	.484
12.6	.496
16.2	.64
17.9	.70
18.5	.73
30.0	1.18
52.40	2.06
59.8	2.35

THIRD ANGLE PROJECTION

SCALE 2 : 1

DO NOT SCALE PRINT

UNLESS OTHERWISE SPECIFIED TOLERANCES ARE

NO PLACE	(0)	±1 mm
ONE PLACE	(0.0)	±0.4 mm
TWO PLACE	(0.00)	±0.15 mm
ANGLES		±

WEIGHT 31 GRAMS

THIS DRAWING COVERS A PROPRIETARY ITEM AND IS THE PROPERTY OF MICRO SWITCH, A DIVISION OF HONEYWELL. THIS DRAWING IS NOT TO BE COPIED OR USED WITHOUT THE APPROVAL OF MICRO SWITCH.

MICRO SWITCH
a Honeywell Division

CATALOG LISTING
142PC05D97

PRESSURE TRANSDUCER

WEIGHT 31 GRAMS

MASTER REDUCED
ANSI Y14.5M-1982 APPLIES

DRAWING NUMBER 142PC05D97
 ISSUE 5
 PAGE 1 OF 1
 RELEASE NO. PR-20202
 REPLACES
 REVISIONS
 A 001 177
 8 MAR 95
 B COB4688
 29 SEP 97
 C CO-95394
 DLM
 7 FEB 00
 D 0064547
 NR
 18 MAY 10
 CHECK K A G 15DEC94
 CHECK RS
 19 MAY 10
 FORMTEK
 DRAWN
 J A K 15DEC94