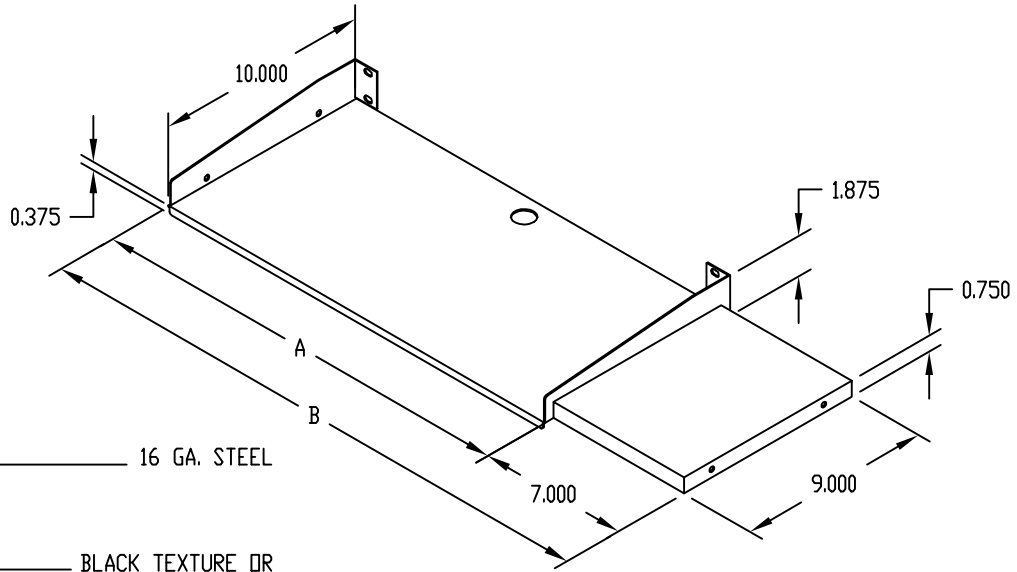


PART NAME

KEYBOARD AND MOUSE SHELF ASSEMBLY

PART No.

SA-1775 AND SA-1776



**MATERIAL:**

KEYBOARD SHELF AND MOUSE PAD \_\_\_\_\_ 16 GA. STEEL

**FINISH:**

KEYBOARD SHELF AND MOUSE PAD \_\_\_\_\_ BLACK TEXTURE OR METALLIC GRAY

LOAD RATING: 25 LBS. MAX.

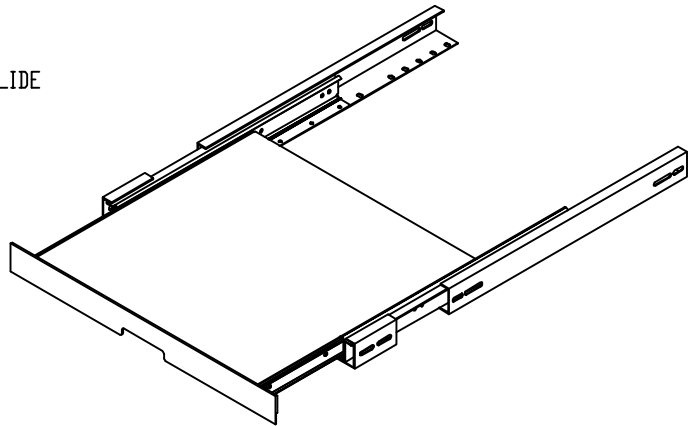
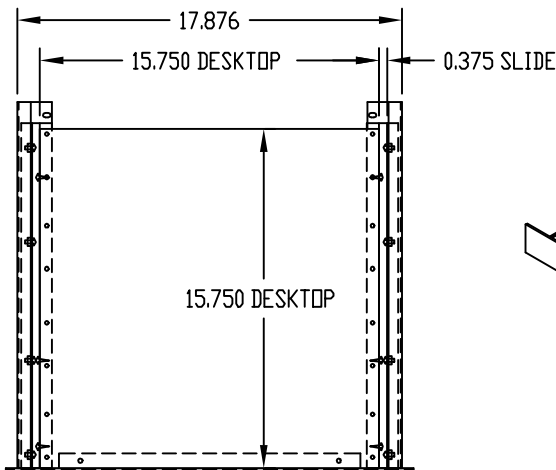
PART No.	PANEL SPACE	A	B
SA-1775	19.000	20.125	27.125
SA-1776	23.000	24.125	31.125

PART NAME

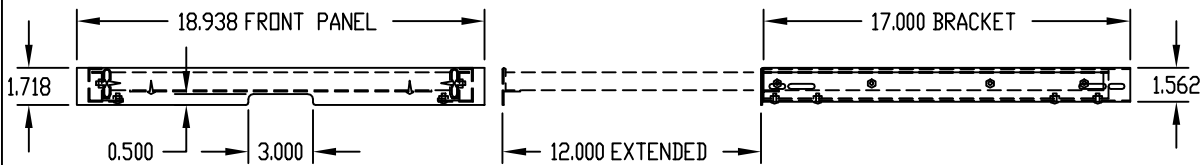
SLIDING DESKTOP

PART No.

60-2361



LOAD RATING: 50 LBS. MAX.



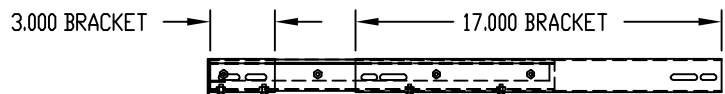
**MATERIAL:**

PANEL AND BRACKETS \_\_\_\_\_ 16 GA. STEEL  
TOP \_\_\_\_\_ 3/4" THK. PLASTIC LAMINATE  
FACED PARTICLE BOARD

**FINISH:**

PANEL \_\_\_\_\_ METALLIC GRAY  
\_\_\_\_\_ WHITE TEXTURE  
\_\_\_\_\_ BLACK TEXTURE  
BRACKETS \_\_\_\_\_ SMOOTH BLACK  
TOP \_\_\_\_\_ ANTIQUE WHITE  
SLIDES \_\_\_\_\_ BRIGHT ZINC PLATE

MOUNTING IN 17.000 CLEAR  
INSIDE DEPTH RACK



MOUNTING IN 20.500, 24.000 AND 29.250  
CLEAR INSIDE DEPTH RACK