

AN6855T

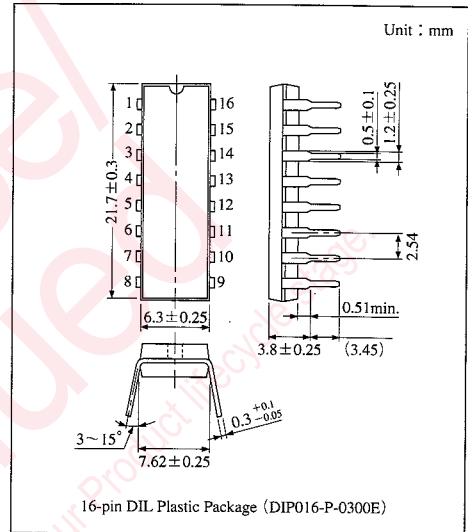
High-Speed 4-bit A/D Converter

Overview

The AN6855T is a high-speed and low power dissipation 4-bit monolithic IC (A/D converter parallel type) and is suitable for high-speed data conversion and computer input data conversion such as digitizer of video band signal.

Features

- 4-bit resolution (with overflow pin attached)
- High speed maximum conversion speed 20MSPS
- Sample and hold circuits are not necessary
- Input dynamic range is 2V
- Low power dissipation : 170mW typ
- Digital outputs are TTL compatible



Main Characteristics ($V_{EE} = -6.0V$, $V_{CC} = 5.0V$, $T_a = -20$ to $+70^\circ C$)

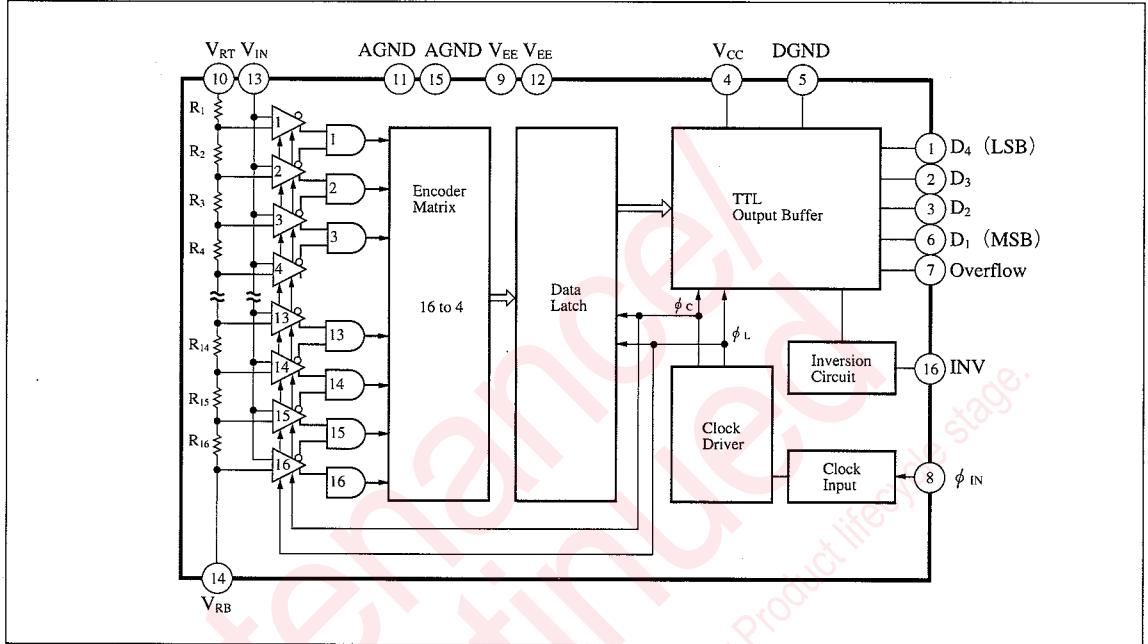
Parameter	Symbol	Condition	Value	Unit
Resolution	RES		4	bit
Input dynamic range	$V_{i(max)}$		2	V
Linearity error	LE	$V_{in} = 2V_{P-P}$	$\pm \frac{1}{4}$	LSB
Max conversion speed	$f_{MSPS(max)}$		20	MSPS

Pin Descriptions

Pin No.	Pin name	Pin No.	Pin name
1	Digital output LSB	9	Negative supply voltage
2	Digital output 3-bit	10	Reference high level
3	Digital output 2-bit	11	Analog ground
4	Supply voltage	12	Negative supply voltage
5	Digital ground	13	Analog input
6	Digital output MSB	14	Reference low level
7	Overflow output	15	Analog ground
8	Clock input	16	Output signal reversal control

A/D
and D/A
Converters

■ Block Diagram



■ Absolute Maximum Ratings (T_a = 25°C)

Parameter	Symbol	Rating	Unit
Supply voltage	V _{CC}	-0.3 to +5.5	V
Supply voltage	V _{EE}	-6.6 to +0.3	V
Analog input voltage	V _i	V _{EE} to +0.3	V
Digital input voltage	V _φ	-0.3 to V _{CC}	V
Reference voltage	V _{REF}	V _{EE} to +0.3	V
Power dissipation	P _D	540	mW
Operating ambient temperature	T _{opr}	-20 to +70	°C
Storage temperature	T _{stg}	-40 to +150	°C

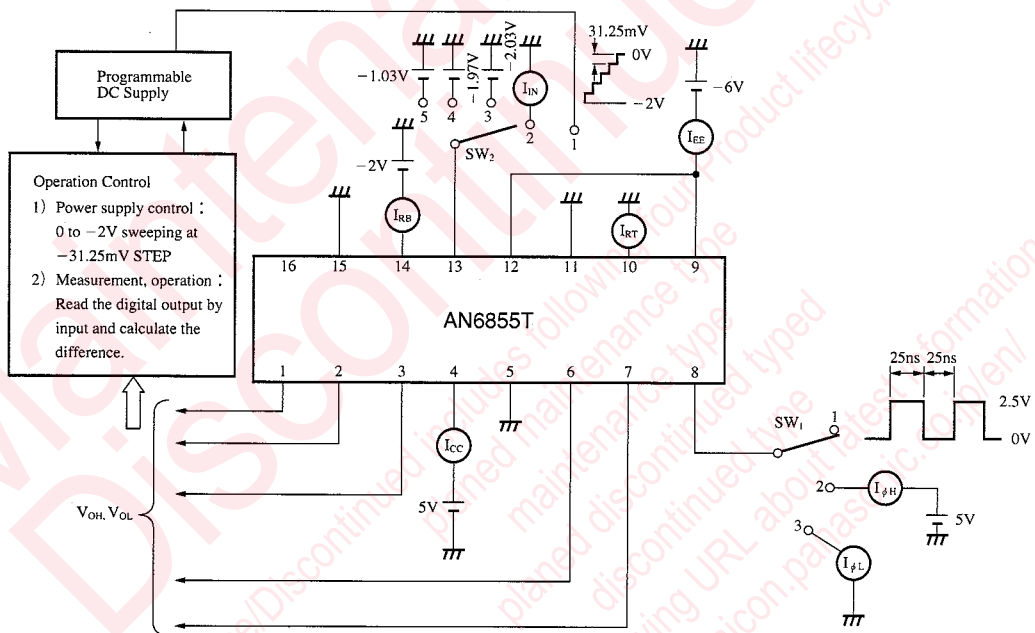
■ Recommended Operating Conditions

Parameter	Symbol	min	typ	max	Unit
Supply voltage	V _{CC}	4.5	5	5.5	V
	V _{EE}	-6.6	-6	-5.4	V
Reference voltage	V _{RT}	-0.1	0	+0.1	V
	V _{RB}	-2.1	-2	-1.9	V
Analog input voltage	V _i	-2.1	—	+0.1	V
Digital input voltage	V _{φH}	2.5	—	5	V
	V _{φL}	0	—	0.4	V
Digital output current	I _{OH}	-2	—	—	mA
Clock input pulse width (Clock input)	τ _H	25	—	—	ns
	τ _L	25	—	—	ns

■ Electrical Characteristics (Ta=25°C)

Parameter	Symbol	Condition	min	typ	max	Unit
Supply current	I_{CC}	$V_{CC}=5V, V_{EE}=-6V$	10	20	30	mA
	I_{EE}		11	17	23	mA
Reference resistance current	$I_{Bias(RT)}$	$V_{RT}=0V, V_{RB}=-2V$	0.8	1.5	2.1	mA
	$I_{Bias(RB)}$		-2.1	-1.5	-0.8	mA
Input bias current	I_{Bias}	$V_{CC}=5V, V_{EE}=-6V$	1.5	6	15	μA
Clock input current	$I_{\phi H}$	$V_{CC}=5V, V_{EE}=-6V$	0.3	0.7	2.4	mA
	$I_{\phi L}$		-1.4	-0.9	-0.6	mA
Digital output voltage	V_{OH}	$V_{CC}=5V, V_{EE}=-6V, I_{OH}=-2mA$	2.5	3.5	5.0	V
	V_{OL}	$V_{CC}=5V, V_{EE}=-6V, I_{OL}=-2mA$	—	—	0.4	V
Linearity error	LE		—	—	$\pm 1/4$	LSB

Test Circuit

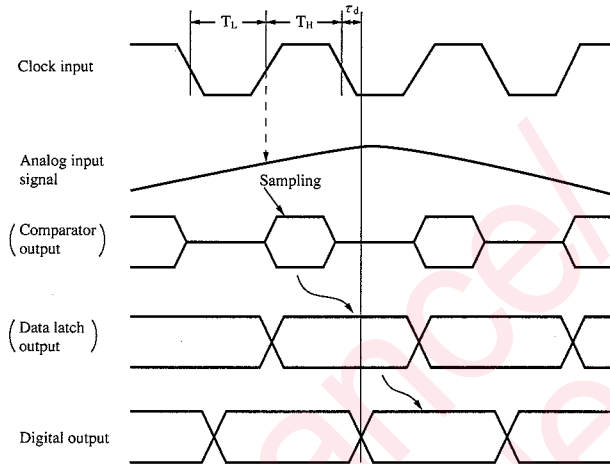


Test Conditions Table

Parameter	Specified item	SW ₁	SW ₂
Supply current	I_{CC}	1	5
	I_{EE}	1	5
Reference resistance current	$I_{Bias(RT)}$	1	5
	$I_{Bias(RB)}$	1	5
Input bias current	I_{Bias}	1	2
Clock input current	$I_{\phi H}$	2	3
	$I_{\phi L}$	3	3
Digital output voltage	V_{OH}	1	4
		$V_{OH(2)}$	1
	V_{OL}	1	2
Linearity error	LE	1	1

A/D and D/A Converters

■ Sampling Timing Chart



Note) Because the comparator output and data latch output are internal signals, the external pin is not provided.

■ Output Code Table

Comparator No.	Comparator threshold voltage Input 2.000VFS 0.125Vstep	Digital output								
		INV = "High" or Open (Pin⑩)				INV = "Low" (Pin⑩)				
		Over Flow	M	L	Over Flow	M	L			
01	-0.125	0	0	0	0	0	1	1	1	1
02	-0.250	0	0	0	0	1	1	1	1	0
03	-0.375	0	0	0	1	0	1	1	0	1
04	-0.500	0	0	0	1	1	1	1	0	0
05	-0.625	0	0	1	0	0	1	1	0	1
06	-0.750	0	0	1	1	0	1	1	0	0
07	-0.875	0	0	1	1	1	1	1	0	0
08	-1.000	0	1	0	0	0	1	0	1	1
09	-1.125	0	1	0	0	1	1	0	1	0
10	-1.250	0	1	0	1	0	1	0	1	0
11	-1.375	0	1	0	1	0	1	0	1	0
12	-1.500	0	1	0	1	1	1	0	0	0
13	-1.625	0	1	1	0	0	1	0	0	1
14	-1.750	0	1	1	0	1	1	0	0	1
15	-1.875	0	1	1	1	0	1	0	0	0
16	-2.000	1	0	0	0	0	0	1	1	1

Request for your special attention and precautions in using the technical information and semiconductors described in this book

- (1) If any of the products or technical information described in this book is to be exported or provided to non-residents, the laws and regulations of the exporting country, especially, those with regard to security export control, must be observed.
- (2) The technical information described in this book is intended only to show the main characteristics and application circuit examples of the products. No license is granted in and to any intellectual property right or other right owned by Panasonic Corporation or any other company. Therefore, no responsibility is assumed by our company as to the infringement upon any such right owned by any other company which may arise as a result of the use of technical information described in this book.
- (3) The products described in this book are intended to be used for standard applications or general electronic equipment (such as office equipment, communications equipment, measuring instruments and household appliances).
Consult our sales staff in advance for information on the following applications:
 - Special applications (such as for airplanes, aerospace, automobiles, traffic control equipment, combustion equipment, life support systems and safety devices) in which exceptional quality and reliability are required, or if the failure or malfunction of the products may directly jeopardize life or harm the human body.
 - Any applications other than the standard applications intended.
- (4) The products and product specifications described in this book are subject to change without notice for modification and/or improvement. At the final stage of your design, purchasing, or use of the products, therefore, ask for the most up-to-date Product Standards in advance to make sure that the latest specifications satisfy your requirements.
- (5) When designing your equipment, comply with the range of absolute maximum rating and the guaranteed operating conditions (operating power supply voltage and operating environment etc.). Especially, please be careful not to exceed the range of absolute maximum rating on the transient state, such as power-on, power-off and mode-switching. Otherwise, we will not be liable for any defect which may arise later in your equipment.
 - Even when the products are used within the guaranteed values, take into the consideration of incidence of break down and failure mode, possible to occur to semiconductor products. Measures on the systems such as redundant design, arresting the spread of fire or preventing glitch are recommended in order to prevent physical injury, fire, social damages, for example, by using the products.
- (6) Comply with the instructions for use in order to prevent breakdown and characteristics change due to external factors (ESD, EOS, thermal stress and mechanical stress) at the time of handling, mounting or at customer's process. When using products for which damp-proof packing is required, satisfy the conditions, such as shelf life and the elapsed time since first opening the packages.
- (7) This book may be not reprinted or reproduced whether wholly or partially, without the prior written permission of our company.