



PARA LIGHT ELECTRONICS CO., LTD.
4F, No.1, Lane 93, Chien Yi Road, Chung Ho City, Taipei, Taiwan
Tel: 886-2-2225-3733 Fax: 886-2-2225-4800
E-mail: para@para.com.tw <http://www.para.com.tw>

DATA SHEET

PART NO. : L-C195KGJYCT

REV : A / 0

CUSTOMER'S APPROVAL : _____ DCC : _____

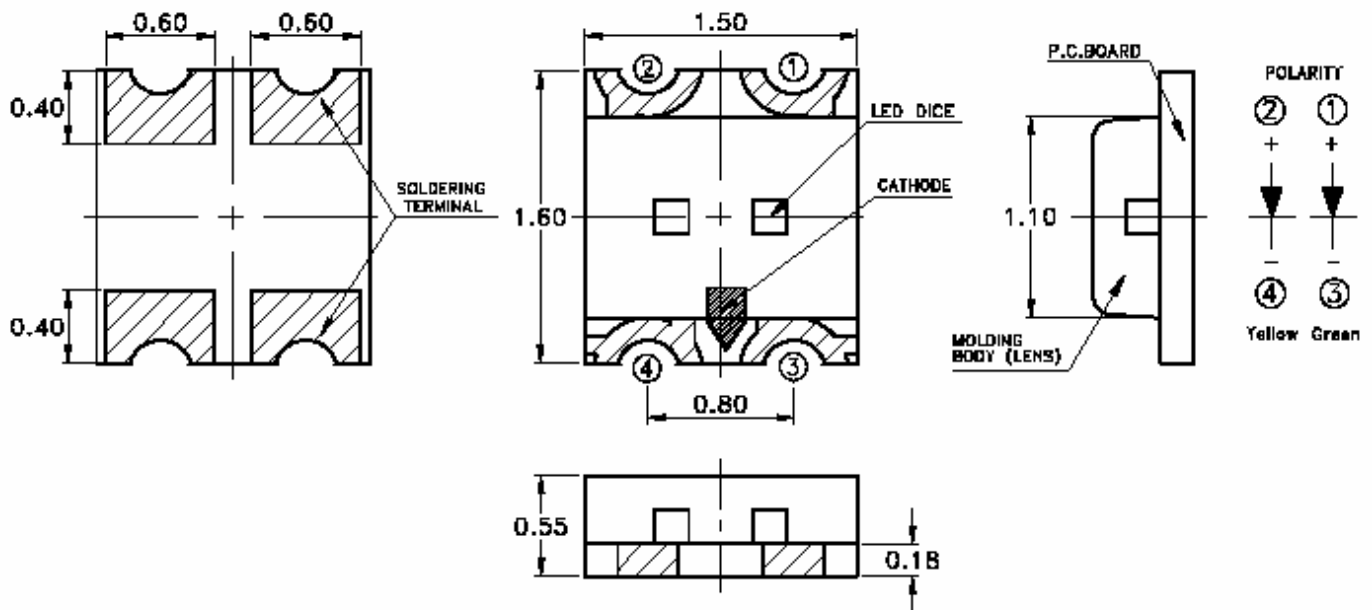


Dome Lens Chip LED

L-C195KGJYCT

REV:A / 0

PACKAGE DIMENSIONS



Note:

1. All Dimensions are in millimeters (inches)
2. Tolerance is $\pm 0.10\text{mm}$ (0.004 ") Unless otherwise specified.



Dome Lens Chip LED

L-C195KGJYCT

REV:A / 0

FEATURES

- * LOW POWER CONSUMPTION
- * I.C. COMPATIBLE
- * LONGLIFE SOLID STATE RELIABILITY

CHIP MATERIALS

- * Dice Material : AlInGaP / AlInGaP
- * Light Color : Green & Yellow
- * Lens Color : WATER CLEAR

ABSOLUTE MAXIMUM RATING : (Ta = 25°C)

SYMBOL	PARAMETER	Green	Yellow	UNIT
PD	Power Dissipation	75	75	mW
If	Forward Current	30	30	mA
Ifp	Peak pulsing current (1/10 duty cycle 0.1ms)	80	80	mA
VR	Reverse Voltage	5		V
Topr	Operating Temperature Range	-55 ~ + 85		
Tstg	Storage Temperature Range	-55 ~ + 85		

ELECTRO-OPTICAL CHARACTERISTICS : (Ta = 25°C)

SYMBOL	PARAMETER	TEST CONDITION	VALUE			UNIT
			MIN.	TYP.	MAX.	
VF	Forward Voltage	IF = 20mA	Green	2.0	2.4	V
			Yellow	2.0	2.4	
IR	Reverse Current	VR = 5V			10	μA
Δλ	Spectral Line Half-Width	IF = 20mA	Green	15		nm
			Yellow	15		
λp	Peak Emission Wavelength	IF = 20mA	Green	574		nm
			Yellow	591		
λD	Dominant Wavelength	IF = 20mA	Green	571		nm
			Yellow	589		
2θ1/2	Half Intensity Angle	IF = 20mA		130		deg
Iv	Luminous Intensity	IF = 20mA	Green	18	35	mcd
			Yellow	28	75	



Dome Lens Chip LED

L-C195KGJYCT

REV:A / 0

Typical Electro-Optical Characteristics Curves

(25 Ambient Temperature Unless Otherwise Noted)

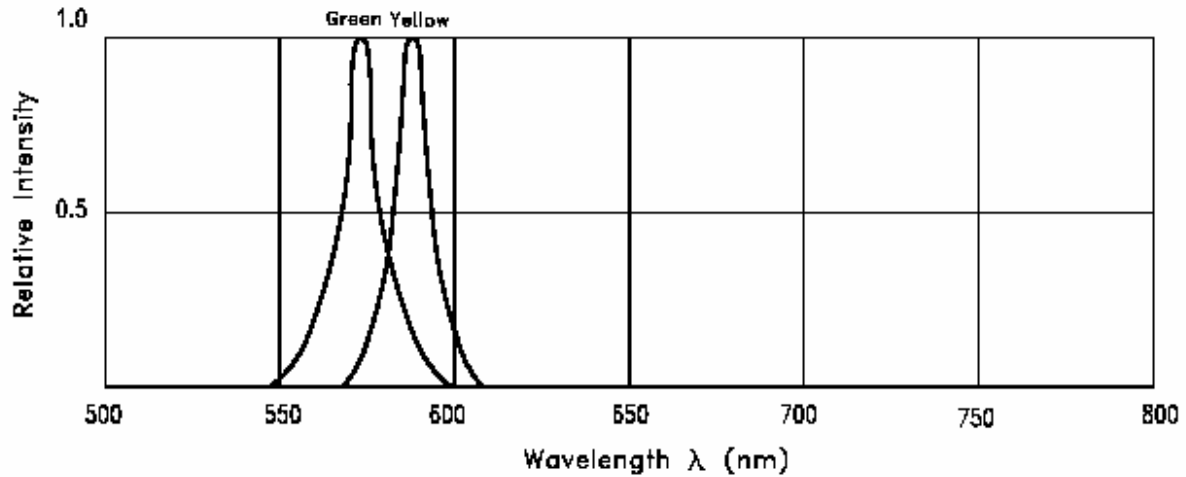


Fig.1 RELATIVE INTENSITY VS. WAVELENGTH

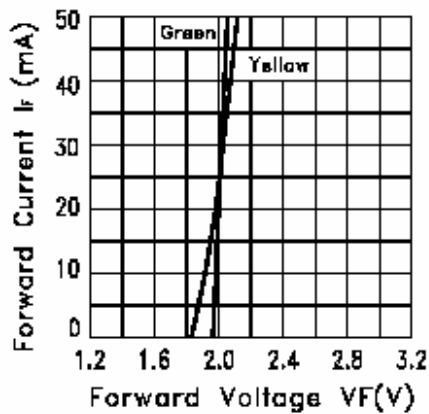


Fig.2 FORWARD CURRENT VS. FORWARD VOLTAGE

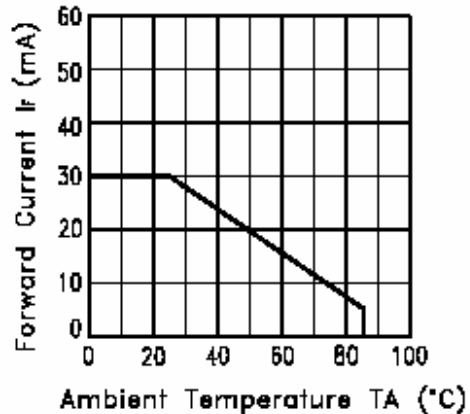


Fig.3 FORWARD CURRENT DERATING CURVE

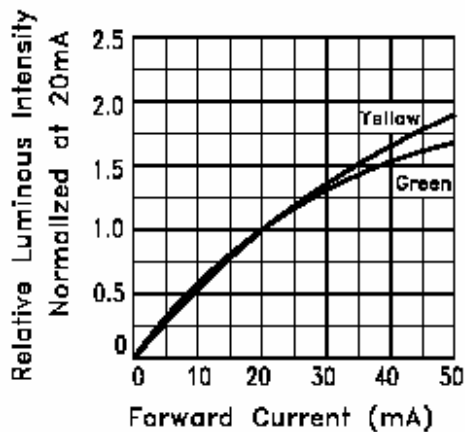


Fig.4 RELATIVE LUMINOUS INTENSITY VS. FORWARD CURRENT

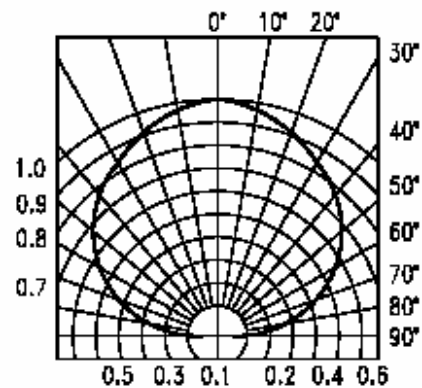


Fig.6 SPATIAL DISTRIBUTION



Dome Lens Chip LED

L-C195KGJYCT

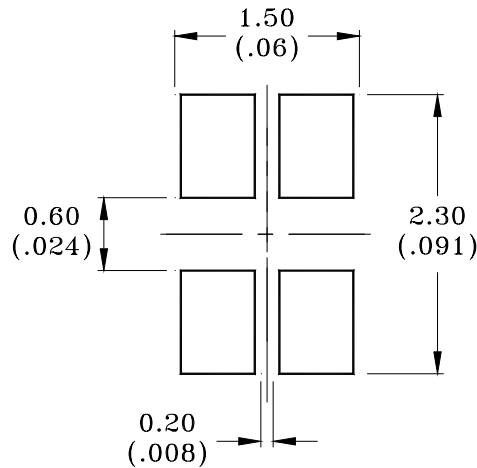
REV:A / 0

Cleaning

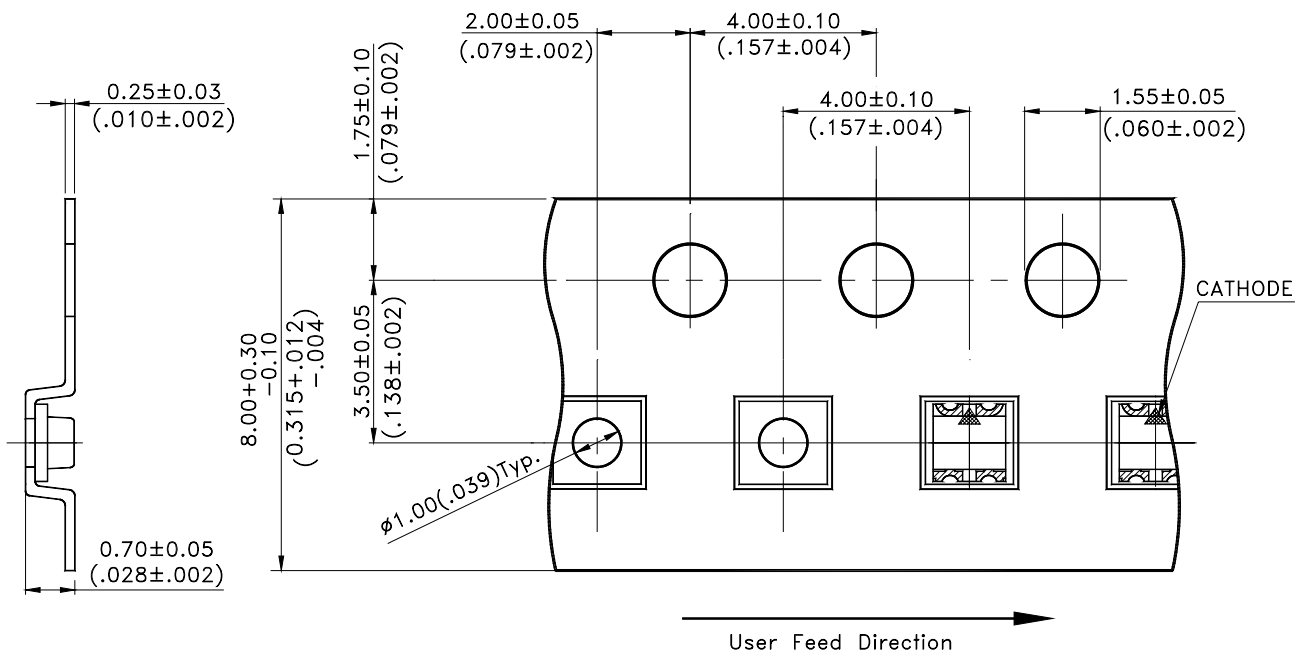
Do not use unspecified chemical liquid to clean LED they could harm the package.

If clean is necessary, immerse the LED in ethyl alcohol or in isopropyl alcohol at normal temperature for less one minute.

Suggest Soldering Pad Dimensions



Package Dimensions Of Tape And Reel



Notes:

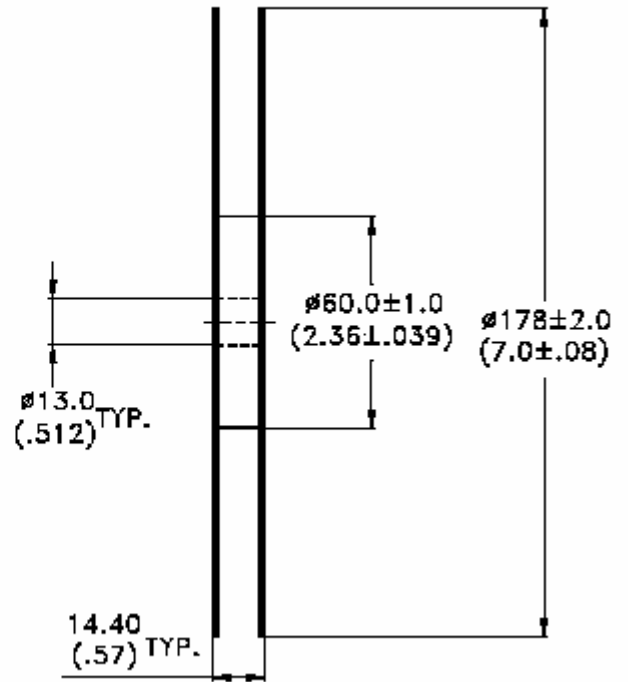
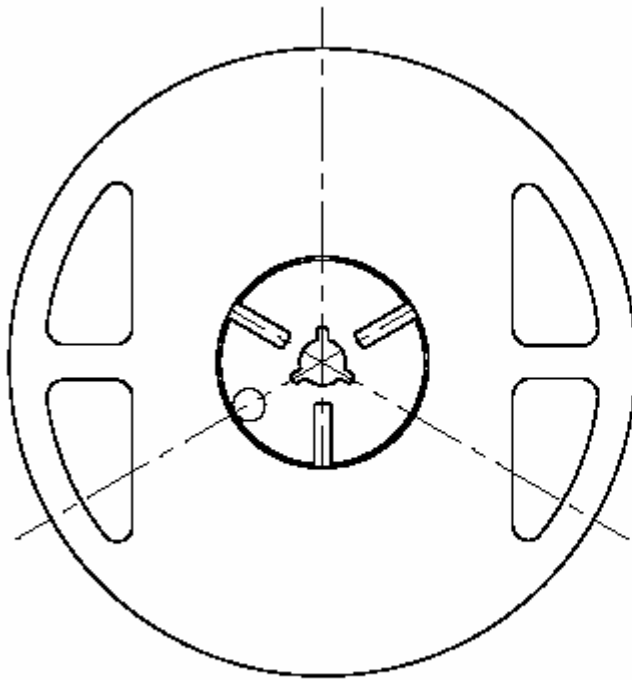
1. All dimensions are in millimeters (inches).



Dome Lens Chip LED

L-C195KGJYCT

REV:A / 0



Notes:

1. Empty component pockets sealed with top cover tape.
2. 7 inch reel-4000 pieces per reel.
3. The maximum number of consecutive missing lamps is two.
4. In accordance with ANSI/EIA 481-1-A-1994 specifications.



Dome Lens Chip LED

L-C195KGJYCT

REV:A / 0

Bin Code List

Luminous Intensity		Color : <u>Green</u> , Unit : mcd @20mA	
Bin Code	Min.	Max.	
M	18.0	28.0	
N	28.0	45.0	
P	45.0	71.0	
Q	71.0	112.0	

Tolerance on each Intensity bin is +/-15%

Luminous Intensity		Color : <u>Yellow</u> , Unit : mcd @20mA	
Bin Code	Min.	Max.	
N	28.0	45.0	
P	45.0	71.0	
Q	71.0	112.0	
R	112.0	180.0	

Tolerance on each Intensity bin is +/-15%

Dominant Wavelength		Color : <u>Green</u> , Unit : mcd @20mA	
Bin Code	Min.	Max.	
C	567.5	570.5	
D	570.5	573.5	
E	573.5	576.5	

Tolerance for each Dominate Wavelength bin is +/- 1nm