

PRODUCT SPECIFICATION

Part Number
PLH0402-WDG42

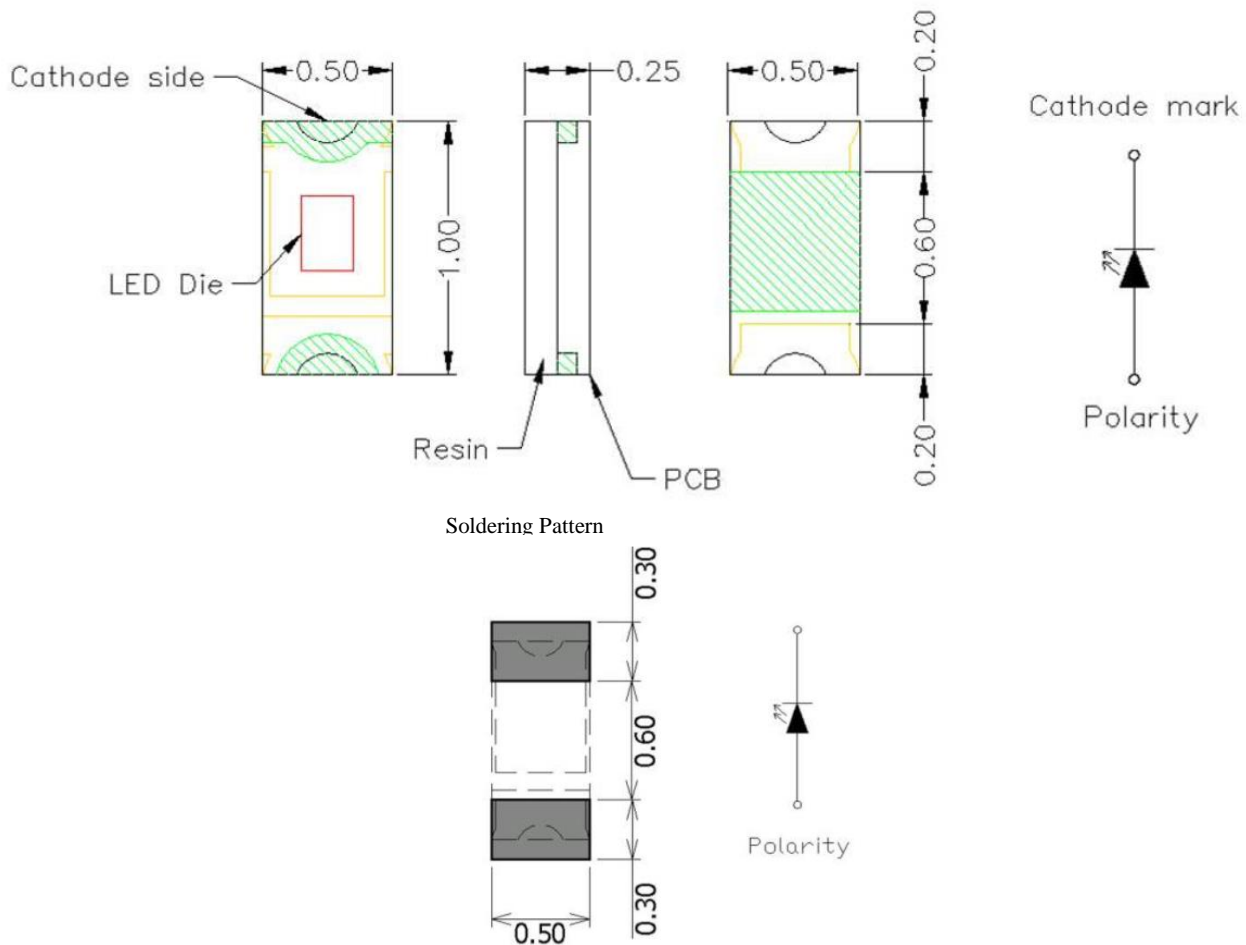
Details

- 0402 SMD LED
- 1.0 x 0.50 x 0.25 mm
- AlInGaP chip material, Pure Green
- Packaged on 3,000 piece reels

Features

- Durable and Rugged
- RoHS Compliant
- Thin design

Mechanical Dimensions



Notes:

1. Dimensions in millimeters unless otherwise noted
2. Tolerance is ± 0.1 mm unless otherwise noted.
3. Specifications subject to change without notice





Device Selection Guide

Model Number	Chip		Resin
	Material	Emitting Color	
PLH0402-WDG42	AlInGaP	Pure Green	Clear

Absolute Maximum Ratings at Ta=25°C

P _d (mW)	I _F (mA)	I _{FP} * (mA)	V _R (V)	T _{OP} (°C)	T _{ST} (°C)
48	20	40	5	-40°C~+85°C	-40°C~+100°C

Note: 1. Condition for I_{FP} is pulse of 1/10 duty and 0.1msec width

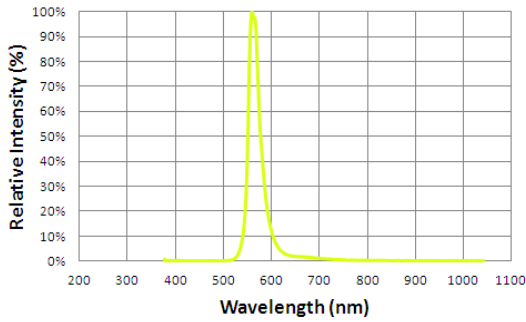
2. This product should be operated in forward bias. If a reverse voltage is continuously applied to the product, such operation can cause migration resulting in LED damage.

Electrical and Optical Characteristics at Ta=25°C

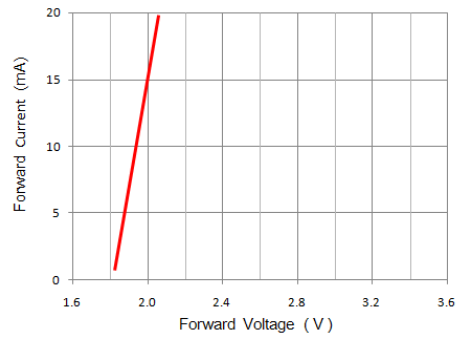
I _F (mA)	V _F (V)		Wavelength (nm) typ.			I _V * (mcd)	Viewing Angle 2θ½
	Typ.	Max.	λ _D	λ _P	Δλ	Typ.	
20	2.0	2.6	562	561	15	11.25	X: 100 Y: 130

Electrical and Optical Curves

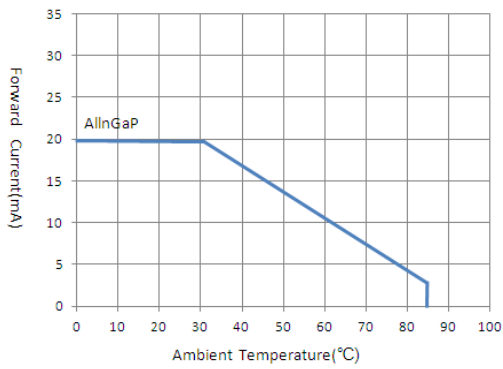
Relative Intensity VS. Wavelength



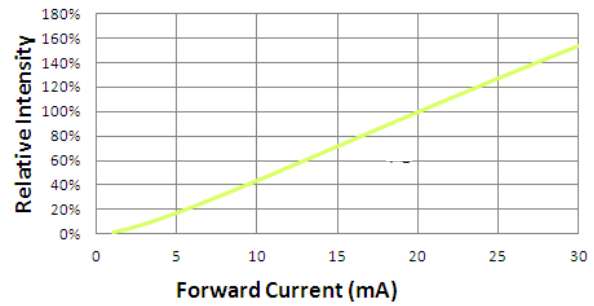
Forward Voltage vs. Forward Current



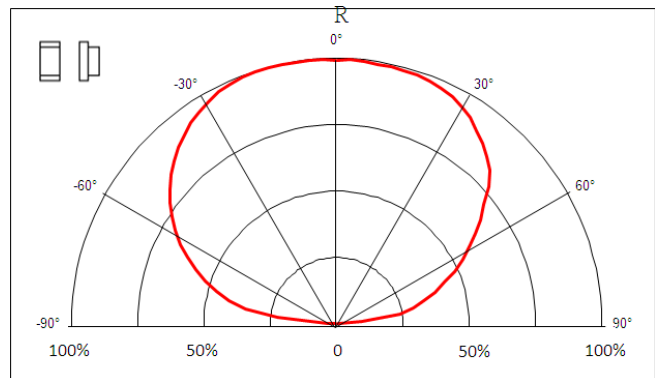
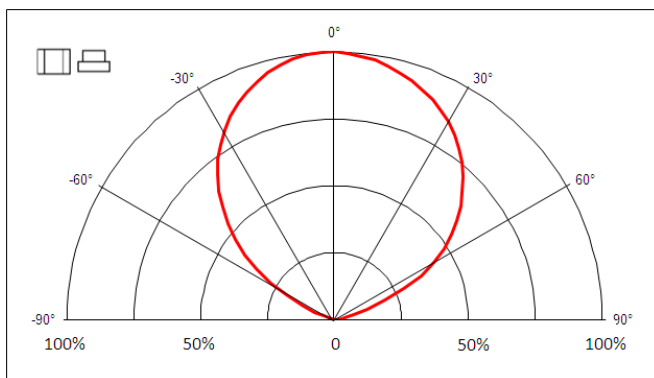
Forward Current VS. Ambient Temperature



Relative Intensity vs. Forward Current



Directive Characteristics



Luminous Intensity (I_v) Bin

Bin	Luminous Intensity Range (mcd)	
	Minimum	Maximum
K	7.15	11.25
L	11.25	18.0
M	18.0	28.5

Note: @20mA / $T_a=25^{\circ}C$, Tolerance: $\pm 10\%$

Dominant Wavelength (λ_D) Bin:

Color	Bin Code	Spec. Range
Pure Green (G42)	D2	557-558.5 nm
	E	558.5-561.5 nm
	F	561.5-564.5 nm
	G	564.5-567.5 nm
	H	567.5-569.0 nm

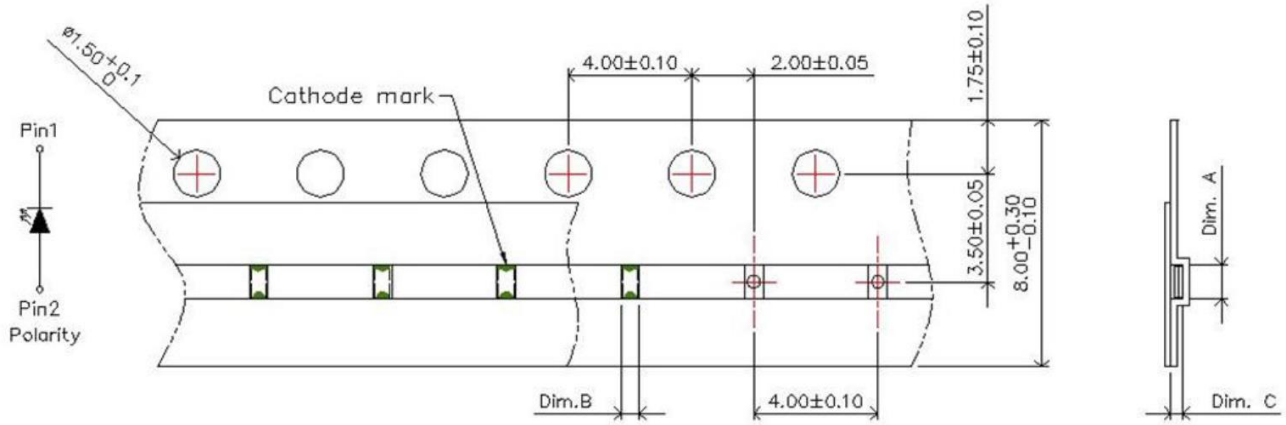
Note: @20mA / $T_a=25^{\circ}C$, Tolerance: $\pm 0.5nm$

Forward Voltage (V_F) Bin:

Color	Bin Code	Spec. Range
Pure Green (G42)	E18	1.6-2.4V

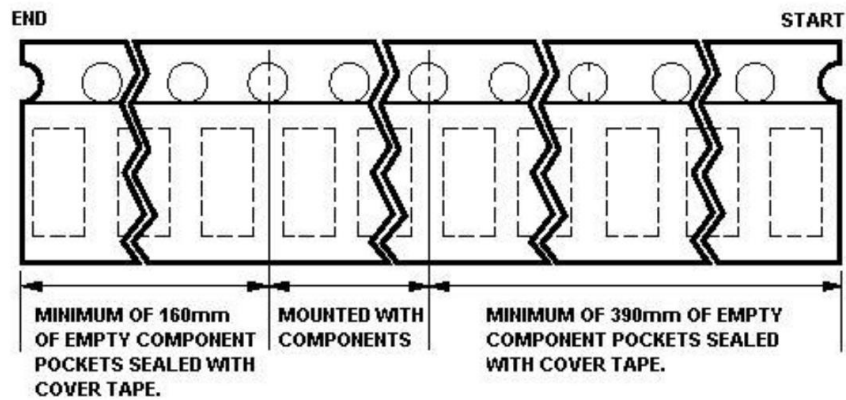
Note: @20mA / $T_a=25^{\circ}C$, Tolerance: $\pm 0.05 V$

Tape Dimensions

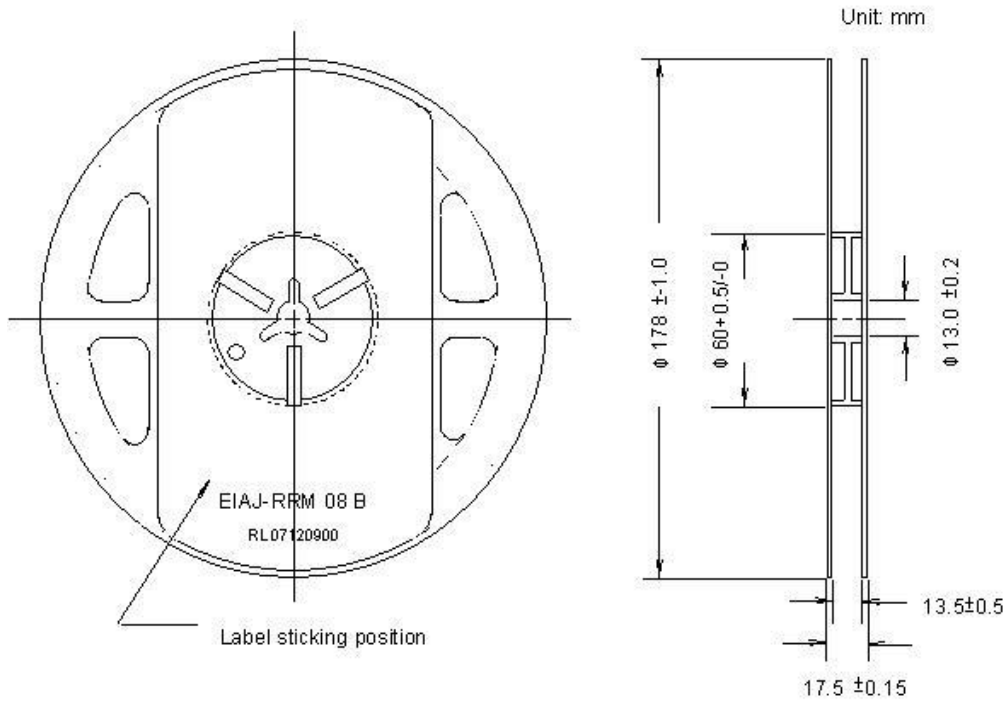


Dim. A	Dim. B	Dim. C	Q'ty/Reel
1.11±0.03	0.60±0.03	0.38±0.03	3K

Unit: mm



Reel Specifications





PLH0402-WDG42 Customer Approval Signatures	Approved By	Checked By	Prepared By

<i>Record Of Revisions</i>			
Rev.	Description	Date	Page
0	Released Spec	08/11/15	--