

PRODUCT SPECIFICATION

Part Number
PLH0402-WDG17

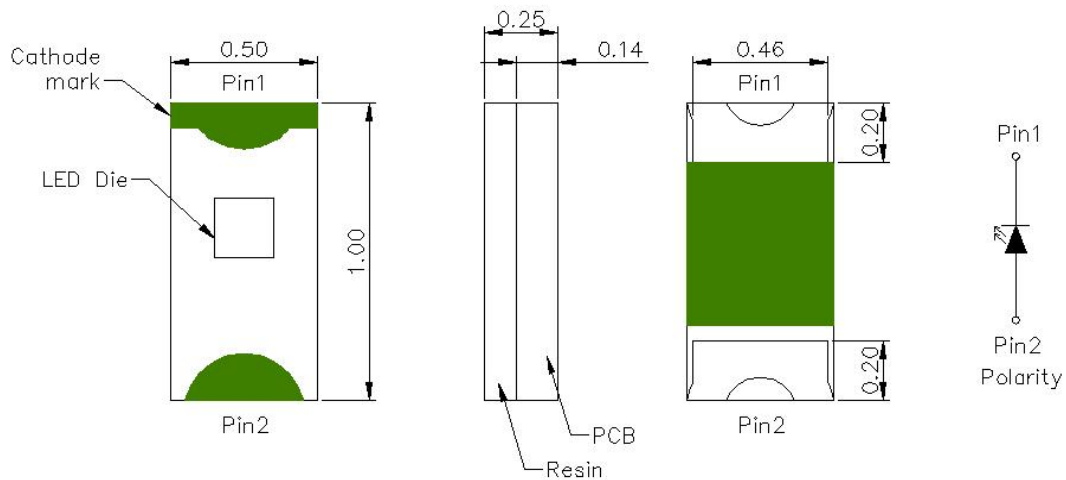
Details

- 0402 SMD LED
- 1.0 x 0.50 x 0.25 mm
- AlInGaP chip material, Yellow-Green
- Packaged on 3,000 piece reels

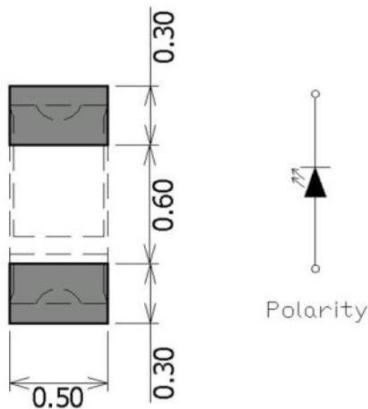
Features

- Durable and Rugged
- RoHS Compliant
- Thin design

Mechanical Dimensions



Soldering Pattern



Notes:

1. Dimensions in millimeters unless otherwise noted
2. Tolerance is ± 0.1 mm unless otherwise noted.
3. Specifications subject to change without notice





Device Selection Guide

Model Number	Chip		Resin
	Material	Emitting Color	
PLH0402-WDG17	AlInGaP	Yellow Green	Diffused

Absolute Maximum Ratings at Ta=25°C

P _d (mW)	I _F (mA)	I _{FP} * (mA)	V _R (V)	T _{OP} (°C)	T _{ST} (°C)
48	20	40	5	-40°C~+85°C	-40°C~+100°C

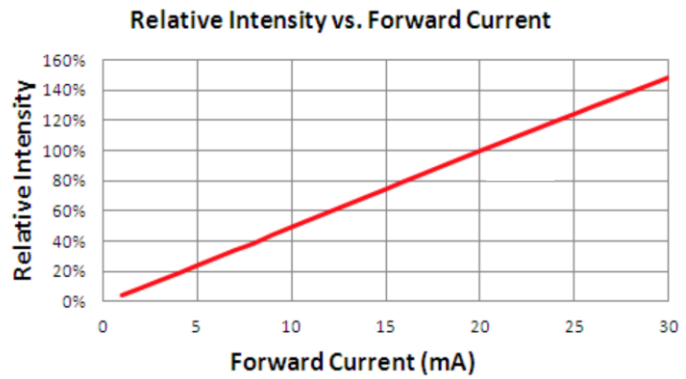
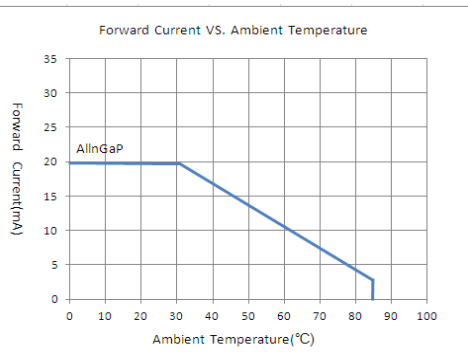
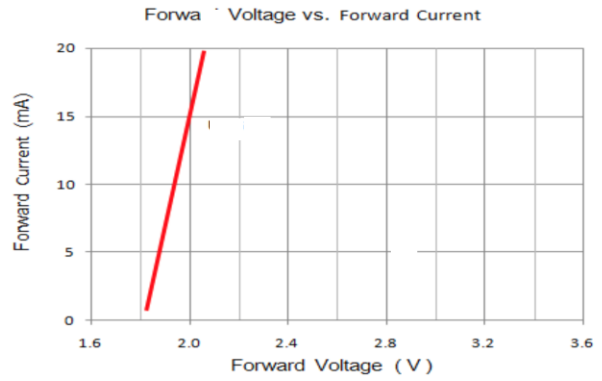
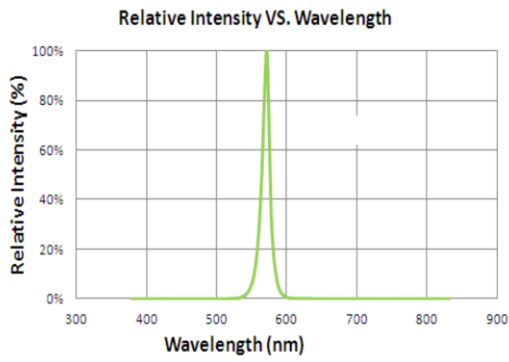
Note: 1. Condition for IFP is pulse of 1/10 duty and 0.1msec width

2. This product should be operated in forward bias. If a reverse voltage is continuously applied to the product, such operation can cause migration resulting in LED damage.

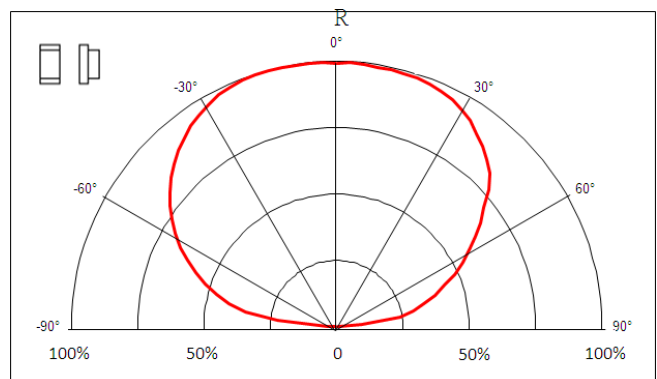
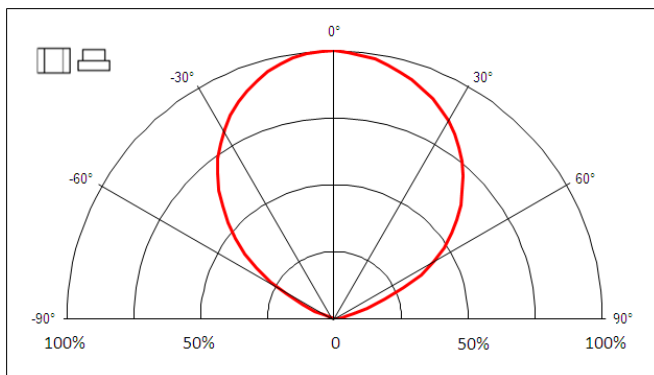
Electrical and Optical Characteristics at Ta=25°C

I _F (mA)	V _F (V)		Wavelength (nm) typ.			I _V * (mcd)	Viewing Angle 2θ½
	Typ.	Max.	λ _D	λ _P	Δλ	Typ.	
20	2.0	2.1	571	573	15	45.0	X: 100 Y: 130

Electrical and Optical Curves



Directive Characteristics



Luminous Intensity (I_v) Bin

Bin	Luminous Intensity Range (mcd)	
	Minimum	Maximum
M	18.0	28.5
N	28.5	45.0
P	45.0	71.5
Q	71.5	112.5
R	112.5	180.0

Note: @20mA / $T_a=25^\circ\text{C}$, Tolerance: $\pm 10\%$

Dominant Wavelength (λ_D) Bin:

Color	Bin Code	Spec. Range
Yellow Green (G17)	C	567.5-570.5 nm
	D	570.5-573.5 nm
	E	573.5-576.5 nm
	F	576.5-579.5 nm

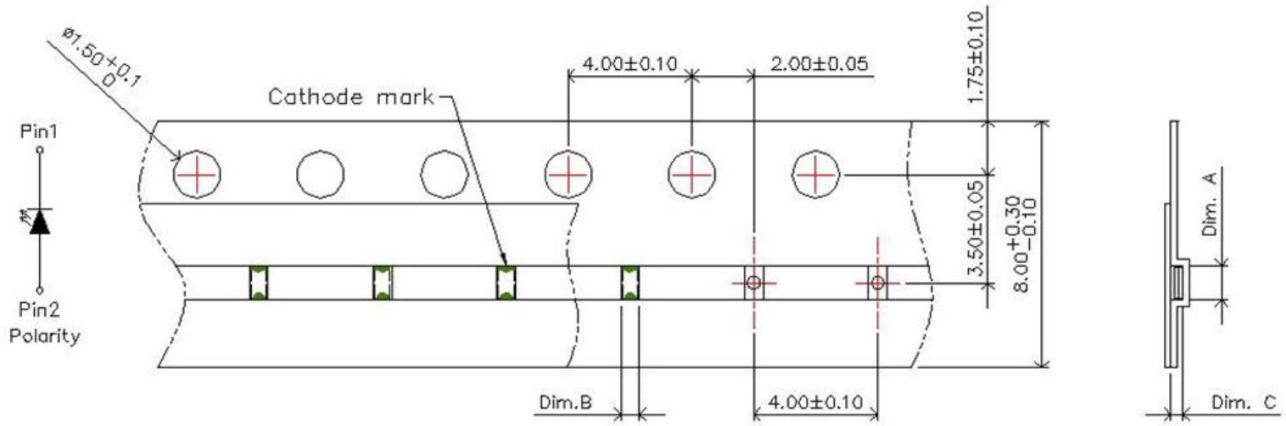
Note: @20mA / $T_a=25^\circ\text{C}$, Tolerance: $\pm 0.5\text{nm}$

Forward Voltage (V_F) Bin:

Color	Bin Code	Spec. Range
Yellow Green (UYG)	E18	1.6-2.4 V

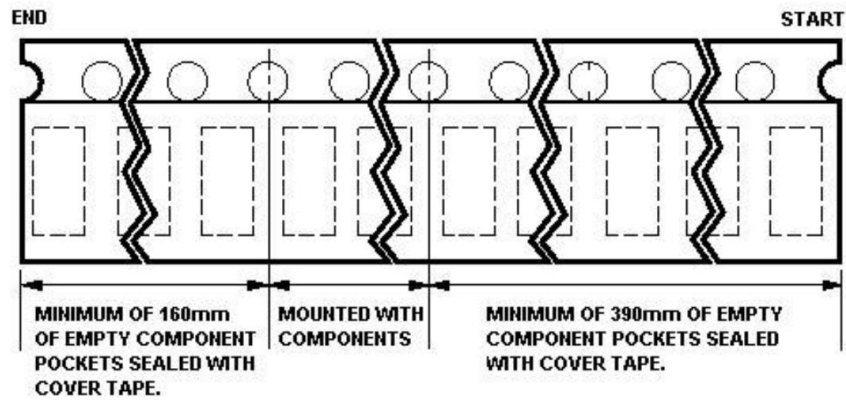
Note: @20mA / $T_a=25^\circ\text{C}$, Tolerance: $\pm 0.05\text{V}$

Tape Dimensions

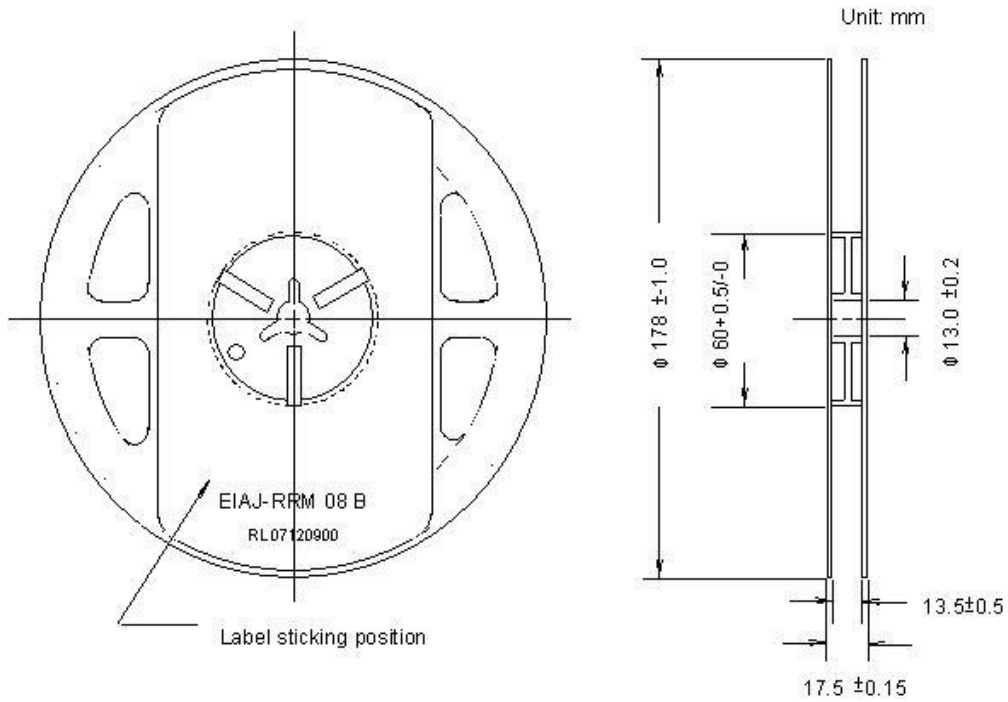


Dim. A	Dim. B	Dim. C	Q'ty/Reel
1.11 ± 0.03	0.60 ± 0.03	0.38 ± 0.03	3K

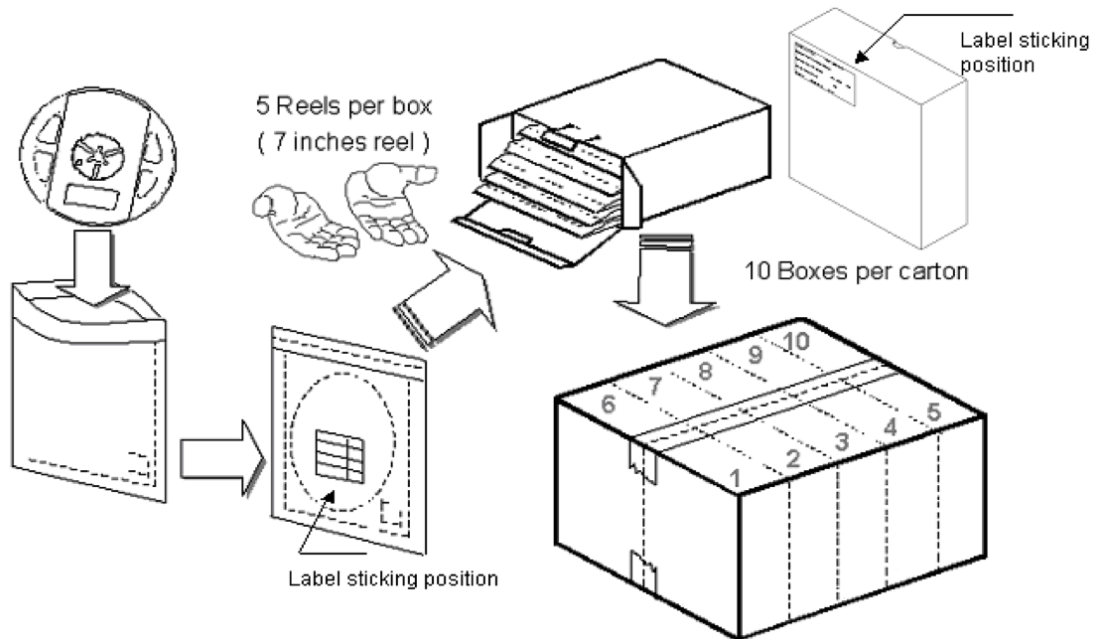
Unit: mm



Reel Specifications



Packing





PLH0402-WDG17 Customer Approval Signatures	Approved By	Checked By	Prepared By

<i>Record Of Revisions</i>			
Rev.	Description	Date	Page
0	Released Spec	08/24/15	--