

6+5+4 Channels PMU

Features

- 2.5V ~ 5.5V Input Voltage Operation.
- 95% Efficient DC/DC Converter
- Built-in 6-ch synchronous buck converter, 5-ch LDOs, and 4-ch power switches.
- Low Power consumption (Sleep Mode) < 10 μ A.
- Built-In Power ON/OFF Sequence for PMU.
- Built-In Short Circuit Protection (SCP), Under Voltage Protection (UVP), and cycle-by cycle current limit for DC/DC Converters.
- Built-In Thermal Shutdown Function..
- TQFN40 Package (5mmx5mm).
-

General Description

The G2218 provide a complete power supply solution. On-chip MOSFETs provide up to 92~95% efficiency for critical power supplies. All channels DC/DC operate at one fixed frequency of 1.5MHz to optimize size, cost, and efficiency. All Synchronous converters operate at pulse skipping mode at light load.

Applications

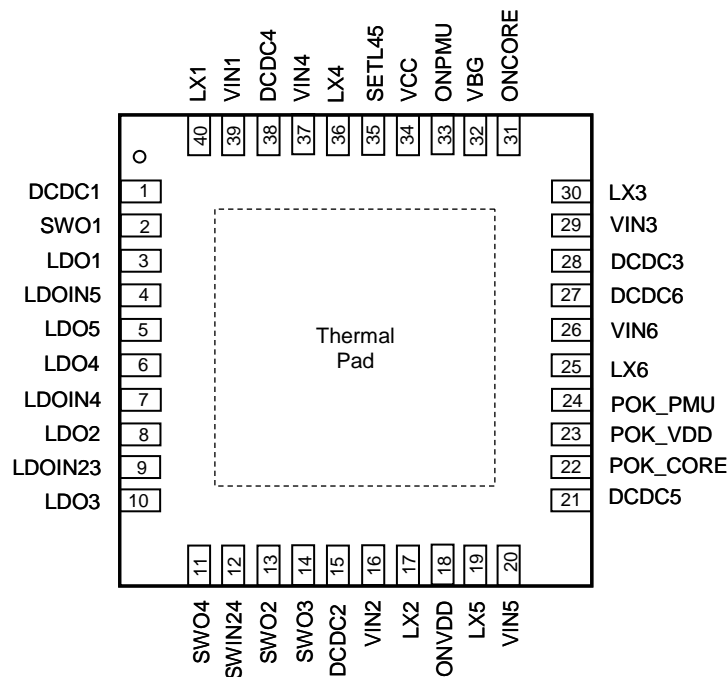
- Tablet PC

Ordering Information

ORDER NUMBER	MARKING	TEMP. RANGE	PACKAGE (Green)
G2218RG1U	2218	-35°C~+85°C	TQFN5X5-40

Note: RG:TQFN5x5-40
1: Bonding code
U: Tape & Reel

Pin Configuration



G2218 TQFN5X5-40

Note: Recommend connecting the Thermal Pad to the Ground for excellent power dissipation.