



ON Semiconductor®

<http://onsemi.com>

LB1980H

Monolithic Digital IC For VCR Capstan Motors 3-Phase Brushless Motor Driver

Overview

The LB1980JH is a 3-phase brushless motor driver that is particularly appropriate for VCR capstan motor drivers.

Functions

- 3-phase full-wave drive
- Built-in torque ripple correction circuit (variable correction ratio)
- Current limiter circuit
- Upper and lower side output stage over-saturation prevention circuit that does not require external capacitors.
- FG amplifier
- Thermal shutdown circuit

Specifications

Absolute Maximum Ratings at $T_a = 25^\circ\text{C}$

Parameter	Symbol	Conditions	Ratings	Unit
Maximum supply voltage	V_{CC} max		7	V
	V_S max		24	V
Maximum output current	I_O max		1.3	A
Allowable power dissipation	P_d max	Mounted on a board *	1.81	W
		Independent IC	0.77	W
Operating temperature	T_{opr}		-20 to 75	$^\circ\text{C}$
Storage temperature	T_{stg}		-55 to +150	$^\circ\text{C}$

* Mounted on a 76.1mm×114.3mm×1.6mm, glass epoxy printed circuit board.

Stresses exceeding Maximum Ratings may damage the device. Maximum Ratings are stress ratings only. Functional operation above the Recommended Operating Conditions is not implied. Extended exposure to stresses above the Recommended Operating Conditions may affect device reliability.

LB1980H

Allowable Operating Ranges at $T_a = 25^\circ\text{C}$

Parameter	Symbol	Conditions	Ratings	Unit
Supply voltage	V_S		5 to 22	V
	V_{CC}		4.5 to 5.5	V
Hall input amplitude	V_{HALL}	Between the hall inputs	± 30 to ± 80	mV _{o-p}
GSENSE pin input range	V_{GSENSE}	With respect to the control system ground	-0.20 to +0.20	V

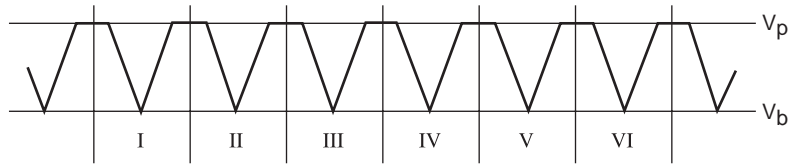
Electrical Characteristics at $T_a = 25^\circ\text{C}$, $V_{CC} = 5\text{V}$, $V_S = 15\text{V}$

Parameter	Symbol	Conditions	Ratings			Unit
			min	typ	max	
V_{CC} supply current	I_{CC}	$R_L = \infty$, $V_{CTL} = 0\text{V}$, $V_{LIM} = 0\text{V}$ (Quiescent)		12	18	mA
Outputs						
Output saturation voltage	VO sat1	$I_O = 500\text{mA}$, $R_f = 0.5\Omega$, Sink+Source $V_{CTL} = V_{LIM} = 5\text{V}$ (With saturation prevention)		2.1	2.6	V
	VO sat2	$I_O = 1.0\text{mA}$, $R_f = 0.5\Omega$, Sink+Source $V_{CTL} = V_{LIM} = 5\text{V}$ (With saturation prevention)		2.6	3.5	V
Output leakage current	I_O leak				1.0	mA
FR						
FR pin input threshold voltage	V_{FSR}		2.25	2.50	2.75	V
FR pin input bias current	$I_B(\text{FSR})$		-5.0			mA
Control						
CTLREF pin voltage	V_{CREF}		2.05	2.15	2.25	V
CTLREF pin input range	V_{CREFIN}		1.50		3.50	V
CTL pin input bias current	$I_B(\text{CTL})$	With $V_{CTL} = 5\text{V}$ and the CTLREF pin open			4.0	μA
CTL pin control start voltage	$V_{CTL}(\text{ST})$	With $R_f = 0.5\Omega$, $V_{LIM} = 5\text{V}$, $I_O \geq 10\text{mA}$, Hall input logic fixed (U, V, W=H, H, L)	2.00	2.15	2.30	V
CTL pin control Gm	Gm(CTL)	With $R_f = 0.5\Omega$, $\Delta I_O = 200\text{mA}$, Hall input logic fixed (U, V, W=H, H, L)	0.46	0.58	0.70	A / V
Current Limiter						
LIM current limit offset voltage	Voff(LIM)	With $R_f = 0.5\Omega$, $V_{CTL} = 5\text{V}$, $I_O \geq 10\text{mA}$, Hall input logic fixed (U, V, W=H, H, L)	140	200	260	mV
LIM pin input bias current	$I_B(\text{LIM})$	With $V_{CTL} = 5\text{V}$ and the V_{CREF} pin open	-2.5			μA
LIM pin current control level	I_{LIM}	With $R_f = 0.5\Omega$, $V_{CTL} = 5\text{V}$, $V_{LIM} = 2.06\text{V}$ Hall input logic fixed (U, V, W=H, H, L)	830	900	970	mA
Hall Amplifier						
Hall amplifier input offset voltage	Voff(HALL)		-6		+6	mA
Hall amplifier input bias current	$I_B(\text{HALL})$			1.0	3.0	μA
Hall amplifier common-mode input voltage range	$V_{CM}(\text{HALL})$			1.3	3.3	V
TRC						
Torque ripple correction ratio	TRC	For the high and low peaks in the Rf waveform when $I_O = 200\text{mA}$. ($R_f = 0.5\Omega$, with the ADJ pin open) *1		9		%
ADJ pin voltage	V_{ADJ}		2.37	2.50	2.63	V
FG Amplifier						
FG amplifier input offset voltage	Voff(FG)		-8		+8	mV
FG amplifier input bias current	$I_B(\text{FG})$		-100			nA
FG amplifier output saturation voltage	V_O sat (FG)	Sink side, for the load provided by the internal pull-up resistor			0.5	V
FG amplifier voltage gain	$V_G(\text{FG})$	For the open loop state with $f = 10\text{kHz}$	41.5	44.5	47.5	dB
FG amplifier common-mode input voltage	$V_{GM}(\text{FG})$		0.5		4.0	V
Saturation						
Saturation prevention circuit lower side voltage setting	VO sat(DET)	The voltages between each OUT and Rf pair when $I_O = 10\text{mA}$, $R_f = 0.5\Omega$, and $V_{CTL} = V_{LIM} = 5\text{V}$	0.175	0.25	0.325	V
TSD						
TSD operating temperature	TSD	Design target value *2		180		$^\circ\text{C}$
Hysteresis width	ΔTSD	Design target value *2		20		$^\circ\text{C}$

Notes : *1. The torque ripple correction ratio is determined as follows from the Rf voltage waveform.

*2. Parameters that are indicated as design target values in the conditions column are not tested.

LB1980H



For each Hall logic setting

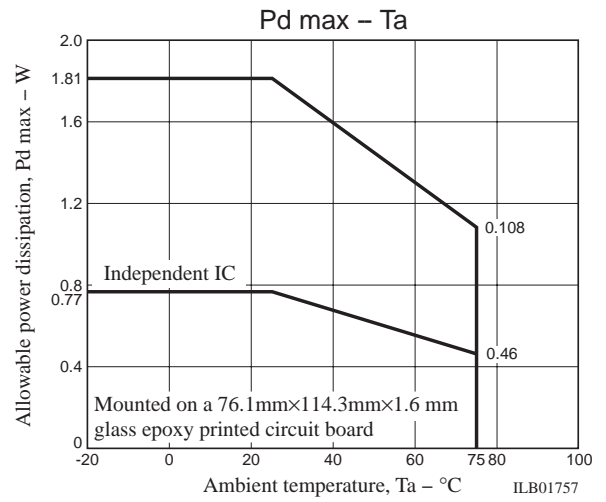
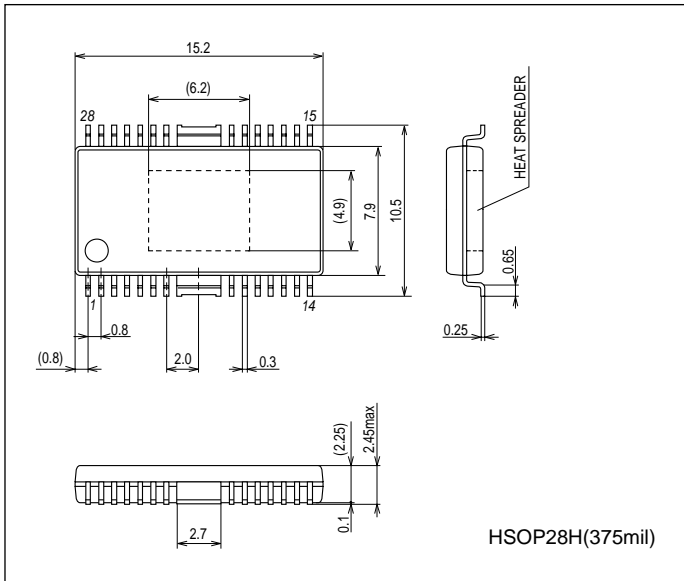
Ground level

$$\text{Correction ratio} = \frac{25(V_p - V_b)}{V_p - V_b} \cdot 1005(\%)$$

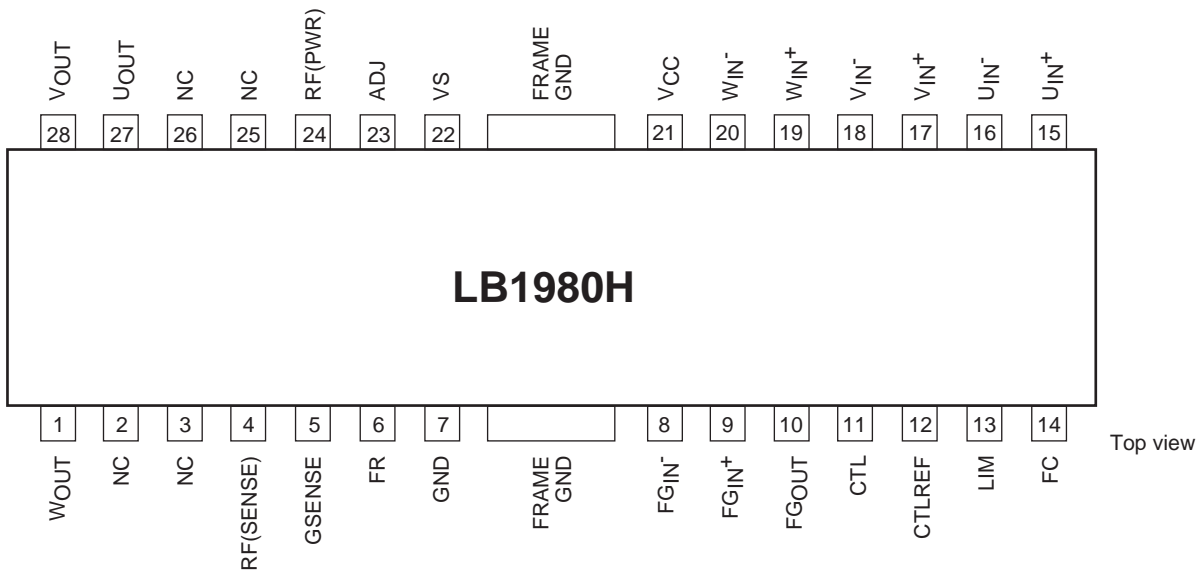
Package Dimensions

unit : mm (typ)

3233B

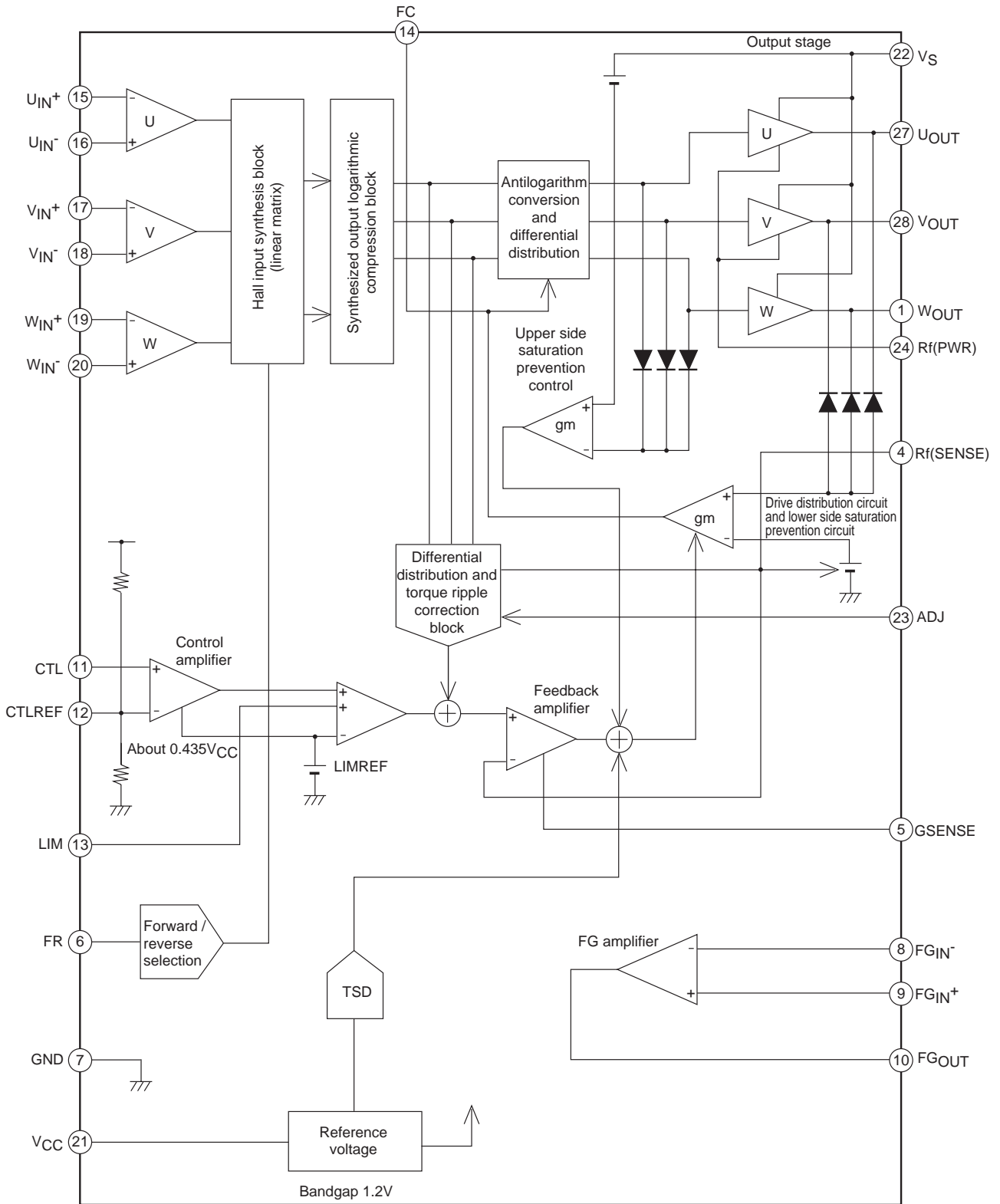


Pin Assignment



LB1980H

Block Diagram



Pin Function

Pin No.	Pin Name	Function	Equivalent circuit
27 28 1	U_{OUT} V_{OUT} W_{OUT}	U phase output, Spark killer diodes are built-in. V phase output, Spark killer diodes are built-in. W phase output, Spark killer diodes are built-in.	
4 5	R_f (SENSE) R_f (PWR)	Output current detection. The control block current limiter operates using the resistor R_f connected between these pins and ground. Also, the lower side saturation prevention circuit and the torque ripple correction circuit operate based on the voltages across this resistor. It is especially important to note that, since the saturation prevention level is set using this voltage, the lower side saturation prevention circuit will become less effective in the high current region if the value of R_f is lowered excessively. Also, the PWR and SENSE pins must be connected together.	
22	V_S	Output block power supply	
5	GSENSE	Ground sensing. The influence of the common ground impedance on R_f can be excluded by connecting this pin to nearest ground for the R_f resistor side of the motor ground wiring that includes R_f . (This pin must not be left open.)	
6	FR	Forward / reverse selection. The voltage applied to this pin selects the motor direction (forward or reverse). ($V_{th}=2.5V$ at $V_{CC}=5V$ (typical))	
23	ADJ	Used for external adjustment of the torque ripple correction ratio. Apply a voltage externally with a low-impedance circuit to the ADJ pin to adjust the correction ratio. The correction ratio falls as the applied voltage is increased, and increases as the applied voltage decreases. The torque ripple correction ratio can be modified by factors in the range 0 to 2 times the ratio that applies when this pin is left open. (The pin voltage is set to about $V_{CC} / 2$ internally, and the input impedance is about $5k\Omega$.)	
7	GND	Ground for all circuits other than the output transistors. The lowest potential of the output transistors is that of the R_f pin.	
8	FG_{IN}^-	Input used when the FG amplifier is used as an inverting input. A feedback resistor must be connected between FG_{OUT} and this pin.	
9	FG_{IN}^+	Non-inverting input used when the FG amplifier is used as a differential input amplifier. No bias is applied internally.	
10	FG_{OUT}	FG amplifier output. There is an internal resistive load.	
14	FC	Speed control loop frequency characteristics correction.	

Continued on next page.

LB1980H

Continued from preceding page.

Pin No.	Pin Name	Function	Equivalent circuit
11	CTL	Speed control input. The control implemented is fixed current drive controlled by current feedback from Rf. $G_m=0.58 / V$ (typical) when $R_f=0.5\Omega$	
12	CTLREF	Control reference voltage. While this pin is set to about $0.43 \times V_{CC}$ internally, this voltage can be modified by applying a voltage from a low-impedance circuit. (The input impedance is about $4.3k\Omega$).	
13	LIM	Current limiter function control. The output current can be varied linearly by applying a voltage to this pin. The slope is $0.5A / V$ (typical) when $R_f=0.5\Omega$.	
15	U_{IN}^+	U phase Hall element inputs.	
16	U_{IN}^-	Logic high is defined as states where $IN^+ > IN^-$.	
17	V_{IN}^+	V phase Hall element inputs.	
18	V_{IN}^-	Logic high is defined as states where $IN^+ > IN^-$.	
19	W_{IN}^+	W phase Hall element inputs.	
20	W_{IN}^-	Logic high is defined as states where $IN^+ > IN^-$.	
21	V_{CC}	Power supply for all internal blocks other than the output block. This voltage must be stabilized so that noise and ripple do not enter the IC.	

Truth Table and Control Functions

	Source → Sink	Hall input			FR
		U	V	W	
1	Phase V → Phase W	H	H	L	H
	Phase W → Phase V	H	H	L	L
2	Phase U → Phase W	H	L	L	H
	Phase W → Phase U	H	L	L	L
3	Phase U → Phase V	H	L	H	H
	Phase V → Phase U	H	L	H	L
4	Phase W → Phase V	L	L	H	H
	Phase V → Phase W	L	L	H	L
5	Phase W → Phase U	L	H	H	H
	Phase U → Phase W	L	H	H	L
6	Phase V → Phase U	L	H	L	H
	Phase U → Phase V	L	H	L	L

Note: In the FR column, “H” refers to a voltage of 2.75V or higher, and “L” refers to 2.25V or lower (when $V_{CC}=5V$).

Note: In the Hall input column, “H” refers to the state in the corresponding phase where the +input is at a potential at least 0.01V higher than the -input, and “L” refers to the state where the -input is at a potential at least 0.01V higher than the +input.

Note: Since the drive technique adopted is a 180° technique, phases other than the sink and source phase do not turn off.

Control Function and Current Limiter Function

