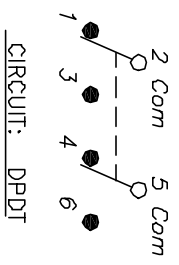


PANEL THICKNESS  
1.52 TO 3.18

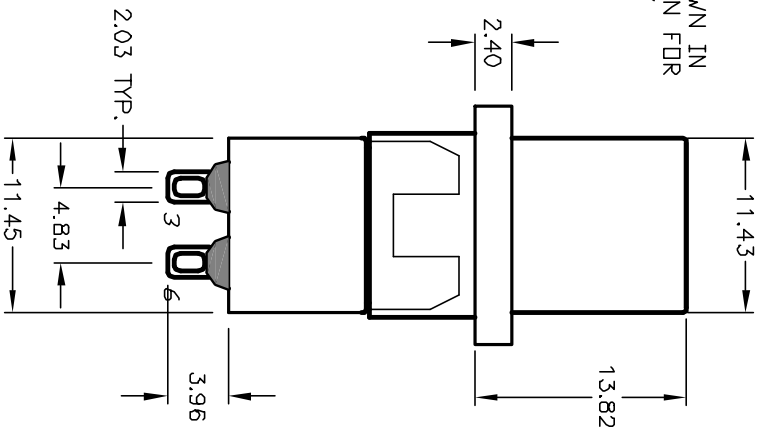
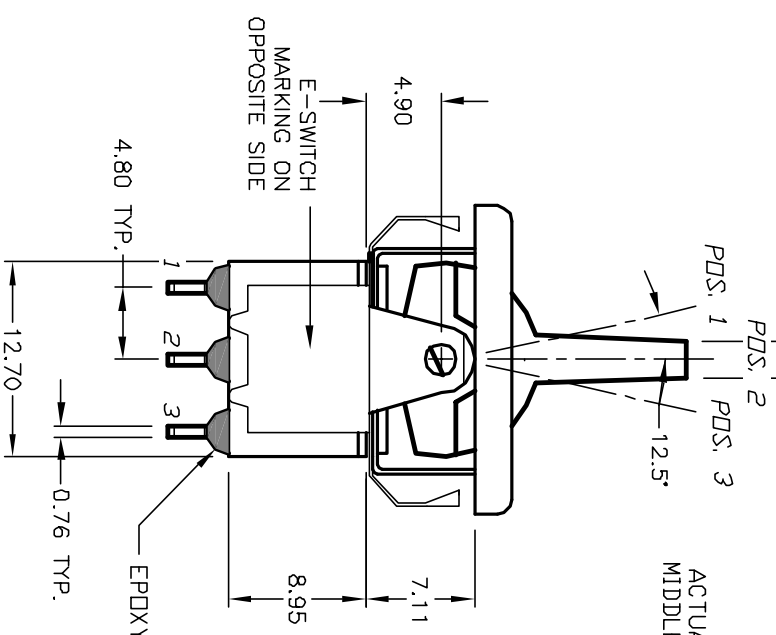
\* DIMENSION IS 15.75/15.88  
FOR PANEL THICKNESS BETWEEN  
1.52mm TO 3.18mm

BLACK FRAME

RECOMMENDED PANEL MOUNTING



ACTUATOR SHOWN IN  
MIDDLE POSITION FOR  
REF. ONLY



SWITCH FUNCTION		
POS. 1	POS. 2	POS. 3
DN	NDNE	<DN>
2-3,5-6	DPEN	2-1,5-4

NOTES:

1. ALL DIMENSIONS IN MM
2. GENERAL TOLERANCE: X.X=±0.4 X.XX=±0.25
3. TERM. NOS. FOR REF. ONLY
4. RATING: 5A @120VAC OR 2BVDC 2A @250VAC
5. MATERIAL: FIXED TERMINAL & MOVING CONTACT  
Copper Alloy w/Silver Plate
6. CONTACT RESISTANCE: 10mILLI Ohms max initial @2-4VDC, 100mA for AG & AU
7. ELECTRICAL LIFE: 50,000 make-and-break cycles at full load.
8. INSULATION RESISTANCE: 1,000M Ohm min.
9. DIELECTRIC STRENGTH: 1000V RMS @sea level
10. OPERATING TEMP.: -30°C to 85°C

**E-SWITCH®**

REV.	ECN No.	DESCRIPTION	DATE	CHKD	SCALE	DATE	DR	DWG	REV
A	12006	RELEASED FOR PRODUCTION	6/25/02	CB	2:1	6/25/02	CB	T322012	A
TITLE 300 DP-2 R7 RED M1 Q E BLK									
THE INFORMATION CONTAINED IN THIS DOCUMENT IS PROPRIETARY TO E-SWITCH AND IS NOT TO BE COPIED OR TRANSFERRED									