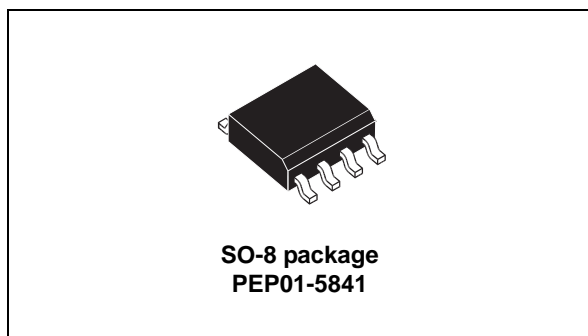


Power over Ethernet power supply protection

Datasheet - production data



Features

- Peak pulse power: up to 2.7 kW (8/20 μ s)
- Stand-off voltage: 58 V
- 4 unidirectional Transils™ and 4 decoupling capacitances
- Low clamping voltage: 100 V
- Low leakage current:
 - 0.2 μ A at 25 °C
 - 1 μ A at 85 °C
- Operating T_j max: 150 °C
- JEDEC registered package outline

Complies with the following standards

- IEC61000-4-2 level 4
 - 15 kV (air discharge)
 - 8 kV (contact discharge)
- IEC61000-4-5 level 2
 - \pm 1 kV 42 Ω
- IEEE 802.3af-2003
- IEEE 802.3at-2008

Description

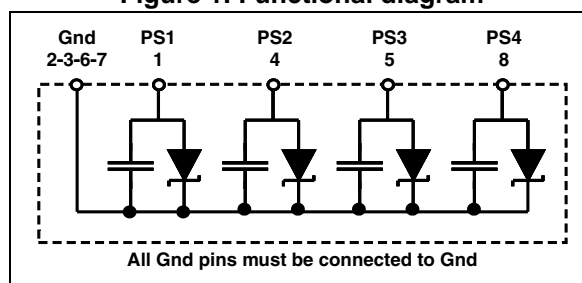
The PEP01-5841 has been designed to protect power over Ethernet PSE equipment against line overvoltages. It embeds 4 decoupling capacitors to stabilize power supplies.

It is compatible with IEEE 802.3af-2003 and IEEE 802.3at-2008 requirements and it allows PoE based systems to be protected against both electrical overstress (EOS) and electrostatic discharges (ESD) according to IEC61000-4-5 and IEC61000-4-2.

The low clamping voltage (100 V) makes it compatible with PMOS and PSE controller technologies. Developed in Planar technology, it provides high reliability level.

Packaged in SO-8, this minimizes PCB consumption (footprint in accordance with the IPC 7531 standard).

Figure 1. Functional diagram



TM: Transil is a trademark of STMicroelectronics

1 Characteristics

Table 1. Absolute ratings ($T_{amb} = 25\text{ }^{\circ}\text{C}$)

Symbol	Parameter	Value	Unit
V_{PP}	Peak pulse voltage (IEC61000-4-2 contact discharge)	30	kV
P_{PP}	Peak pulse power dissipation	$T_j \text{ initial} = T_{amb}$ 2700	W
T_{stg}	Storage temperature range	-65 to + 150	$^{\circ}\text{C}$
T_j	Operating junction temperature range	-55 to + 150	$^{\circ}\text{C}$
T_L	Maximum lead temperature for soldering during 10 s.	260	$^{\circ}\text{C}$

Figure 2. Electrical characteristics - definitions ($T_{amb} = 25\text{ }^{\circ}\text{C}$)

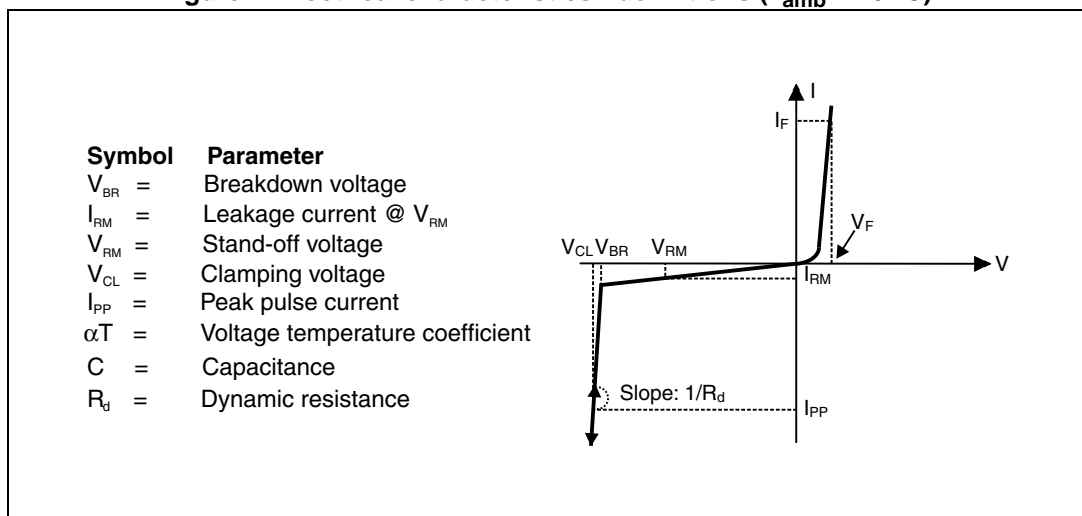


Table 2. Electrical characteristics - values ($T_{amb} = 25\text{ }^{\circ}\text{C}$)

Type	$I_{RM} \text{ max @ } V_{RM}$			$V_{BR} @ I_R^{(1)}$				8/20 μs		C	$\alpha T^{(3)}$	
	25 $^{\circ}\text{C}$	85 $^{\circ}\text{C}$		min.	typ.	max.		$V_{CL} @ I_{PP}$	$R_D^{(2)}$			
	μA	μA	V	V			mA	V	A	Ω	pF	$10^{-4} \text{ }^{\circ}\text{C}$
PEP01-5841	0.2	1	58	64.4	67.8	71.2	1	100	24	1.2	55	10.4

1. Pulse test: $t_p < 50\text{ ms}$
2. To calculate maximum clamping voltage at other surge level, use the following formula:
 $V_{CLmax} = R_D \times I_{PP} + V_{BRmax}$
3. To calculate V_{BR} versus junction temperature, use the following formula:
 $V_{BR @ T_J} = V_{BR @ 25\text{ }^{\circ}\text{C}} \times (1 + \alpha T \times (T_J - 25))$

Figure 3. Pulse waveform

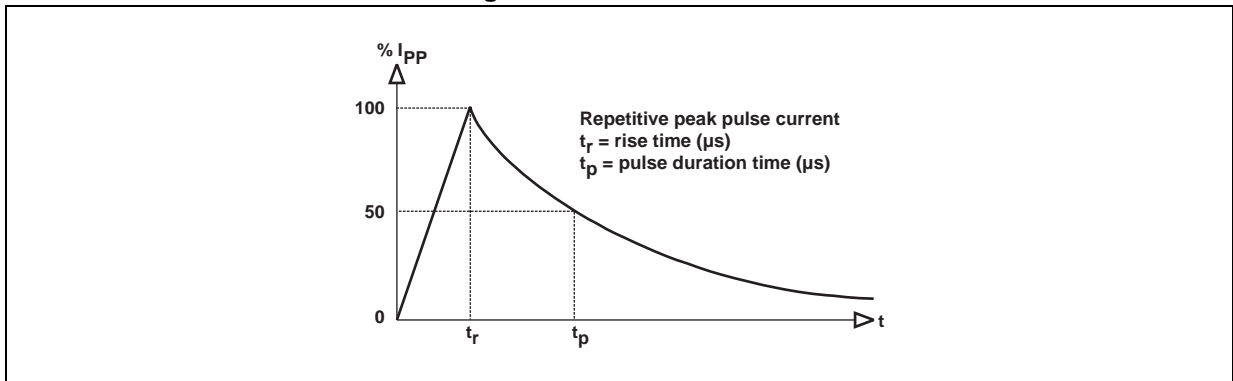


Figure 4. Peak power dissipation versus initial junction temperature

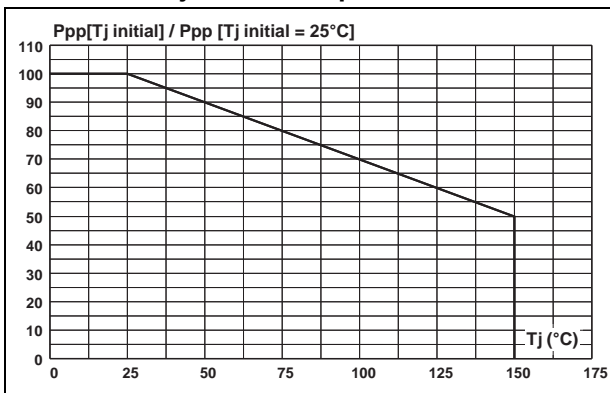


Figure 5. Peak pulse power versus exponential pulse duration (T_j initial = 25 °C)

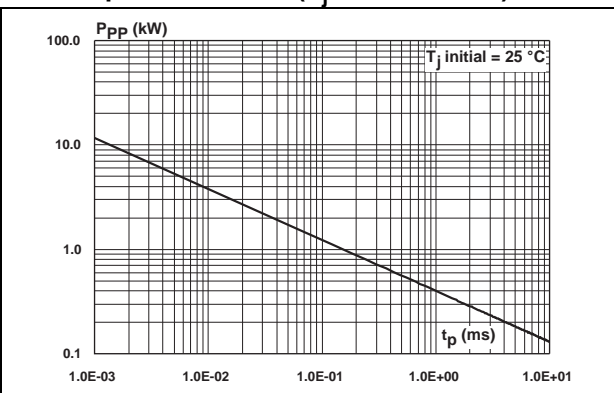


Figure 6. Clamping voltage versus peak pulse current (exponential waveform, maximum values)

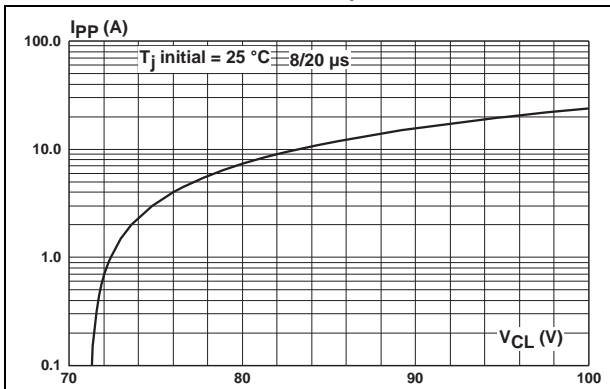


Figure 7. Capacitance versus voltage (typical values)

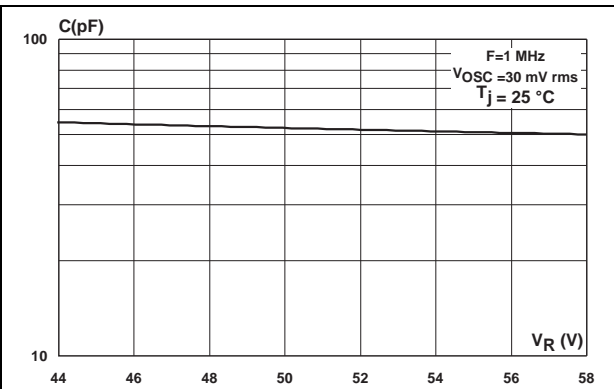


Figure 8. Peak forward voltage drop versus peak forward current (typical values)

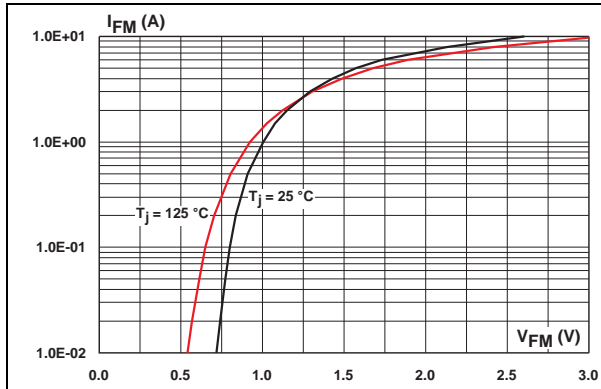


Figure 9. Relative variation of thermal impedance junction to ambient versus pulse duration

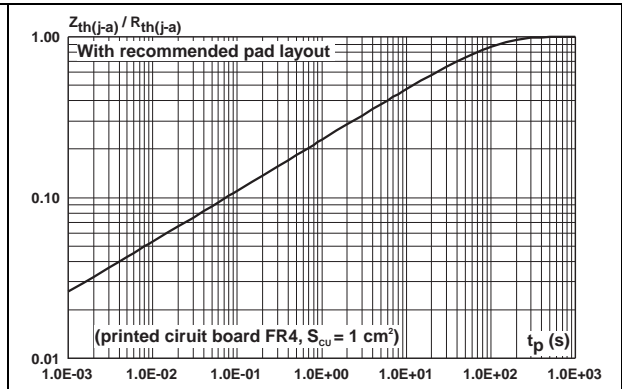
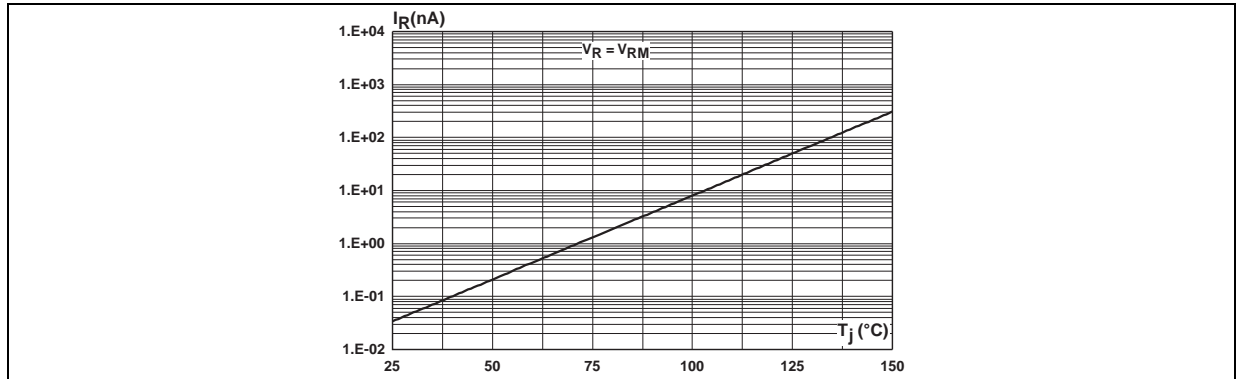


Figure 10. Leakage current versus junction temperature (typical values)



2 Application

Figure 11. Typical application circuit with PMOS integrated in PSE controller

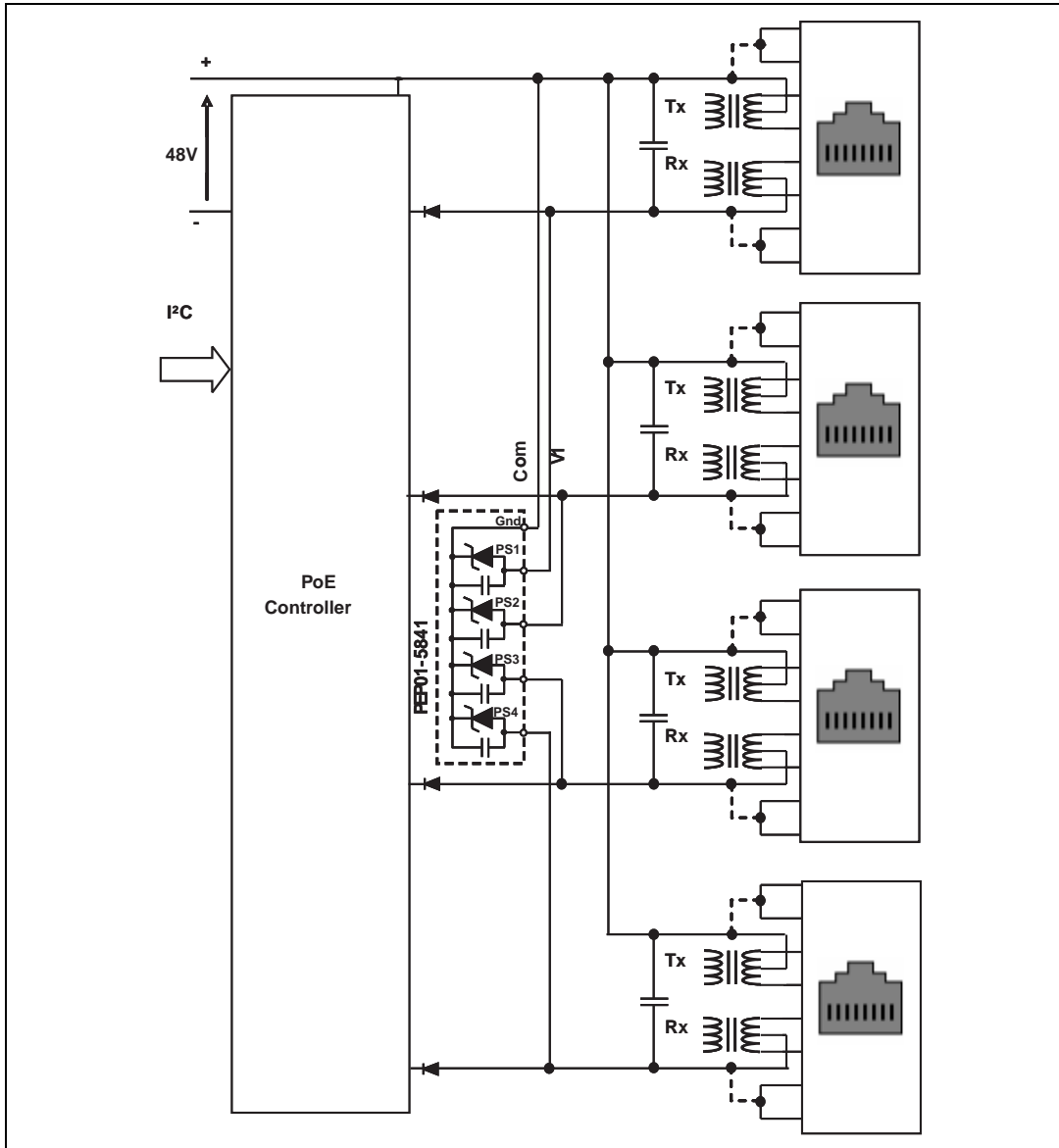


Figure 12. Typical application circuit with external PMOS

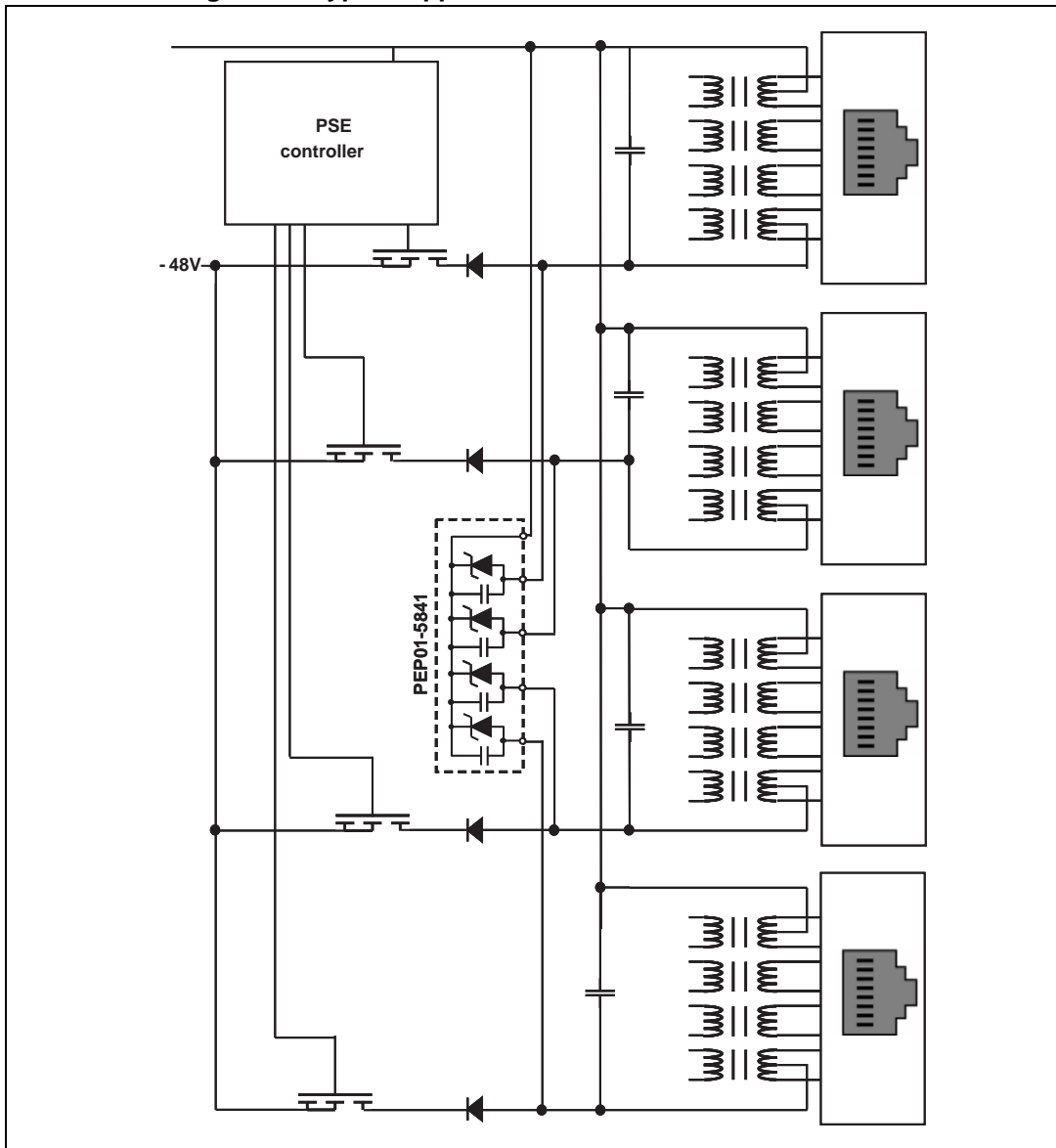


Figure 11 and Figure 12 show typical application schematics of PoE network. Power sourcing equipment (PSE) allows communication and power sourcing for several power devices (PD). The number of ways is generally a multiple of 4, this optimizes the PEP01-5841 for track layout and crosstalk, as well as PCB surface occupation. This protection device has been studied to comply with the latest IEEE 802.3af-2003 requirements and to withstand the surge defined in the IEC 61000-4-5 level 2 requirements.

3 Package information

- Case: JEDEC SO-8 molded plastic over planar junction
- Terminals: solder plated, solderable according to MIL-STD-750, Method 2026
- Flammability: epoxy is rated UL94V-0
- RoHS package

In order to meet environmental requirements, ST offers these devices in different grades of ECOPACK[®] packages, depending on their level of environmental compliance. ECOPACK[®] specifications, grade definitions and product status are available at: www.st.com. ECOPACK[®] is an ST trademark.

Figure 13. SO-8 dimension definitions

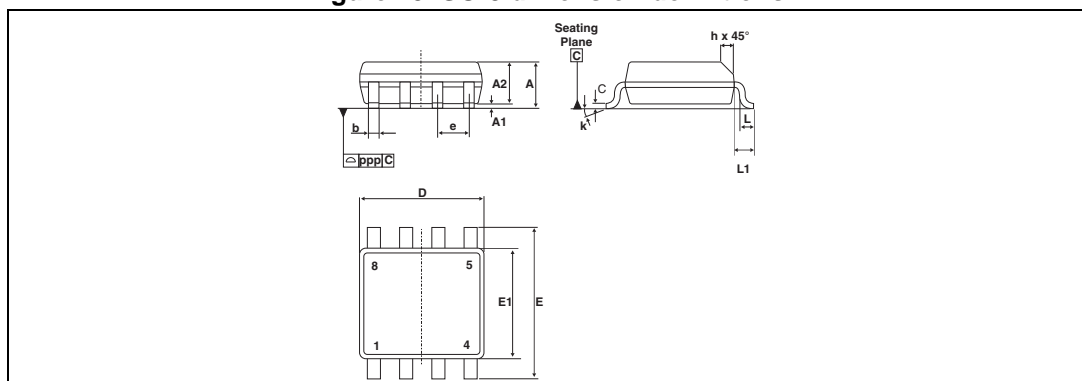


Table 3. SO-8 dimension values

Ref.	Dimensions					
	Millimeters			Inches		
	Min.	Typ.	Max.	Min.	Typ.	Max.
A	-	-	1.75	-	-	0.069
A1	0.1	-	0.25	0.004	-	0.010
A2	1.25	-	-	0.049	-	-
b	0.28	-	0.48	0.011	-	0.019
C	0.17	-	0.23	0.007	-	0.009
D	4.80	4.90	5.00	0.189	0.193	0.197
E	5.80	6.00	6.20	0.228	0.236	0.244
E1	3.80	3.90	4.00	0.150	0.154	0.157
e	-	1.27	-	-	0.050	-
h	0.25	-	0.50	0.010	-	0.020
L	0.40	-	1.27	0.016	-	0.050
L1	-	1.04	-	-	0.041	-
k	0°	-	8°	0°	-	8°
ppp	-	-	0.10	-	-	0.004

Figure 14. Footprint recommendation dimensions in mm (inches)

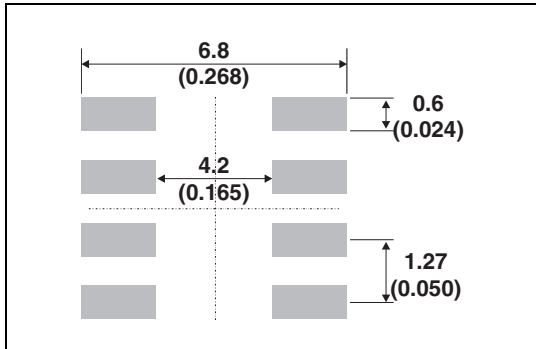


Figure 15. Footprint recommendation for improved clearance dimensions in mm (inches)

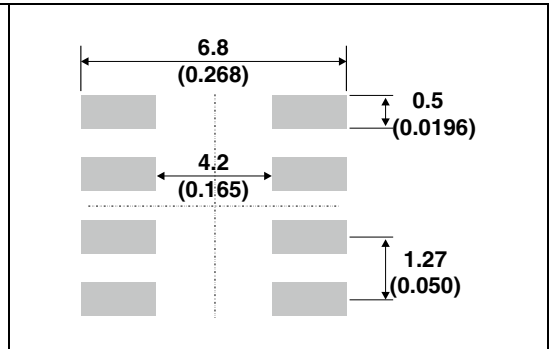
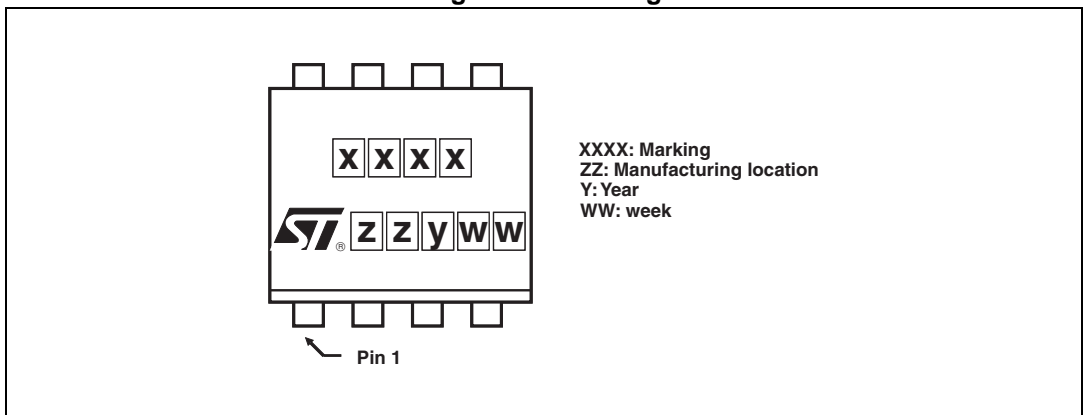


Figure 16. Marking



4 Ordering information

Figure 17. Ordering information scheme

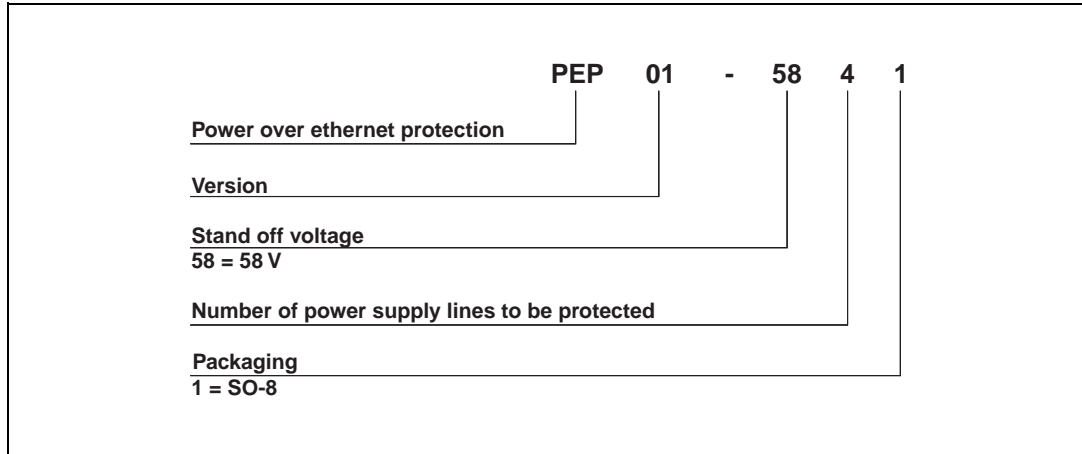


Table 4. Ordering information

Order code	Marking	Package	Weight	Base qty	Delivery mode
PEP01-5841	58E1	SO-8	78 mg	2000	Tape and reel

5 Revision history

Table 5. Document revision history

Date	Revision	Changes
06-May-2009	1	Initial release.
14-May-2009	2	Standards compliance updated.
17-Jan-2013	3	Added note on GND pins in Figure 1 and added Figure 15 .
13-Nov-2013	4	Updated level 4 to level 2 under Figure 12 .

Please Read Carefully:

Information in this document is provided solely in connection with ST products. STMicroelectronics NV and its subsidiaries ("ST") reserve the right to make changes, corrections, modifications or improvements, to this document, and the products and services described herein at any time, without notice.

All ST products are sold pursuant to ST's terms and conditions of sale.

Purchasers are solely responsible for the choice, selection and use of the ST products and services described herein, and ST assumes no liability whatsoever relating to the choice, selection or use of the ST products and services described herein.

No license, express or implied, by estoppel or otherwise, to any intellectual property rights is granted under this document. If any part of this document refers to any third party products or services it shall not be deemed a license grant by ST for the use of such third party products or services, or any intellectual property contained therein or considered as a warranty covering the use in any manner whatsoever of such third party products or services or any intellectual property contained therein.

UNLESS OTHERWISE SET FORTH IN ST'S TERMS AND CONDITIONS OF SALE ST DISCLAIMS ANY EXPRESS OR IMPLIED WARRANTY WITH RESPECT TO THE USE AND/OR SALE OF ST PRODUCTS INCLUDING WITHOUT LIMITATION IMPLIED WARRANTIES OF MERCHANTABILITY, FITNESS FOR A PARTICULAR PURPOSE (AND THEIR EQUIVALENTS UNDER THE LAWS OF ANY JURISDICTION), OR INFRINGEMENT OF ANY PATENT, COPYRIGHT OR OTHER INTELLECTUAL PROPERTY RIGHT.

ST PRODUCTS ARE NOT DESIGNED OR AUTHORIZED FOR USE IN: (A) SAFETY CRITICAL APPLICATIONS SUCH AS LIFE SUPPORTING, ACTIVE IMPLANTED DEVICES OR SYSTEMS WITH PRODUCT FUNCTIONAL SAFETY REQUIREMENTS; (B) AERONAUTIC APPLICATIONS; (C) AUTOMOTIVE APPLICATIONS OR ENVIRONMENTS, AND/OR (D) AEROSPACE APPLICATIONS OR ENVIRONMENTS. WHERE ST PRODUCTS ARE NOT DESIGNED FOR SUCH USE, THE PURCHASER SHALL USE PRODUCTS AT PURCHASER'S SOLE RISK, EVEN IF ST HAS BEEN INFORMED IN WRITING OF SUCH USAGE, UNLESS A PRODUCT IS EXPRESSLY DESIGNATED BY ST AS BEING INTENDED FOR "AUTOMOTIVE, AUTOMOTIVE SAFETY OR MEDICAL" INDUSTRY DOMAINS ACCORDING TO ST PRODUCT DESIGN SPECIFICATIONS. PRODUCTS FORMALLY ESCC, QML OR JAN QUALIFIED ARE DEEMED SUITABLE FOR USE IN AEROSPACE BY THE CORRESPONDING GOVERNMENTAL AGENCY.

Resale of ST products with provisions different from the statements and/or technical features set forth in this document shall immediately void any warranty granted by ST for the ST product or service described herein and shall not create or extend in any manner whatsoever, any liability of ST.

ST and the ST logo are trademarks or registered trademarks of ST in various countries.

Information in this document supersedes and replaces all information previously supplied.

The ST logo is a registered trademark of STMicroelectronics. All other names are the property of their respective owners.

© 2013 STMicroelectronics - All rights reserved

STMicroelectronics group of companies

Australia - Belgium - Brazil - Canada - China - Czech Republic - Finland - France - Germany - Hong Kong - India - Israel - Italy - Japan - Malaysia - Malta - Morocco - Philippines - Singapore - Spain - Sweden - Switzerland - United Kingdom - United States of America

www.st.com