

SHINDENGEN

Schottky Rectifiers (SBD)

Single

M1FP3

30V 1.29A

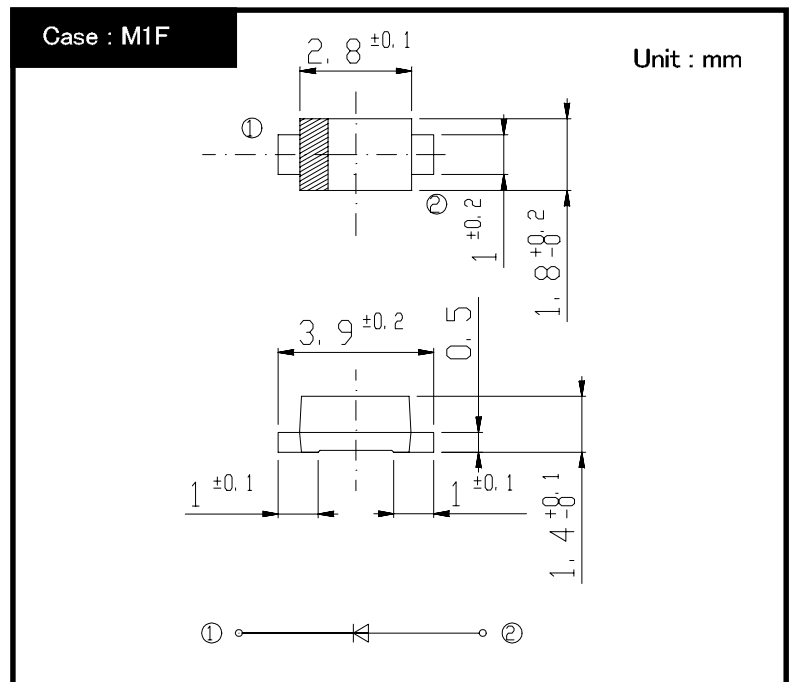
FEATURES

- Small SMT
- Super low $V_F=0.4V$

APPLICATION

- Reversed Battery Connection Protection
- DC OR output
- DC/DC converter
- Mobile telephone, personal computer

OUTLINE DIMENSIONS



RATINGS

● Absolute Maximum Ratings (If not specified $T_I=25^\circ C$)

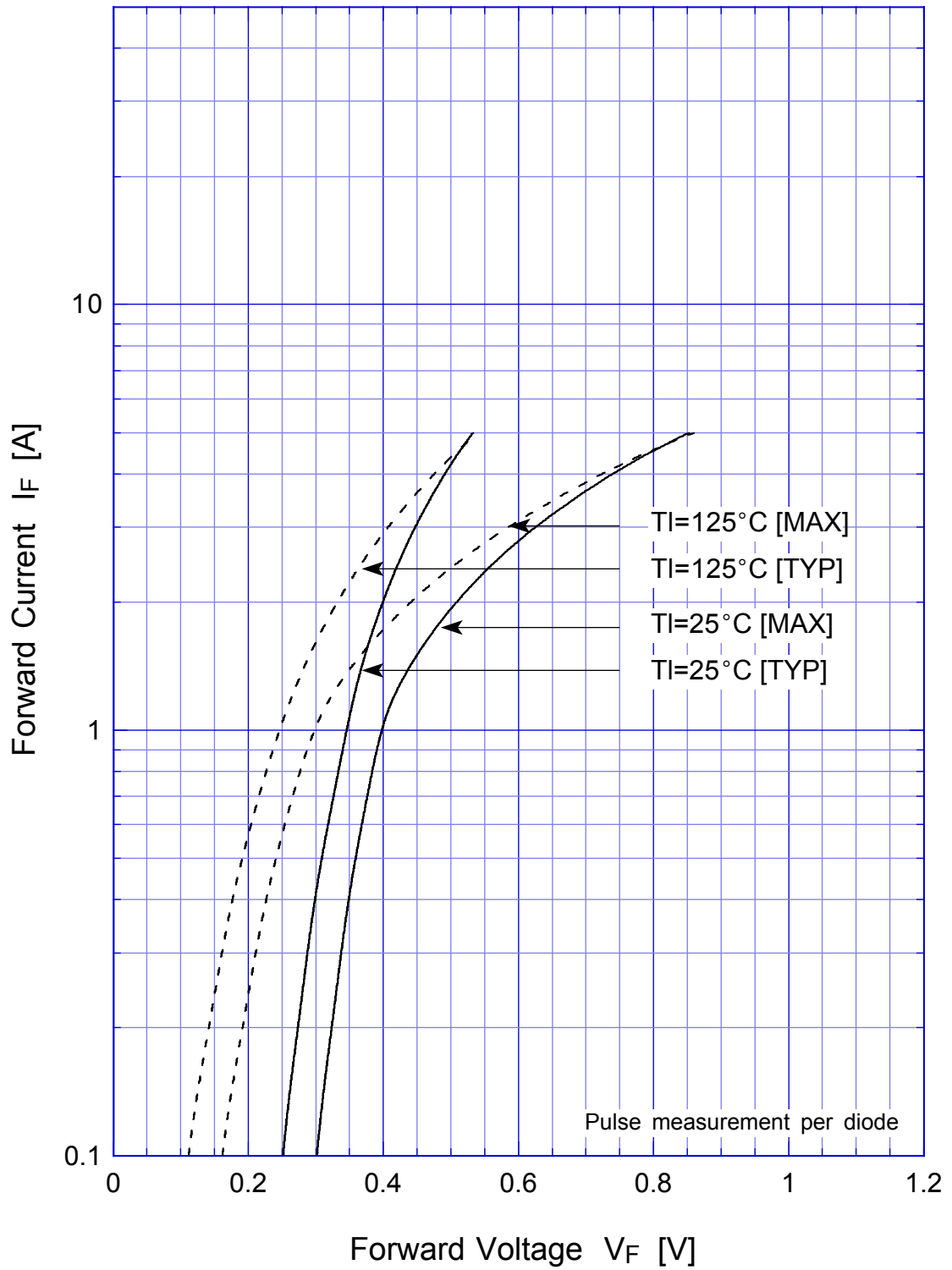
Item	Symbol	Conditions	Ratings	Unit
Storage Temperature	T_{stg}		-55~125	$^\circ C$
Operating Junction Temperature	T_j		125	$^\circ C$
Maximum Reverse Voltage	V_{RM}		30	V
Average Rectified Forward Current	I_O	50Hz sine wave, R-load $T_a=25^\circ C$ On alumina substrate	1.29	A
		50Hz sine wave, R-load $T_I=109^\circ C$ On glass-epoxy substrate	1.1	
Peak Surge Forward Current	I_{FSM}	50Hz sine wave, Non-repetitive 1 cycle peak value, $T_j=25^\circ C$	30	A

● Electrical Characteristics (If not specified $T_I=25^\circ C$)

Item	Symbol	Conditions	Ratings	Unit
Forward Voltage	V_F	$I_F=0.4A$, Pulse measurement	Max.0.35	V
		$I_F=1.1A$, Pulse measurement	Max.0.40	
Reverse Current	I_R	$V_R=30V$, Pulse measurement	Max.2.5	mA
Junction Capacitance	C_j	$f=1MHz$, $V_R=10V$	Typ.90	pF
Thermal Resistance	θ_{ja}	junction to lead	Max.20	$^\circ C/W$
		junction to ambient On alumina substrate	Max.108	
		junction to ambient On glass-epoxy substrate	Max.186	

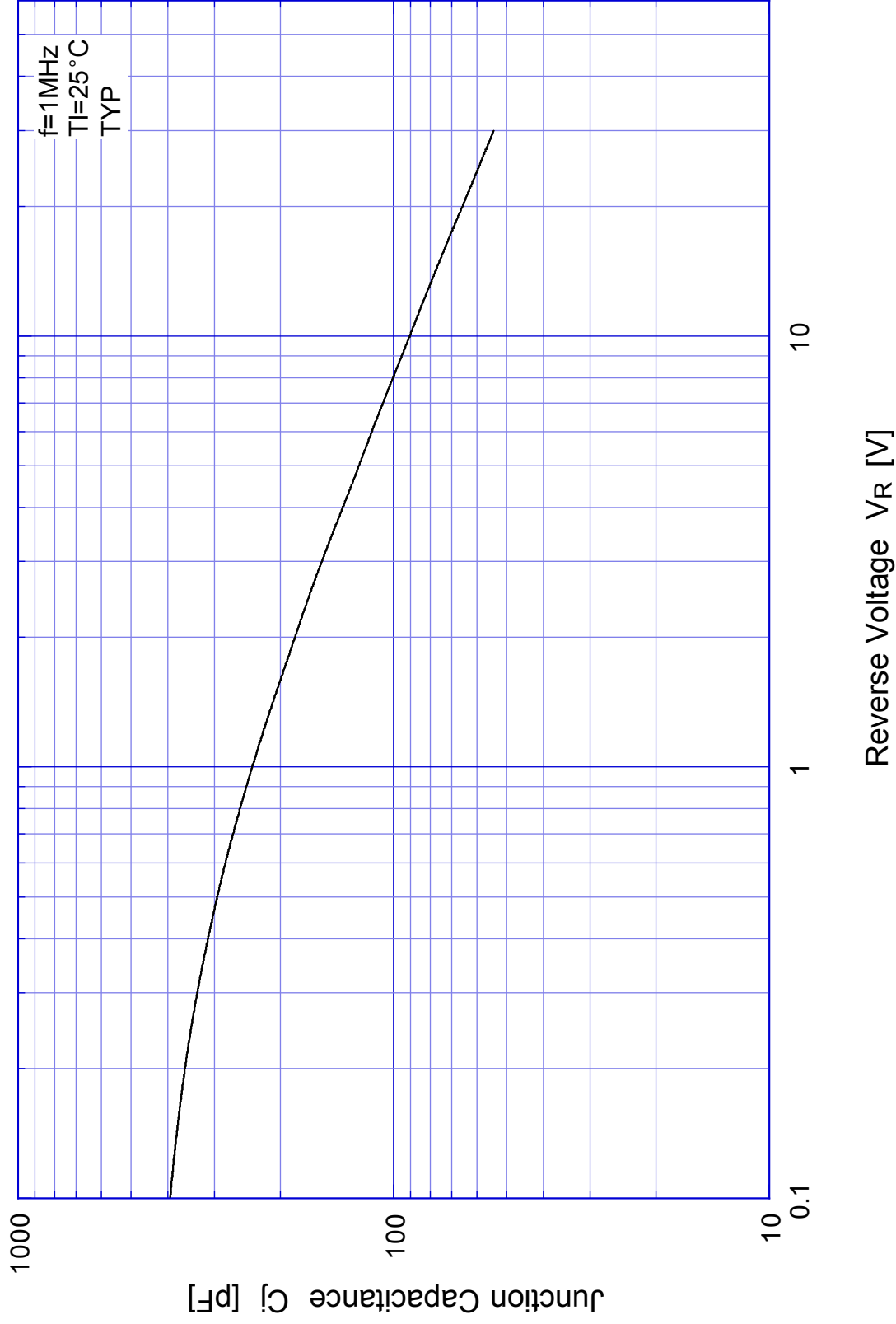
M1FP3

Forward Voltage



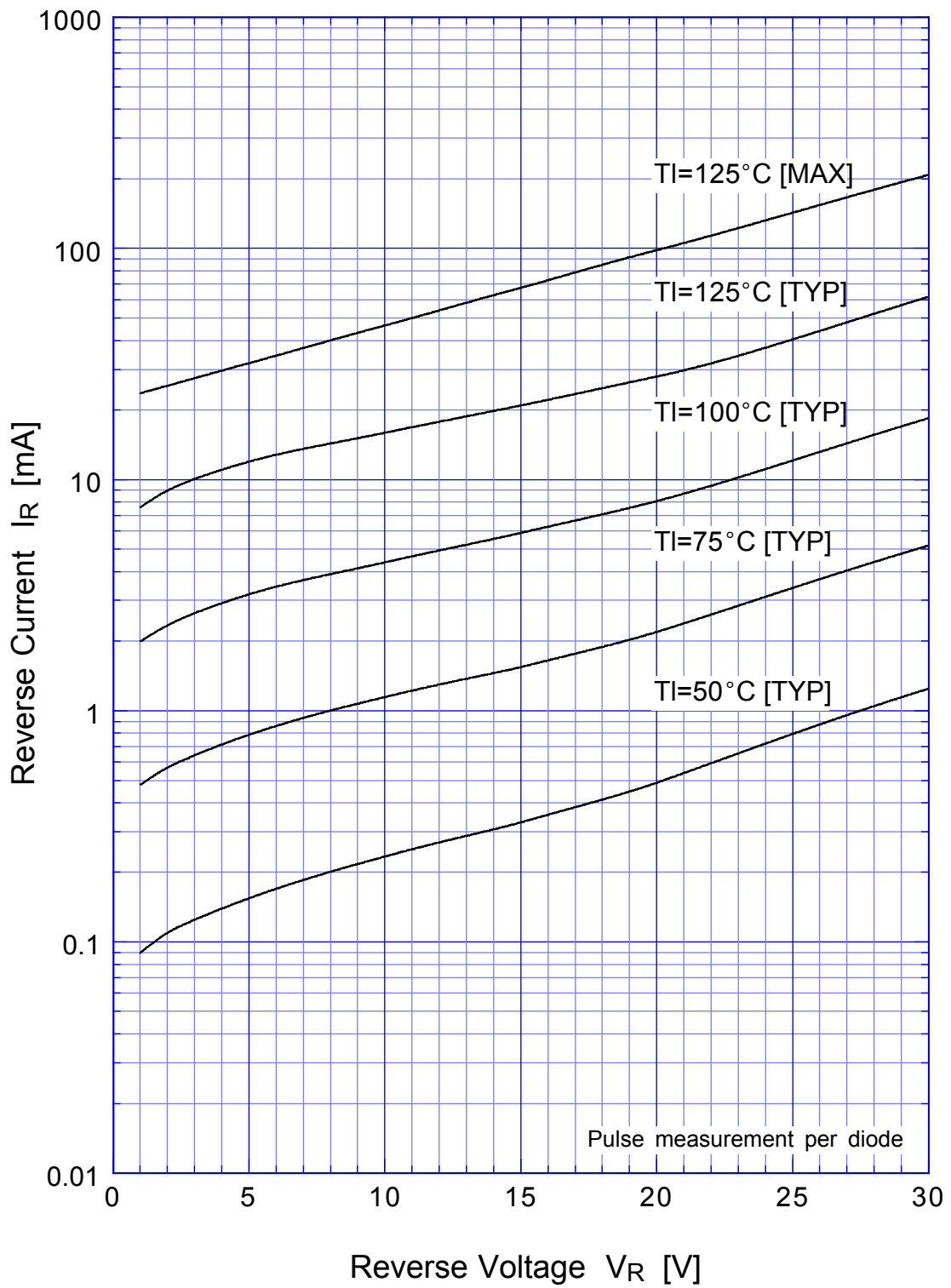
M1FP3

Junction Capacitance



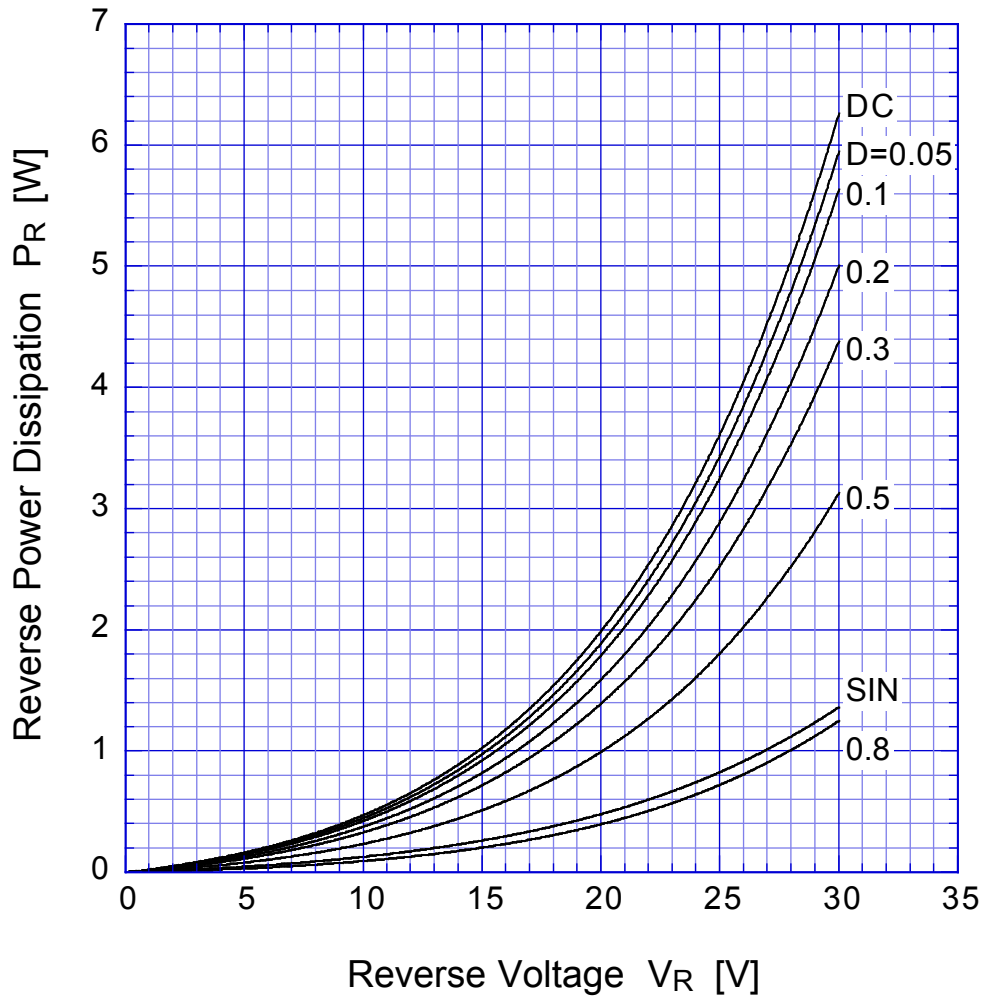
M1FP3

Reverse Current

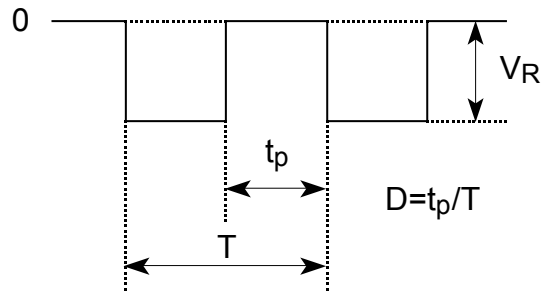


M1FP3

Reverse Power Dissipation

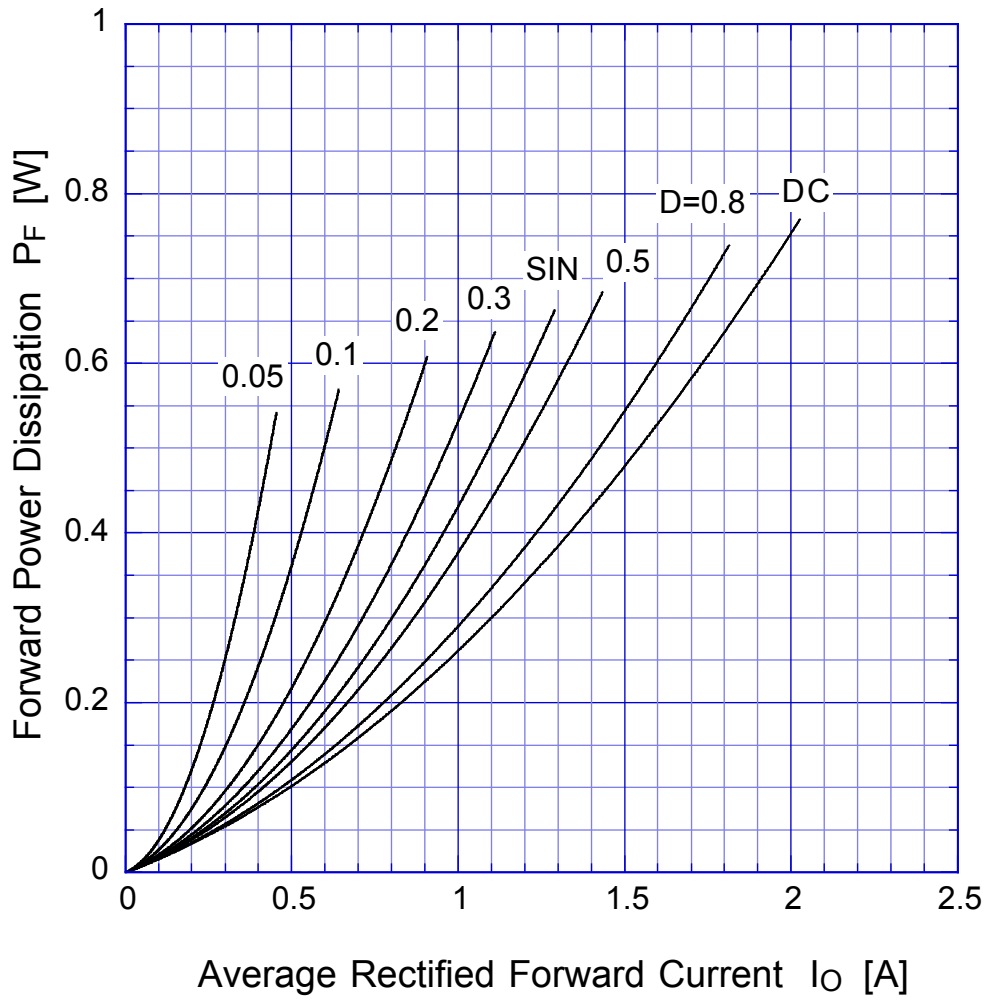


$T_j = 125^\circ\text{C}$

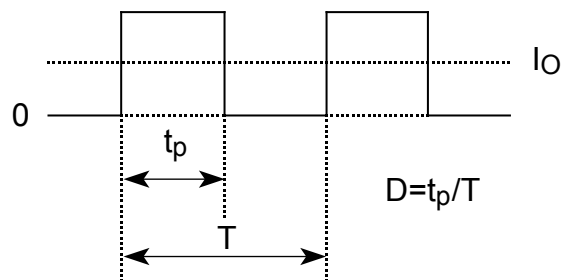


M1FP3

Forward Power Dissipation

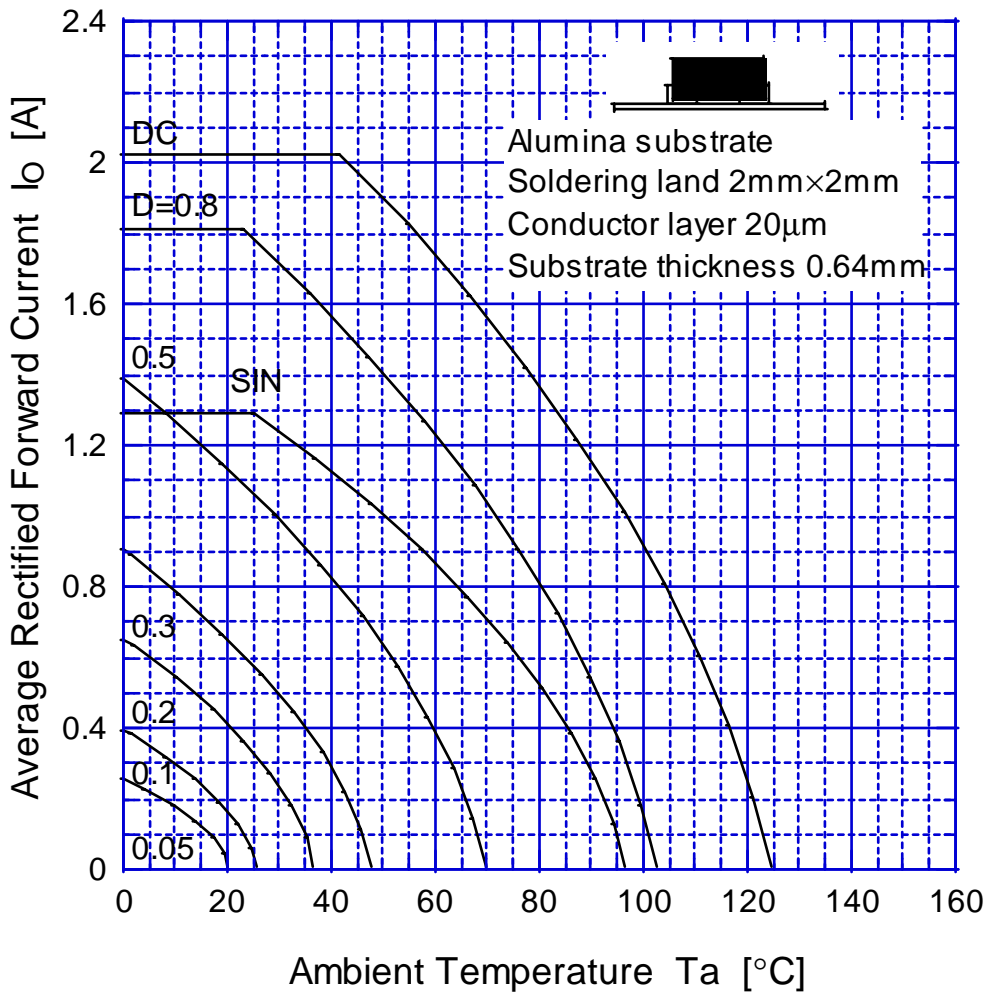


$T_j = 125^\circ\text{C}$

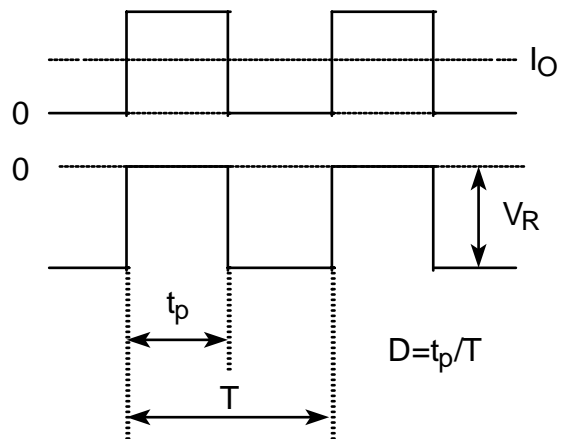


M1FP3

Derating Curve

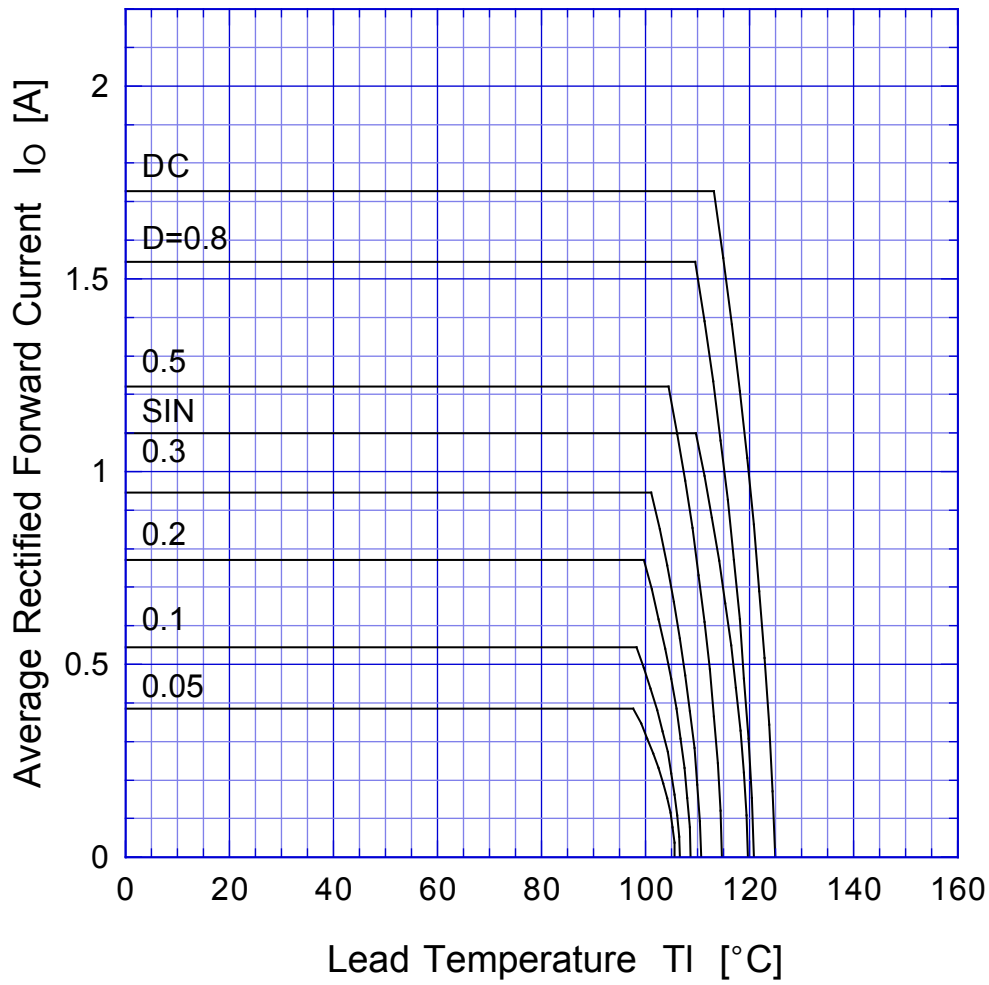


$V_R = 15V$

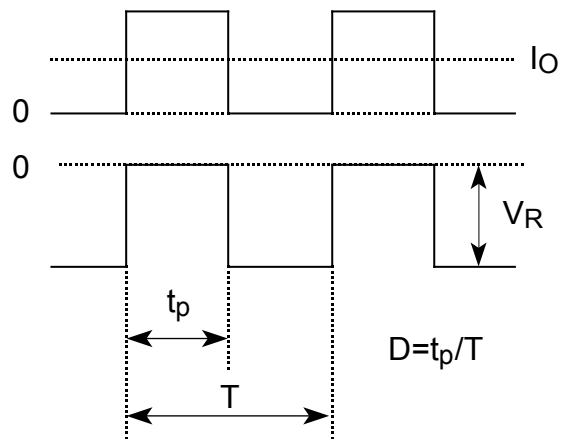


M1FP3

Derating Curve



$V_R = 15V$



M1FP3

Peak Surge Forward Capability

