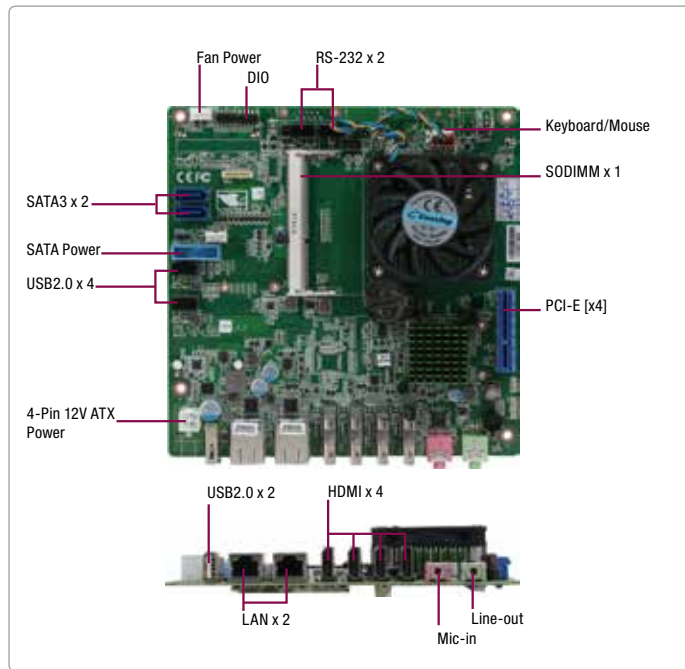


EMB-A70M

Embedded Motherboard with Onboard AMD® R-Series Accelerated Processing Unit



Features

- AMD® Embedded R-260H & R-460L APU (FP2 BGA)
- 204-pin DDR3 1333/1066 MHz SODIMM x 2, Up to 16 GB
- Supports HD Display by HDMI x 4
- Audio Line-out x 1, Mic-in x 1
- USB 2.0 x 1 with Type A Connectors; USB 3.0 x 2, USB 2.0 x 4 with Pin Headers
- Realtek® 8111E for 10/100/1000Base-TX, RJ-45 x 2
- SATA 6.0 Gb/s x 2, mSATA x 1
- Mini-PCIe (Full Size) with SIM Socket x 1, Mini-PCIe x 1 (Optional PCI-E & SATA Signal, Default for mSATA)
- PCI-E [x4] x 1



Specifications

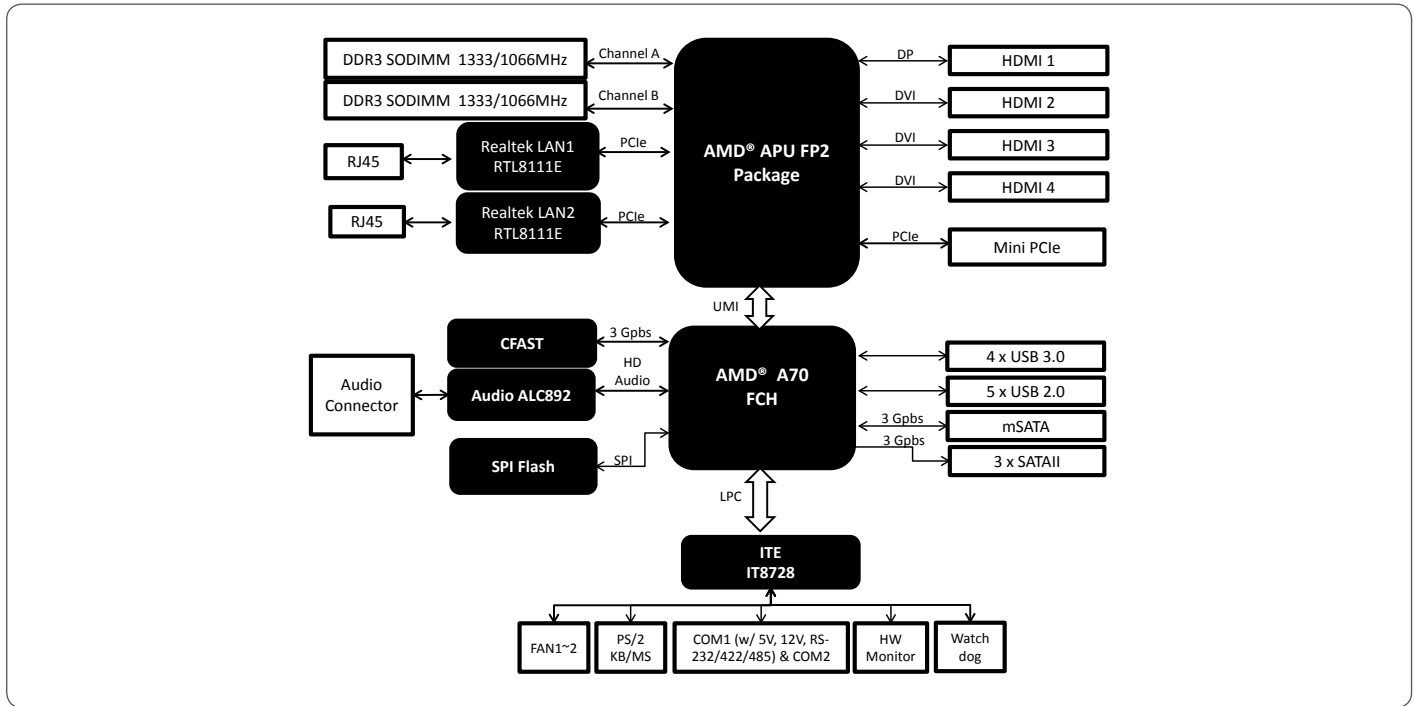
System	
Form Factor	Mini-ITX
Processor	AMD® R-260H & R-460L APU FP2 Processor
System Memory	204-pin DDR3 1333/1066 MHz SODIMM x 2, up to 16 GB
Chipset	AMD® M3/A70M
I/O Chipset	ITE IT8728
Ethernet	Realtek® 8111E for 10/100/1000Base-TX, RJ-45 x 2
BIOS	AMI Plug & Play BIOS - 32 MB
Wake On LAN	Yes
Watchdog Timer	Programmable 1~255 steps System reset
H/W Status Monitoring	Monitoring system temperature, voltage, and cooling fan status
Expansion Interface	Mini-PCIe (Full Size) with SIM Socket x 1 Mini-PCIe x 1 (Optional PCI-E & SATA signal, default for mSATA) PCI-E [x4] x 1 PCI-E [x1] Board to board connector for HDA and DP signal x 1 (optional reserved)
Battery	Lithium battery
Power Requirement	+12V 4-pin connector x 1 CPU fan with 4-pin wafer x 1 System fan with 4-pin wafer x 1 SATA power with 4-pin wafer x 1 SATA+POWER combination connector x 1 Power button switch (optional reserve) x 1
Power Consumption (Typical)	AMD® R-460L APU, DDR3 1333 4 GB, 3.315A@12V
Board Size	6.7" x 6.7" (170 mm x 170 mm)
Gross Weight	1.1 lb (0.5 kg)
Operation Temperature	32 °F ~ 140 °F (0 °C ~ 60 °C)
Storage Temperature	-40 °F ~ 176 °F (-40 °C ~ 80 °C)
Operation Humidity	0% ~ 90% R/H, non-condensing
MTBF (Hours)	88,000
I/O	
Storage	SATA 6.0 Gb/s x 2 mSATA x 1
Serial Port	RS-232 x 1, RS-232/422/485 x 1
Universal Serial Bus	USB 2.0 x 1 with Type A connectors USB 3.0 x 2, USB 2.0 x 4 with Pin Headers
PS/2 Port	Mini-Din PS/2 K/B and Mouse x 1

Packing List

- 1709070800
SATA Cable x 1
- 1702151201
SATA Power Cable x 1
- M20A70M000
I/O Shield x 1
- Product DVD
- EMB-A70M

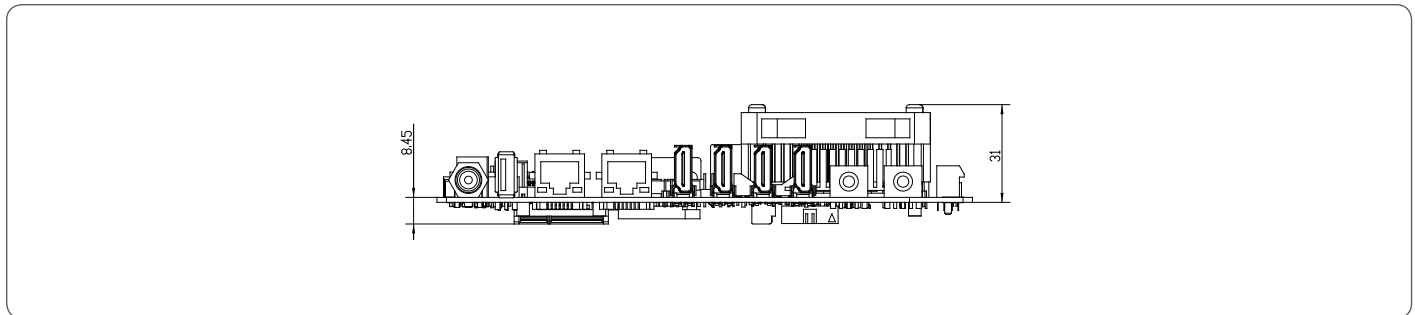
EMB-A70M

Block Diagram



Dimension

Unit: mm



Ordering Information

Part number	CPU	RAM	Fan/Fanless	Display	Storage	LVDS	LAN	USB	RS-232	RS-232/422/485	Expansion Slot	Power	Temp.
EMB-A70M-A10	AMD R-260H	SODIMM	FAN	HDMI x 4	SATA3 x 2, mSATA x 1	—	GbE x 2	USB 3.0 x 2 USB 2.0 x 5	1	1	Mini-PCIe x 1, PCI-E[x4] x 1	+12V DC	0°C ~ 60°C

Optional Accessories

- **1709070800**
SATA Cable, 7P Pitch 1.27mm, 80cm, with Lock
- **1702151201**
Power Cable, 4P 2.5mm Housing, 15P SATA(F), 12cm, for FWS-2150
- **9657666600**
Accessory, for all series Jumper
- **M166616000**
Metal, AL, Heatsink, 28.2 x 28.2 x 13cm, Rev.0.0.F or TM6616, ACE, CM334-282813-Green
- **1709100201**
USB Cable, 20cm 2.0mm, with Bracket
- **1700200301**
USB3.0 Cable, 2 Ports USB3.0 to 20P 2.0mm Housing, 30.5cm, For EMB-A50M
- **1701100206**
Flat Cable, 9P DB 9P Male, 10P 2.00mm Pitch Housing, 20cm
- **1700040309**
Cable, 4P Power CONN, to 3P DC Jack, 30cm

Note:

- Minimum of 3 identical monitors for 4 independent display.
- Only HDMI Port 1 has Audio Support.
- Static Playback could support 4 independent display up to Full HD 1080P.