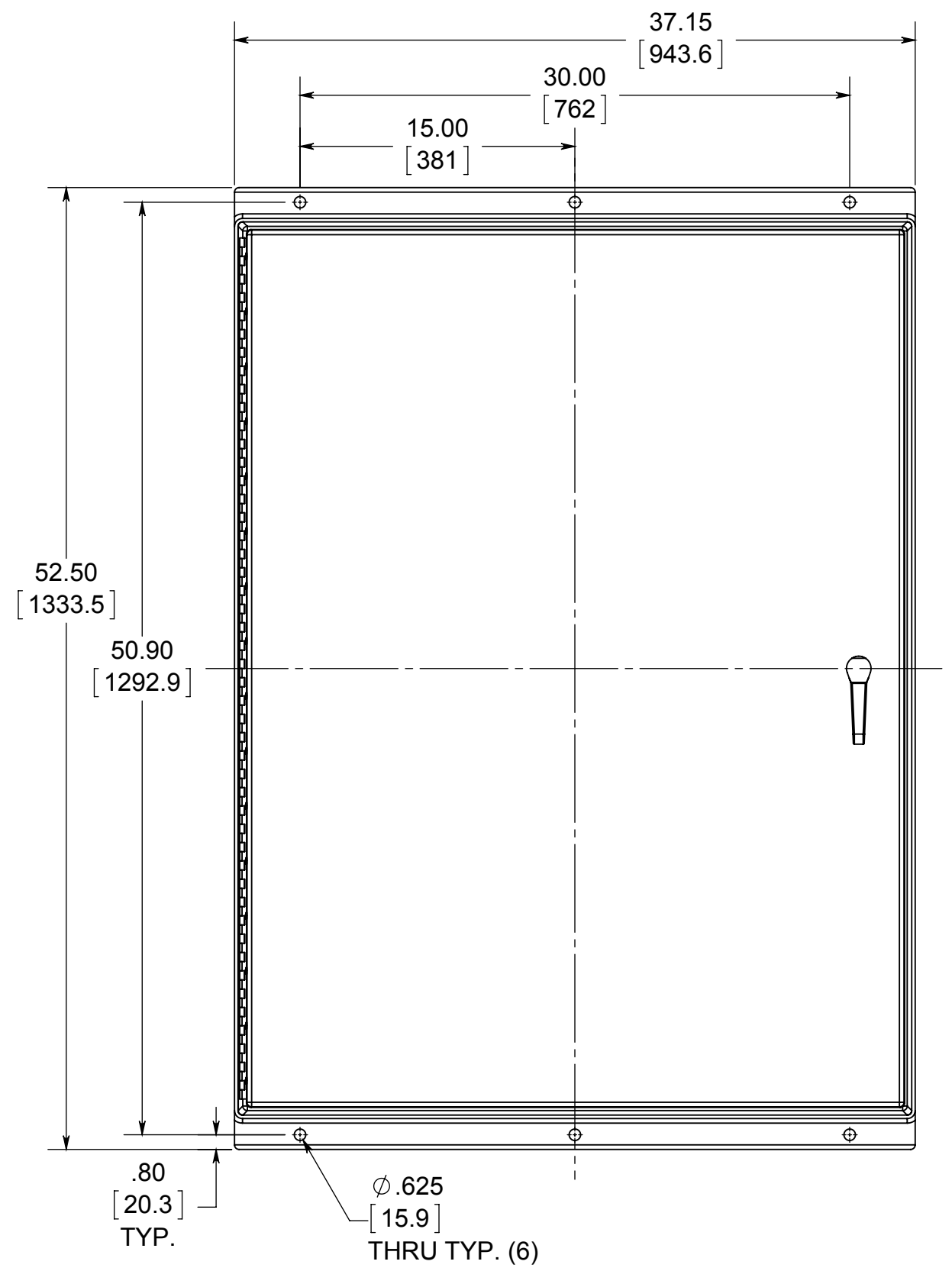
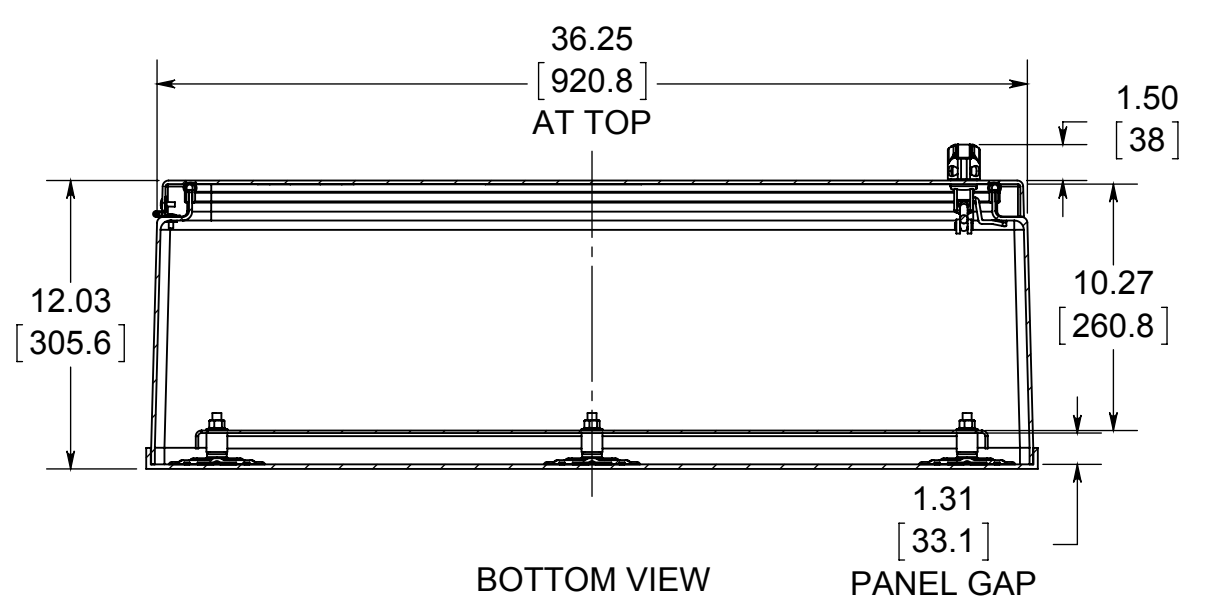


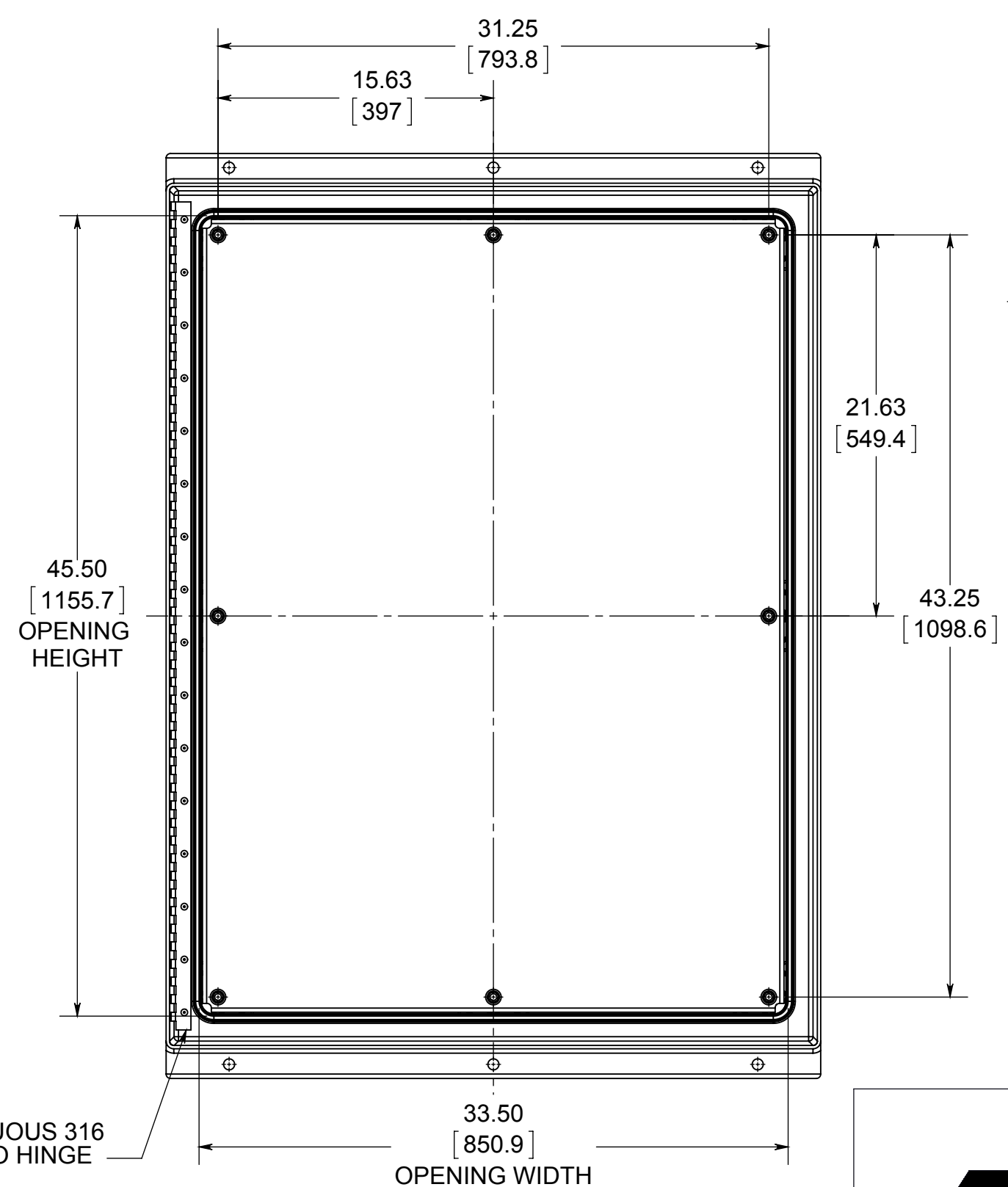
DATE	REV.	DESCRIPTION	DR	CK	REL



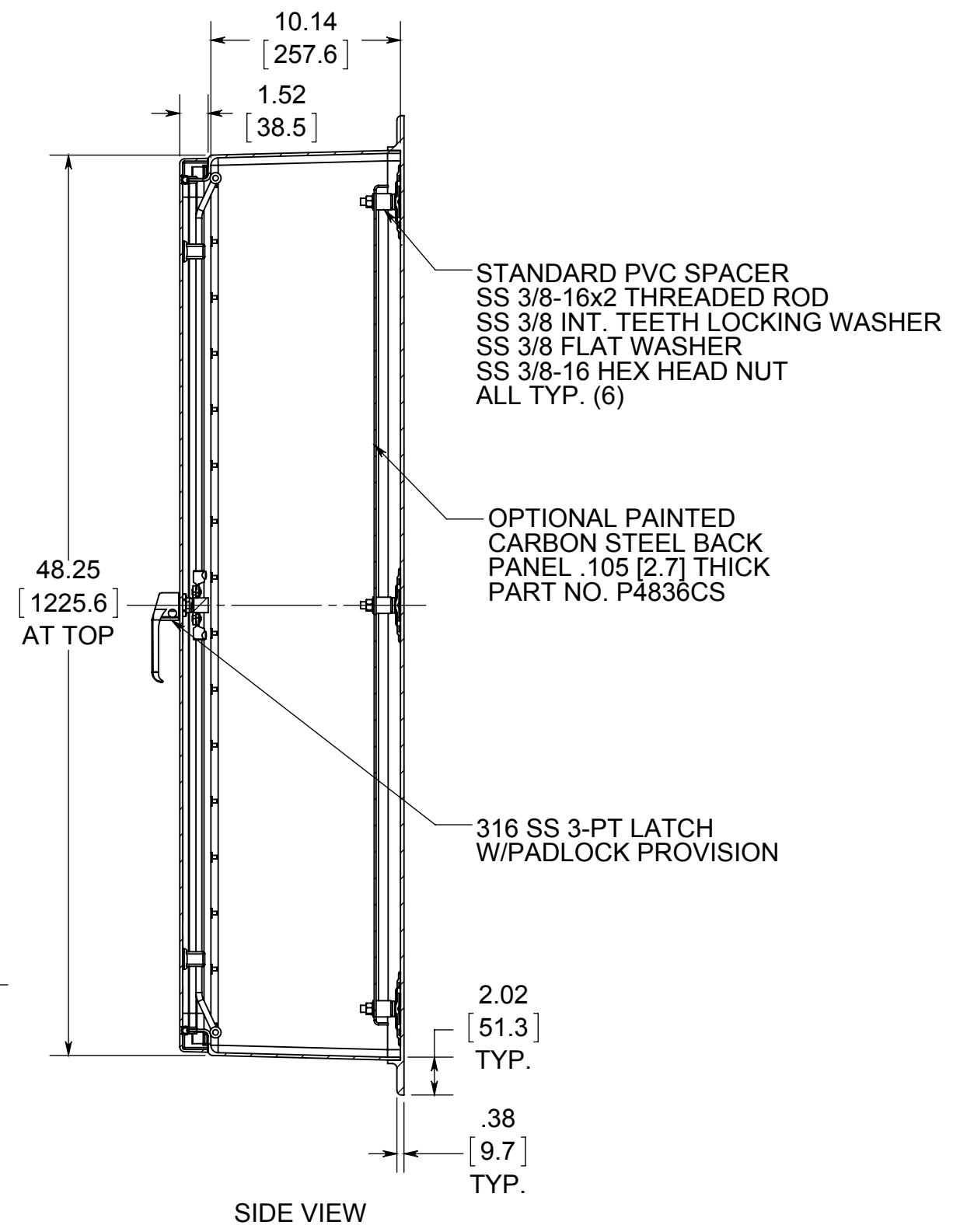
FRONT VIEW WITH COVER



BOTTOM VIEW  
PANEL GAP



FRONT VIEW WITH COVER REMOVED



SIDE VIEW

STANDARD PVC SPACER  
SS 3/8-16x2 THREADED ROD  
SS 3/8 INT. TEETH LOCKING WASHER  
SS 3/8 FLAT WASHER  
SS 3/8-16 HEX HEAD NUT  
ALL TYP. (6)

OPTIONAL PAINTED  
CARBON STEEL BACK  
PANEL .105 [2.7] THICK  
PART NO. P4836CS

316 SS 3-PT LATCH  
W/PADLOCK PROVISION

2.02  
[51.3]  
TYP.

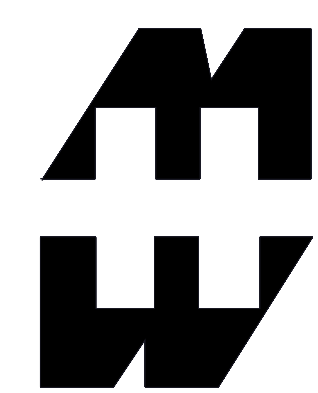
.38  
[9.7]  
TYP.

NOM. .19 [4.8] WALL THICKNESS

**MATERIAL:**

BOX- GEL-COAT, FIBERGLASS, RESIN  
COVER- GEL-COAT, FIBERGLASS, RESIN  
EPDM GASKET SEAL

CONTINUOUS 316  
SS PIANO HINGE



**PART No. PJW483610L3PT**

for more information visit  
[www.hammfg.com](http://www.hammfg.com)

Data subject to change without notice

Drawing Not to Scale