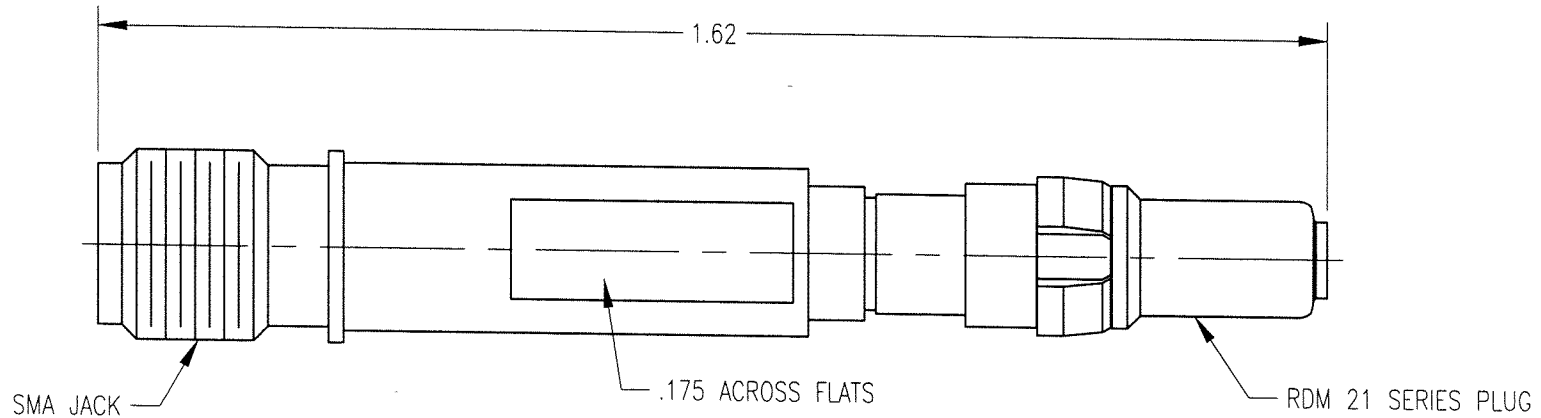


DWG. NO. 210-351-0001G			
REV	DESCRIPTION	BY	APPD
A	ECR 6633	JMC	JED



NOTES:

1. MATERIALS:

- BODIES: BRASS PER ASTM B16
- CONTACT: COPPER ALLOY
- INSULATOR: TEFLON PER ASTM D1710
- CLIP RING: BERYLLIUM COPPER PER ASTM B1194

2. FINISH:

- BODIES AND CONTACT: .000030 MIN. GOLD PER MIL-G-45204 OVER
- .000050 MIN. NICKEL PER QQ-N-290
- CLIP RING: .000100 MIN. NICKEL PER QQ-N-290 OVER COPPER FLASH

PER ASME Y14.5M-1994 UNLESS OTHERWISE SPECIFIED: DIMENSIONS ARE IN INCHES OR INCHES/MM				Litton	
TOLERANCES: DECIMALS: .xx ± 01/0.254 .xxx ± .005/0.127 ANGLES ± 2'				400 Park Road Waterbury, Connecticut 06795	
CUSTOMER DRAWING		SCALE: 4:1		Winchester Electronics/RETCONN	
DRAWN DATE CHECKED DATE KJT 3/29/99 JED 3/29/99				TITLE RDM 21 SERIES PLUG TO SMA JACK ADAPTER	
APPROVED DATE APPROVED DATE JMC 3/29/99 JMC 3/29/99				A 210-351-0001G SHT. OF REV. 1 1 A	