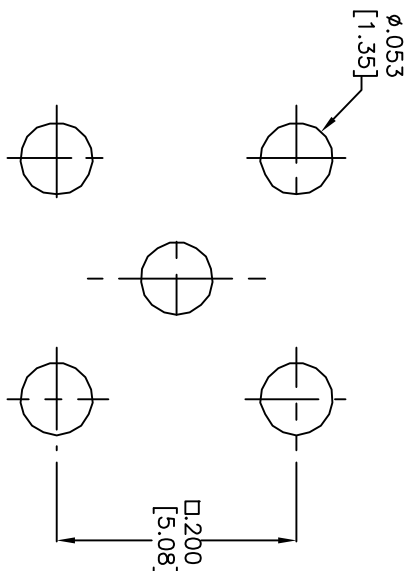
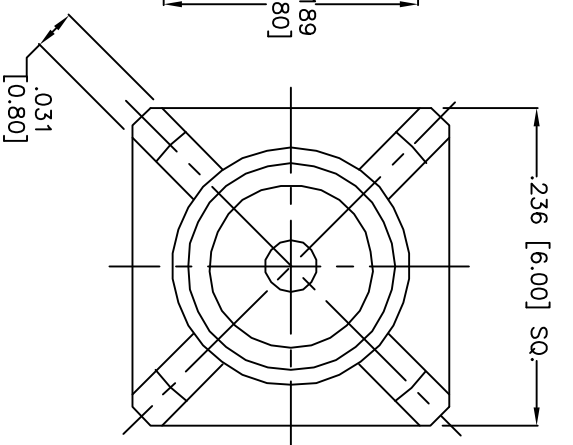
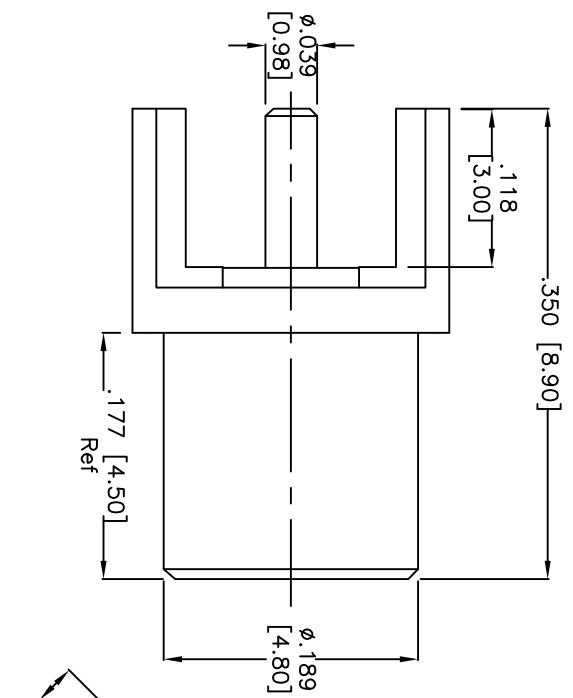


Rev	AWO #	Description	Date	Appr
-		RELEASED	2/15/11	

APPROVED: _____
 DATE: _____ TITLE: _____



RECOMMENDED PCB LAYOUT

PIN	Be Cu	GOLD
INSULATOR	TEFLON	NONE
BODY	BRASS	GOLD
DESCRIPTION	MATERIAL	FINISH

SPECIFICATIONS:
 Electrical:
 Nominal Impedance: 50 ohms
 Frequency range: 0-6 GHz
 Working Voltage: 335 VRMS max.
 Dielectric Withstanding Voltage: 1000 VRMS min.
 Contact Resistance: 5 Milliohms max. (Center Contact)
 2.5 Milliohms max. (Outer Contact)
 Insulator Resistance: 1000 Megohms min
 Operating temperature: -65°C to +155°C.
 Environmental:
 Lead free, RoHS Compliant

ADAM TECH
 909 Rahway Avenue, Union, NJ 07083
 Phone: 908-687-5000 Fax: 908-687-5710

ADAM TECH
 MCX JACK, VERTICAL, PCB MOUNT

UNLESS OTHERWISE SPECIFIED	
ALL DIMENSIONS ARE MM	
TOLERANCES: EXCEPT AS NOTED	
INCHES	HOLES
.X ± .10	Ø.X ± .10
.XX ± .020	Ø.XXX ± .015
.XXX ± .015	Ø.XXX ± .010
APPROVALS	DATE
DRAWN AY	2/15/11
CHECKED VW	2/15/11
APPROVED	

ADAM TECH
 909 Rahway Avenue, Union, NJ 07083
 Phone: 908-687-5000 Fax: 908-687-5710

SIZE	PART NO.	REV.
X	RF11-15-T-00-50-G	-
REF:	S00011T	
SCALE:	NTS	
SHEET	1 OF 1	

6 5 4 3 2 1

A B C D

